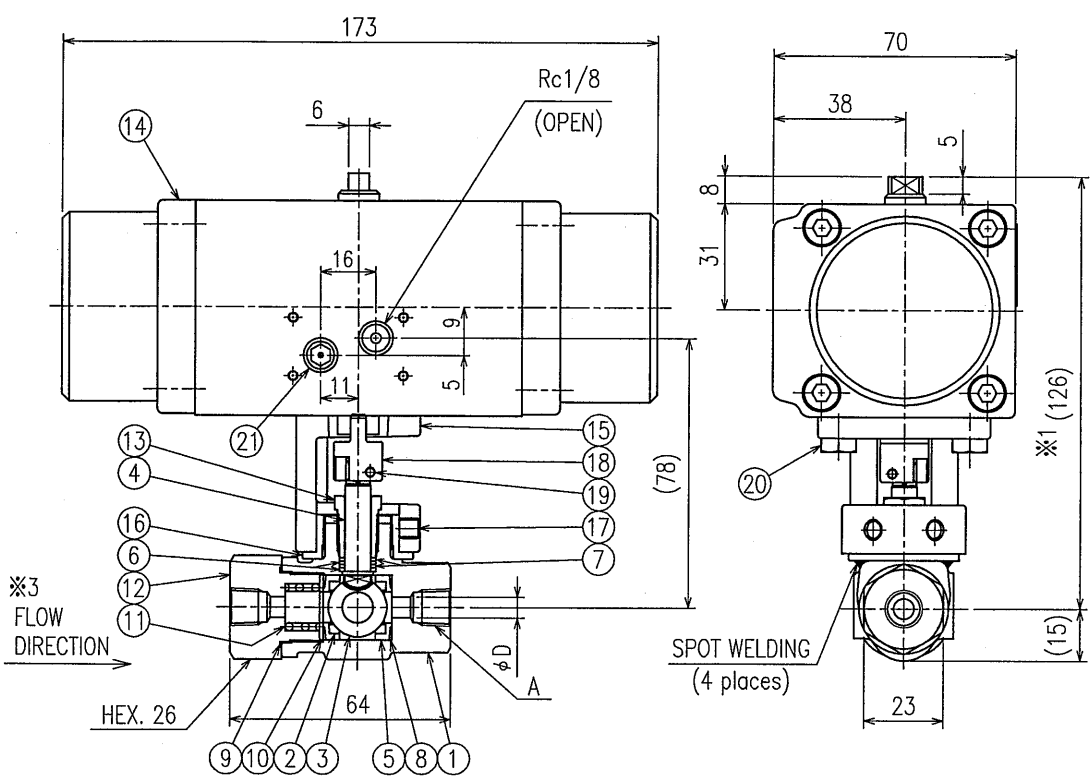
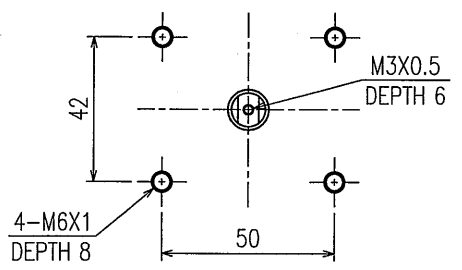


21 PLUG SUS304 1 EQUIVALENT

# SAMPLE



**BALL VALVE SPECIFICATION**

MAXIMUM WORKING PRESSURE: 14.7MPa
LINE TEMPERATURE: -10~+80°C
REMARK: LUBRICATION OIL IS FLUORINE OIL

**ACTUATOR SPECIFICATION**

MATERIAL	CYLINDER	A6063
	COVER	ADC12
	SPINDLE	SUS303
	RACK	ADC12
	O-RING	NBR
	GASKET	NBR
	SPRING	SWP-B
PRESSURE	OPERATION PRESSURE	: 0.39~0.69MPa
TEMPERATURE	ENVIRONMENTAL TEMPERATURE	: -10~+60°C
REMARK	OILER SHOULD BE USED ON CASE THAT FLUID IS DRY AIR OR NITROGED GAS.	

**Installation Posture of the Valve**  
 The valve can be installed vertically or horizontally. Please note that an actuator must come to the position higher than the horizontal level in any case.

Because this valve is a product automated by installing the air operation type actuator on the manual ball valve, it is not suitable for the usage in which the opening and shutting frequency is required. Please use it by the usage in which the opening and shutting frequency such as the shutoff valves and vent valves for the emergency is not demanded.

※1 Keep clearance at 40mm and more above actuator so that actuator can be removed from installed line for replacement.

※2 Please use the tube of which the internal diameter is 4mm and over for Operating Tubing.

※3 Opposite flow is prohibited against flow direction indicated on valve body because shut-off is not completely available.

**REVISION**

REV. NO.	DATE	REVISED DESCRIPTION	REVISED	APPD.

**REMARK** Tightening torque for set screw(No.17) : 5 N·m

NO.	NAME OF PARTS	MATERIAL	QTY	REMARK
20	HEX.BOLT	SUS304	2	EQUIVALENT
19	SET SCREW	SUS304	1	EQUIVALENT
18	JOINT	SUS304	1	
17	SET SCREW	SUS304	2	EQUIVALENT
16	CLAW	SUS304	1	
15	HOUSING	ADC12	1	
14	ACTUATOR	—	1	
13	PACKING GLAND BUSH	SUS316	1	
12	SOCKET	SUS316	1	
11	SPRING	SUS316	1	
10	WASHER	SUS316	1	
9	GASKET 1	PTFE	1	
8	GASKET	PTFE	2	
7	GLAND PACKING	G-PTFE	2	
6	BUSH	SUS316	2	
5	RETAINER	SUS316	2	
4	STEM	SUS316	1	
3	BALL	SUS316	1	
2	SEAT RING	G-PTFE	2	
1	BODY	SCS14	1	

PART NO.	NAME OF PARTS	MATERIAL	QTY	REMARK

**MATERIAL LIST**

DATE	1.9.13	TEST PRESS.	MPa		
SCALE	FREE	ITEM	FLUID	HYDRO	AIR
APPD.	<i>H. Maeda</i>	SHELL	22.1		
CHKD.	<i>H. Maeda</i>	SEAT			16.2
DESIGN	<i>M. Sawada</i>	BACKSEAT			16.2
		SEAL			16.2

RECIPIENT	
MODEL NO.	
TRADEMARK OR MODEL NAME	
NAME	STAINLESS STEEL 14.7MPa AIR CYLINDER OPERATED SPRING BACK TYPE BALL VALVES
DRG NO.	U241191E REV.MARK <span style="border: 1px solid black; padding: 2px;">0</span>

**Fujikin Incorporated**  
 株式会社 フジキン

NOMINAL DIA	A	B	D	A	Cv VALUE (MAX.)	MASS (kg)	ITEM No.
6	1/8	6	1/8NPT	1.6	2.3	APR-UBV-115AN-MAE	
8	1/4	9	1/4NPT	3.6	2.3	APR-UBV-115BN-MAE	
10	3/8	9	3/8NPT	3.6	2.3	APR-UBV-115CN-MAE	