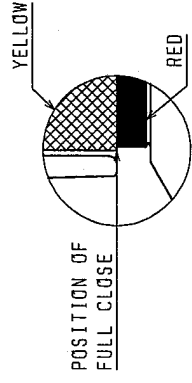
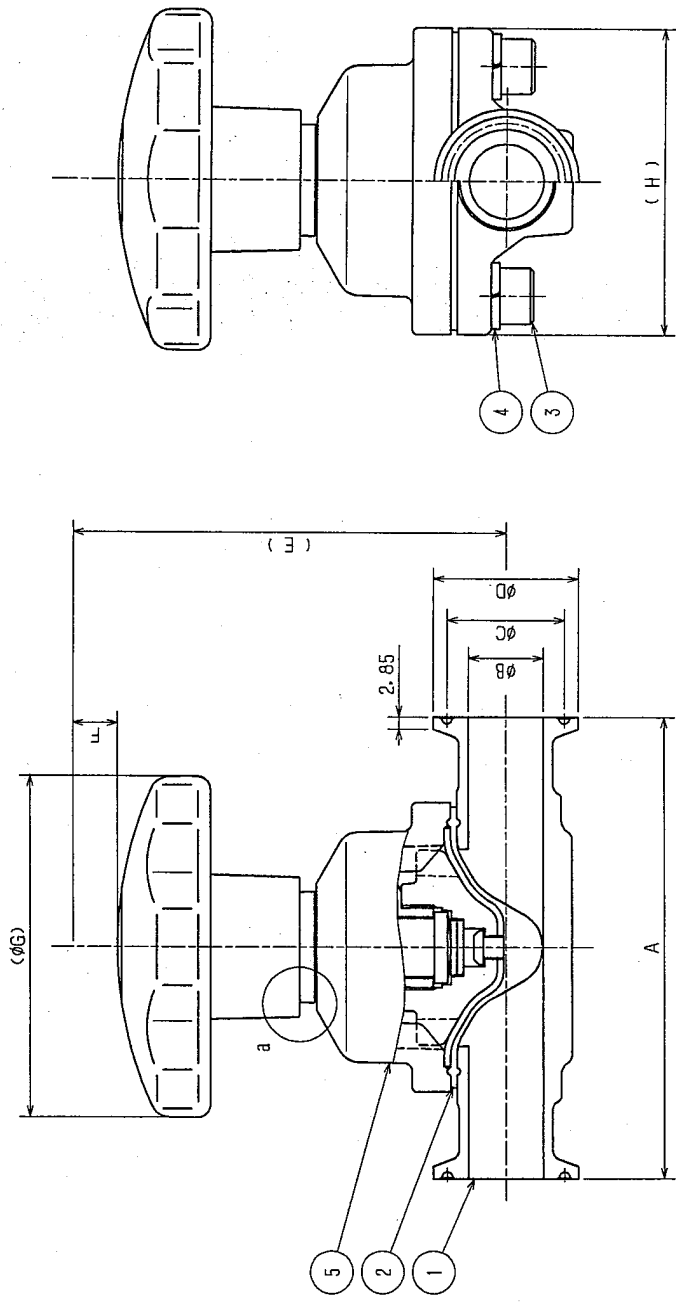


図 考 参 閱



SPECIFICATION OF DIAPHRAGM
 TEMPERATURE 0~150°C
 PRESSURE 0.6~0.37MPa

SPECIFICATION OF BODY POLISHING
 INTERNAL: #400 BUFF + E.P.
 EXTERNAL: E.P. (SURFACE REMAIN FORGED)



SIZE	A	B	C	D	E	F	G	H	ITEM NO.
8A	90	10.5	27.5	34	86	6.5	65	48	BSW-A1-7B
15A	108	17.5	27.5	34	102	10.5	80	72	BSW-A1-7D
1S	127	23	43.5	50.5	121	14	110	90	BSW-A1-7F

REVISION				
REV. NO.	DATE	REVISED DESCRIPTION	REVISED	APPD.

REMARK DIMENSIONS IN PARENTHESIS IS FOR REFERENCE.
 DIMENSIONS OF FERULE CONFORMS TO ISO.
 THIS DRAWING SHOWS ONLY OUTSIDE DIMENSIONS.
 AS TO INSIDE STRUCTURE AND PARTS LIST.
 PLEASE REFER TO ATTACHED DRAWING.

DRG. NO. U194399E

PART. NO.	NAME OF PARTS	MATERIAL	QTY	REMARK
15				
14				
13				
12				
11				
10				
9				
8				
7				
6				
5	ACTUATOR	ADC12	1	PIE COATED
4	WASHER	SUS304	4	
3	CAP BOLT	SUS304	4	
2	DIAPHRAGM	PIFE/FPM	1	
1	BODY	SUSF316L	1	

MATERIAL LIST				
DATE	TEST PRESS.	TEST FLUID	HYDRO	MPa
01.4.13				
SCALE	FREE			GN 2
APPD.	J. Sato	SHELL	0.9	
CHKD.	T. Okawa	SEAT	0.6	
DESIGN		BACKSEAT		
RECIPIENT		SEAL		0.6

MODEL NO.	
TRADEMARK OR MODEL NAME	
NAME	STAINLESS STEEL CLAMP TYPE DIAPHRAGM VALVE
DRG. NO.	U194415E
REV. MARK	0

Fujikin Incorporated
 株式会社フジキン

170 BSWM 1 CAB. NO.

ASBSW01

CONTRAST TABLE	UNIT (mm)											
	100	125	150	200	250	300	350	400	450	500	550	600
	10	15	20	25	32	40	50	65	80	90	100	125
	1/16	1/8	3/16	1/4	5/16	3/8	1/2	5/8	3/4	7/8	1	1 1/8
	0.625	1.25	1.875	2.5	3.125	3.75	4.375	5.0	5.625	6.25	6.875	7.5