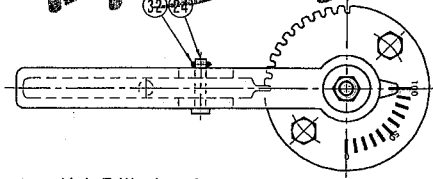
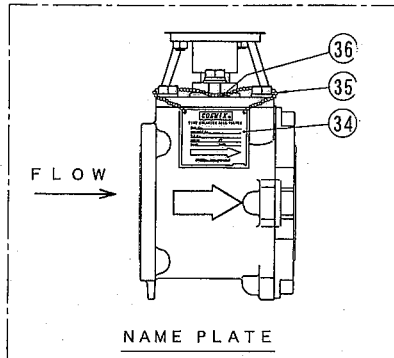


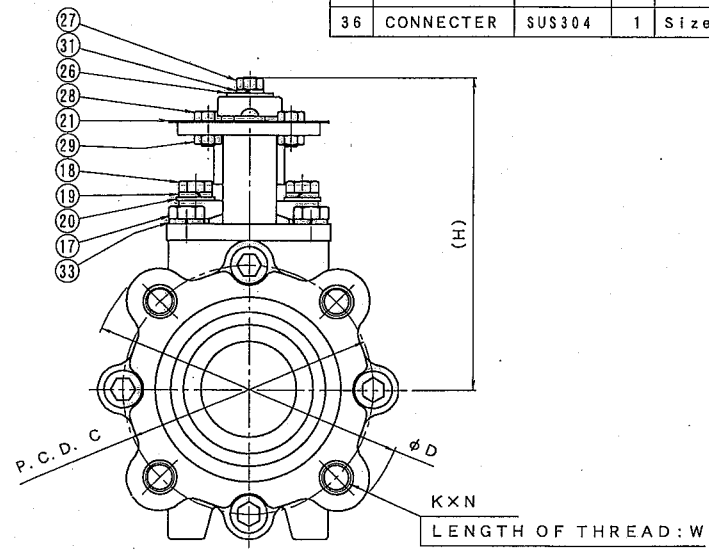
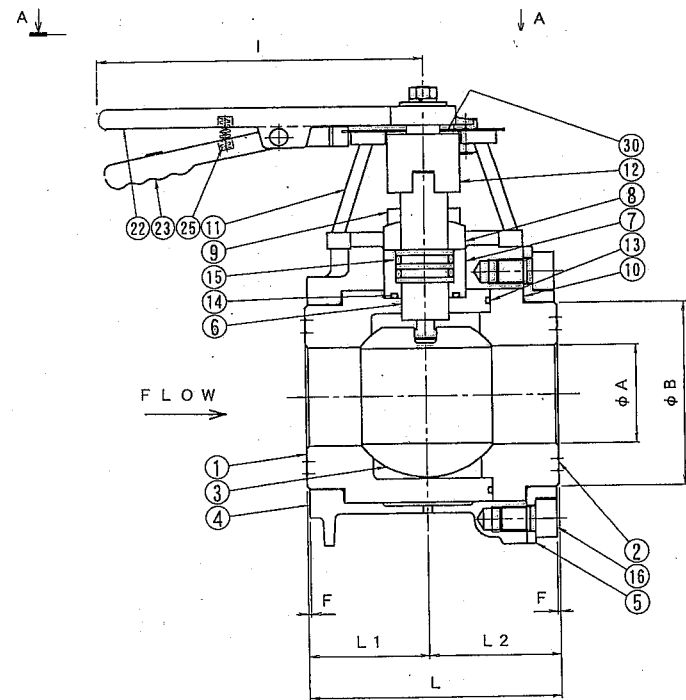
# 御参考図



VIEW A-A



NAME PLATE



Note  
 1) The character which shows Flange Connection Standard is on ※1.  
 (i.e. J: JIS 10K  
 A: ANSI 150  
 D: DIN PN 10)  
 2) Cv Value goes into ※2. (UNIT: mm)

21	INDICATOR	SUS304	1		
22	HAND LEVER	AC2A	1		
23	STOPPER	AC2A	1		
24	PIN	SUS304	1		
25	SPRING	SUS304WPB	1		
26	WASHER	SUS304	1		
27	HEXAGON NUT	SUS304	1		
28	HEXAGON BOLT	SUS304	2	M8X16	
29	HEXAGON NUT	SUS304	2	M8	
30	SPACER	PTFE	1~2		
31	SPRING WASHERS	SUS304	1		
32	SPLIT PIN	SUS304	1	2X32	
33	SPRING WASHERS	SUS304	4		
34	NAME PLATE	SUS304	1		
35	BALL CHAIN	SUS304	1	φ3.2	
36	CONNECTER	SUS304	1	Size 3.2	

REVISION		改訂		REV. MARK	DATE	CONTENTS	REVISION	APPD.
		改訂内容			日付		改訂承認	
				△	7-27-09	Configuration change of CYLINDER	H. Noda	H. Noda

REMARK 備考 Please refer to CONTROL VALVE

DATA SHEET for TEST PRESSURE.			
20	WASHERS	SUS304	2
19	SPRING WASHERS	SUS304	2
18	HEXAGON BOLT	SUS304	2
17	HEXAGON BOLT	SUS304	4
16	CAP BOLT or BOLT	SUS304	4
15	ORING	FKM	2
14	ORING	FKM	1
13	ORING	FKM	1
12	JOINT	SUS304	1
11	YOKE	SCS13 or SUS304	1
10	SHEET PACKING	PTFE	2
9	GLAND FLANGE	SCS13	1
8	GLAND BUSH	C-PTFE	1
7	PACKING BOX	C-PTFE	1
6	STEM	NO6022	1 (HASTELLOY C-22)
5	FLANGE	SCS13	1
4	CYLINDER	SCS13	1
3	BALL	CERAMICS	1 Al <sub>2</sub> O <sub>3</sub>
2	SOCKET	CERAMICS	1 Al <sub>2</sub> O <sub>3</sub>
1	BODY	CERAMICS	1 Al <sub>2</sub> O <sub>3</sub>

MATERIAL LIST		材料表	
DATE	日付	SEP. 29. '04	
SCALE	尺度	FREE	
APPD.	承認	K. Onda	
CHKD.	検査	H. Noda	
DESIGN	設計	H. Noda	
RECIPIENT	納入先		
ITEM NO.	品番	CBV3-※1 F~I -O ※2-FKJ TYPE	
TRADEMARK OR TRADE NAME	商標又は商品名	COSMIX®	
NAME	名称	FINE CERAMICS MANUAL OPERATE ON-OFF TYPE BALL VALVES	
DRG. NO.	図番	C24563E	
		Fujikin Incorporated 株式会社 フジキン	

NOMINAL SIZE	JIS 10K										ANSI 150				DIN PN10				ITEM No.	MASS Approx (kg)				
	A	B	A	B	D	L	L1	L2	F	H	I	C	K	N	W	C	K	N			W	C	K	N
25	1	23	56	125	85	39	46	1.5	143	176	90	4	M16	13	79.3	4	UNC 1/2	13	85	4	M12	13	CBV3-※1 F-O24-FKJ	5.5
40	1 1/2	36	76	140	111	50	61	1.5	158	182	105	4	M16	16	98.6	4	UNC 1/2	13	110	4	M16	16	CBV3-※1 H-O55-FKJ	8.5
50	2	44	94	155	120	57	63	1.5	164	182	120	4	M16	16	120.7	4	UNC 5/8	16	125	4	M16	16	CBV3-※1 I-O90-FKJ	11

CAREER	呼び番号	呼び径 (A呼称)												呼び径 (B呼称)												呼び径 (mm)												
		6	8	10	15	20	25	32	40	50	65	80	90	100	125	150	175	200	225	250	1/8	1/4	3/8	1/2	3/4		1	1 1/4	1 1/2	2	2 1/2	3	3 1/2	4	5	6	(7)	8
		10.5	13	8	17	3	21	7	27	2	34	0	42	7	48	6	60	5	76	3	89	1	101	6	114	3	139	8	165	2	190	7	216	3	241	8	267	4