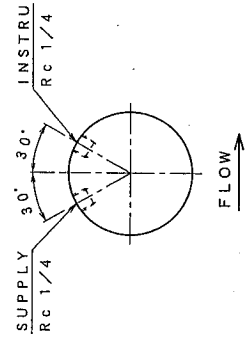
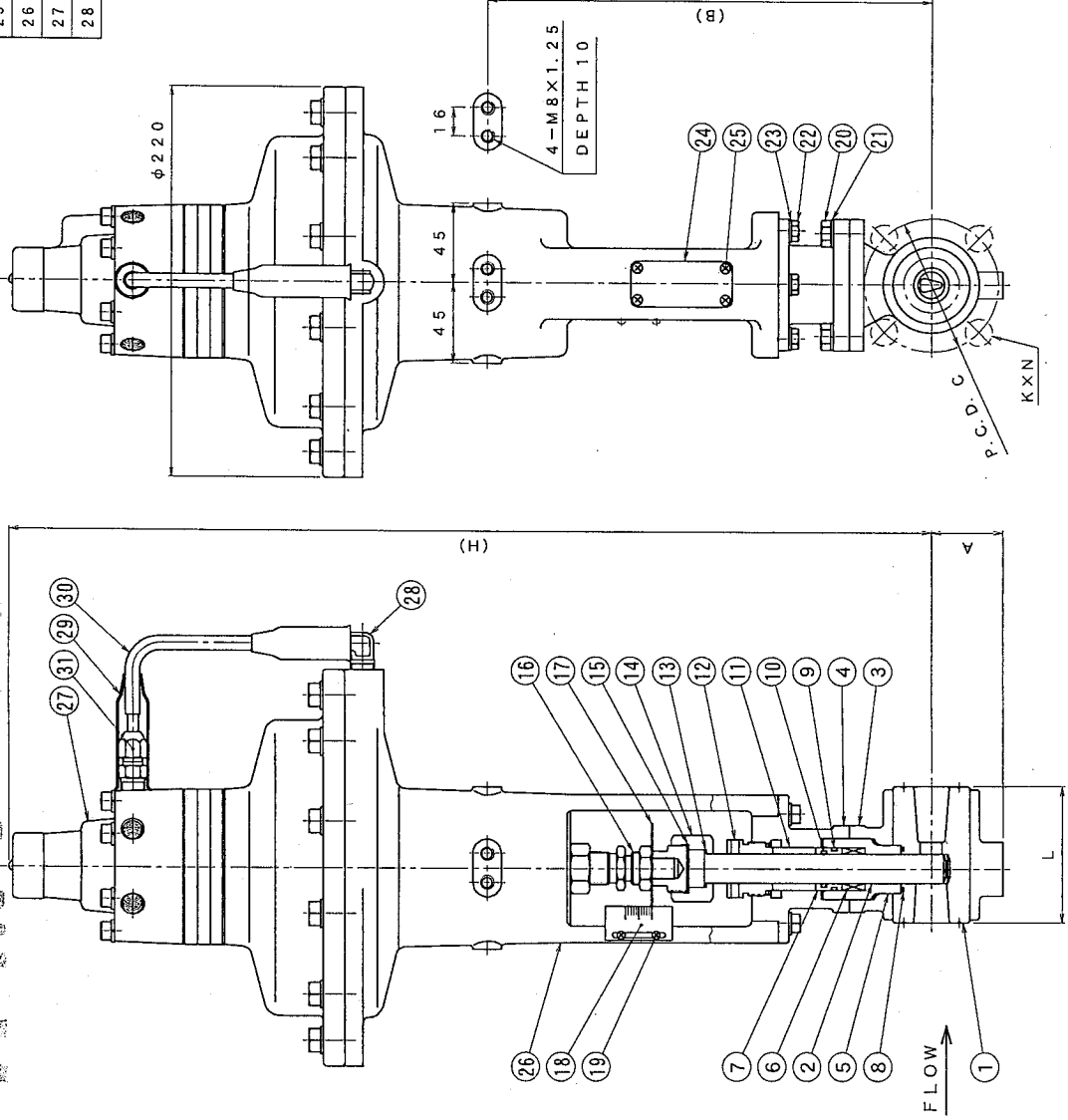


# SAMPLE



Note  
 1) Flange Connection conforms to the following Standard.  
 - JIS 10K, 20K  
 - ANSI 150, 300  
 - DIN PN 10, 16  
 2) Cv Value goes into ※1.

( UNIT : mm )

SIZE	mm		inch		ANSI 150		ANSI 300		DIN PN10, 16		ITEM NO.		
	A	B	H	L	C	K	N	C	K	N	C	N	
15	64	507	35	243	70	4	M12 60.5	4	UNC 1/2 66.6	4	UNC 1/2 65	4	M12 CP-D-※1
20	76	516	40	252	75	4	M12 69.9	4	UNC 1/2 82.6	4	UNC 1/2 75	4	M12 CP-E-※1
25	102	530	45	266	90	4	M16 79.3	4	UNC 1/2 88.9	4	UNC 1/2 85	4	M12 CP-F-※1

CARRIER	TYPE	UNIT (mm)		THE THIRD ANGLE	
		UNIT (mm)	UNIT (mm)	第三角法	第三角法
803/cm2/c191496	803/cm2/c191496	803/cm2/c191496	803/cm2/c191496	第三角法	第三角法

REV. NO.	DATE	CONTENTS	REVISION APPD.
△			
△			
△			
△			

REV. NO.	DATE	CONTENTS	REVISION APPD.
△			
△			
△			
△			

備考 Please refer to CONTROL VALVE.

DATA SHEET for TEST PRESSURE.

ITEM NO.	DESCRIPTION	QTY	REMARK
20	HEXAGON BOLT SUS304	4	
19	SET SCREW SUS304	2	M3X5
18	INDICATOR SCALE SUS304	1	
17	INDICATOR SUS304	1	
16	ADJUSTER SUS304	1	
15	THRUST PACKING PTFE	1	
14	DISK CAP SUS304	1	
13	SHEET PACKING NBR	1	
12	GLAND SUS304	1	
11	SPACER C-PTFE	1	
10	O RING FKM	1	
9	O RING FKM	1	
8	O RING FKM	1	
7	ORING HOLDER C-PTFE	1	
6	GLAND PACKING PTFE	1SET	
5	PACKING BOX CERAMICS	1	Al2O3
4	LID SC13	1	
3	HOUSING SC13	1	
2	STEM CERAMICS	1	Al2O3
1	BODY CERAMICS	1	Al2O3

MATERIAL LIST

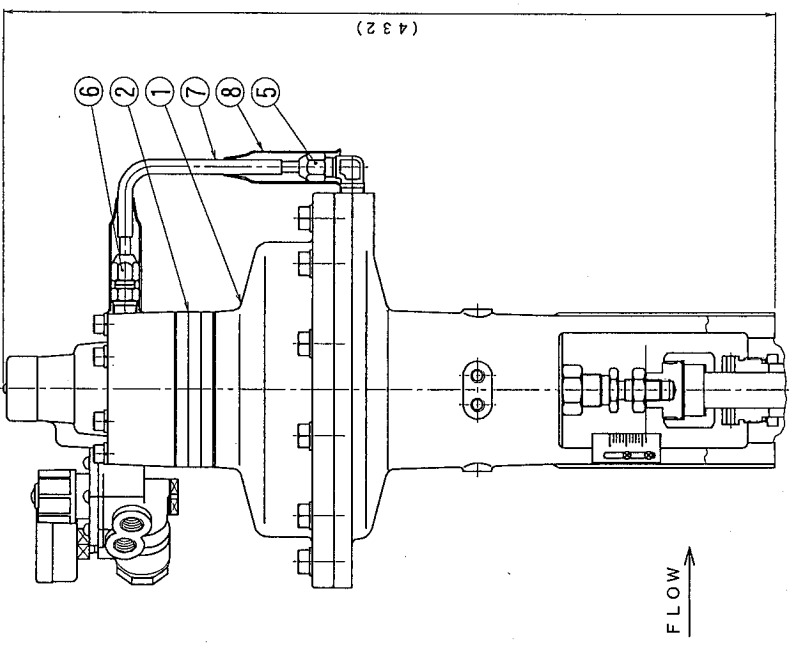
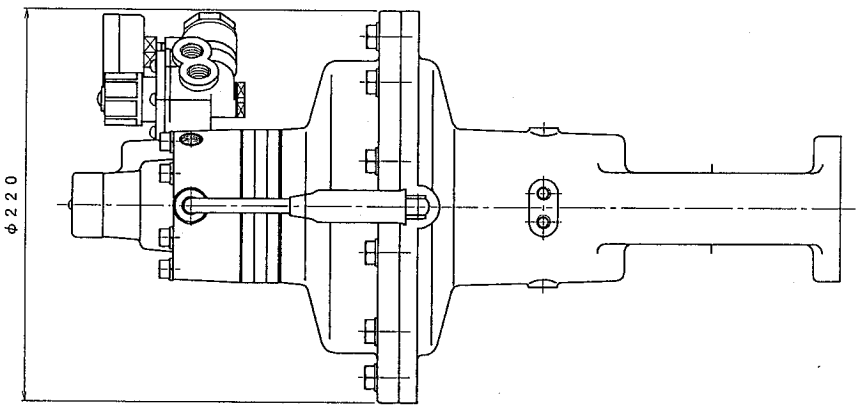
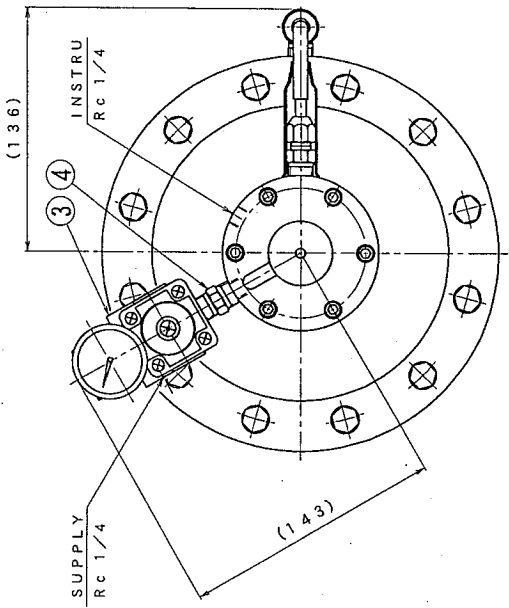
DATE	SCALE	APPD.	CHKD.	DESIGN	RECIPIENT	ITEM NO.	ITEM NAME	TRADE MARK OR	TRADE NAME	PRODUCT NAME
5.12.06	FREE					CP-D~F	TYPE			COSMIX®

DATE	SCALE	APPD.	CHKD.	DESIGN	RECIPIENT	ITEM NO.	ITEM NAME	TRADE MARK OR	TRADE NAME	PRODUCT NAME
5.12.06	FREE					CP-D~F	TYPE			COSMIX®

DATE	SCALE	APPD.	CHKD.	DESIGN	RECIPIENT	ITEM NO.	ITEM NAME	TRADE MARK OR	TRADE NAME	PRODUCT NAME
5.12.06	FREE					CP-D~F	TYPE			COSMIX®

# SAMPLE



REV. MARK	DATE	CONTENTS	REVISION APPD.
△		改訂内容	改訂承認
△			
△			
△			

REMARK
備考

NO.	PART NAME	MATERIAL	QTY	REMARK
15				
14				
13				
12				
11				
10				
9				
8	CAP	PVC	2	
7	TUBE		1	
6	R JOINT		1	RH-6B
5	R JOINT		1	RL-6B
4	JOINT	SUS 304 DF.SCS.13	1	R 1/4
3	REGULATOR		1	SSS
2	POSITIONER		1	SIEMENS 73N-B1
1	ACTUATOR		1	

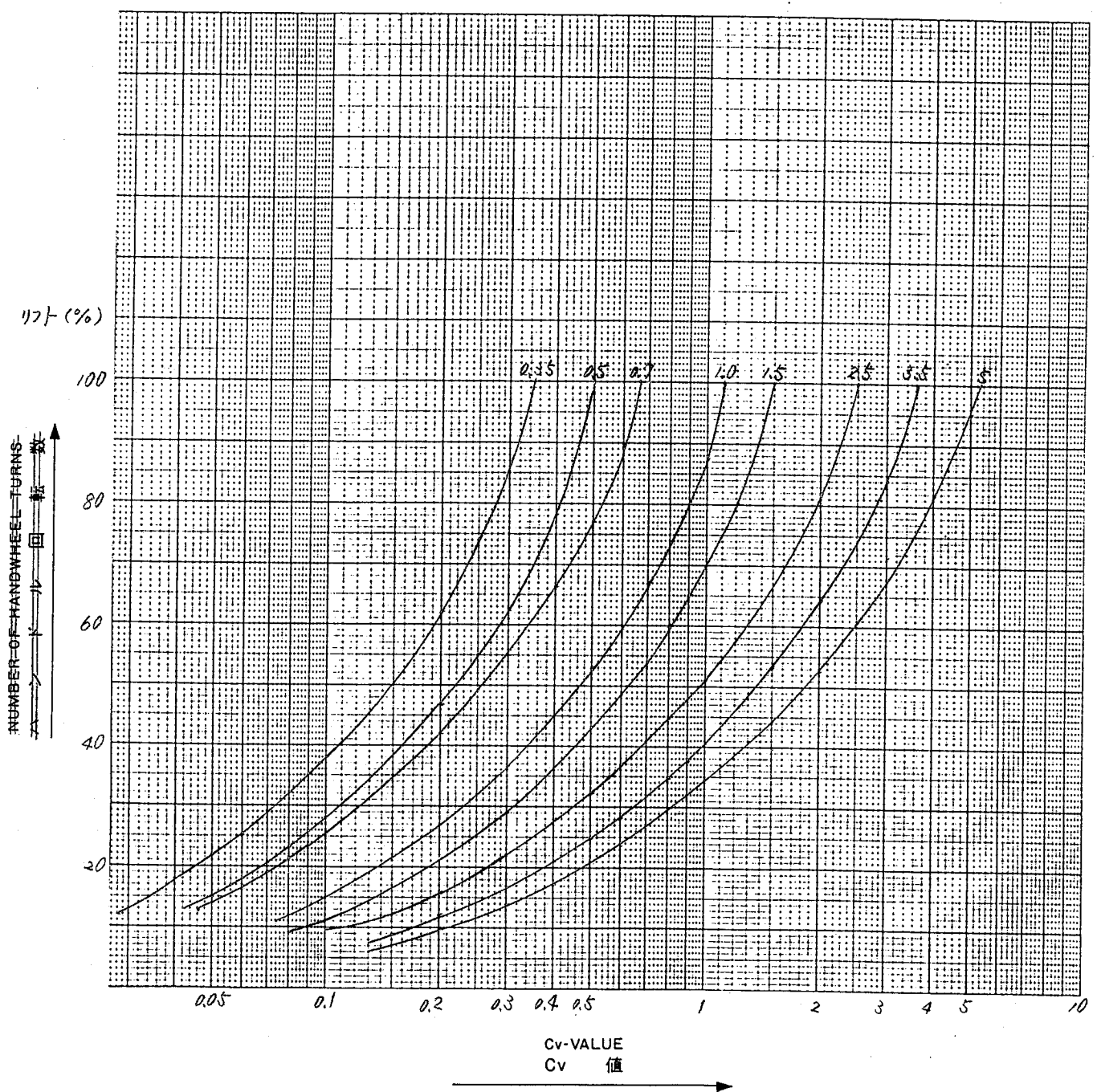
MATERIAL LIST	
DATE	5.12.06
SCALE	FREE
APPD.	K. D. 20
CHKD.	J. H. 20
DESIGN	S. Chikachi
RECIPIENT	
ITEM NO.	CP-D~F~AS TYPE
TRADE MARK OR	COSMIX®
TRADE NAME	
NAME	SPRING BACK TYPE ACTUATOR WITH P/P POSITIONER & REGULATOR
ORG. NO.	C19144E

TYPE	FORM	UNIT (mm)	THE THIRD ANGLE	第三角法
803/cm2/c19144E				
CAR. NO.				
REV. MARK	改訂			
0				

# SAMPLE

NO. TD04-940304-01 0

Cv-VALUE CURVE  
Cv値曲線図



△					DATE 日付	1994.03.04
△					APPROVED 承認	H. Maeda
MARK	DATE	CONTENTS	REVISED	APPD.	CHECKED 確認	M. Makino
		改訂 REVISION				
NAME 品名		ITEM. NO. 品番		DRAWN 作成		
セラミックコントロールバルブ (1/2B)		AD-CM-22D CP-D AD-CM2-22D ADR-CM-22D ADR-CM2-22D		M. Aoki		
REMARK 備考				DRW. NO. 図番	Fujikin Incorporated 株式会社 <b>フジキン</b> ®	
				TD04-940304-01	REV. MARK 改訂	△ 0
CAREER 来歴						CAB. NO.