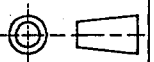


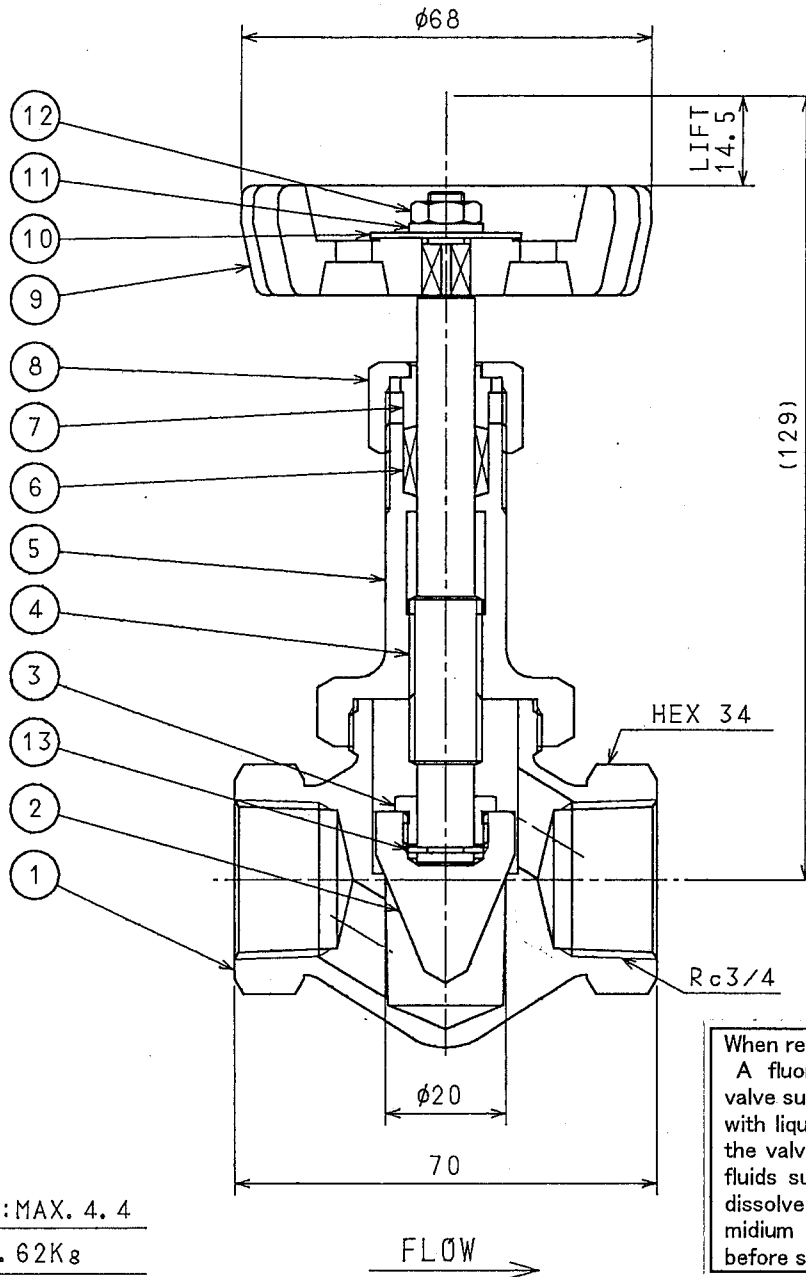
RECIPIENT _____

UNIT (mm)

THE THIRD ANGLE



REMARK



REMARK

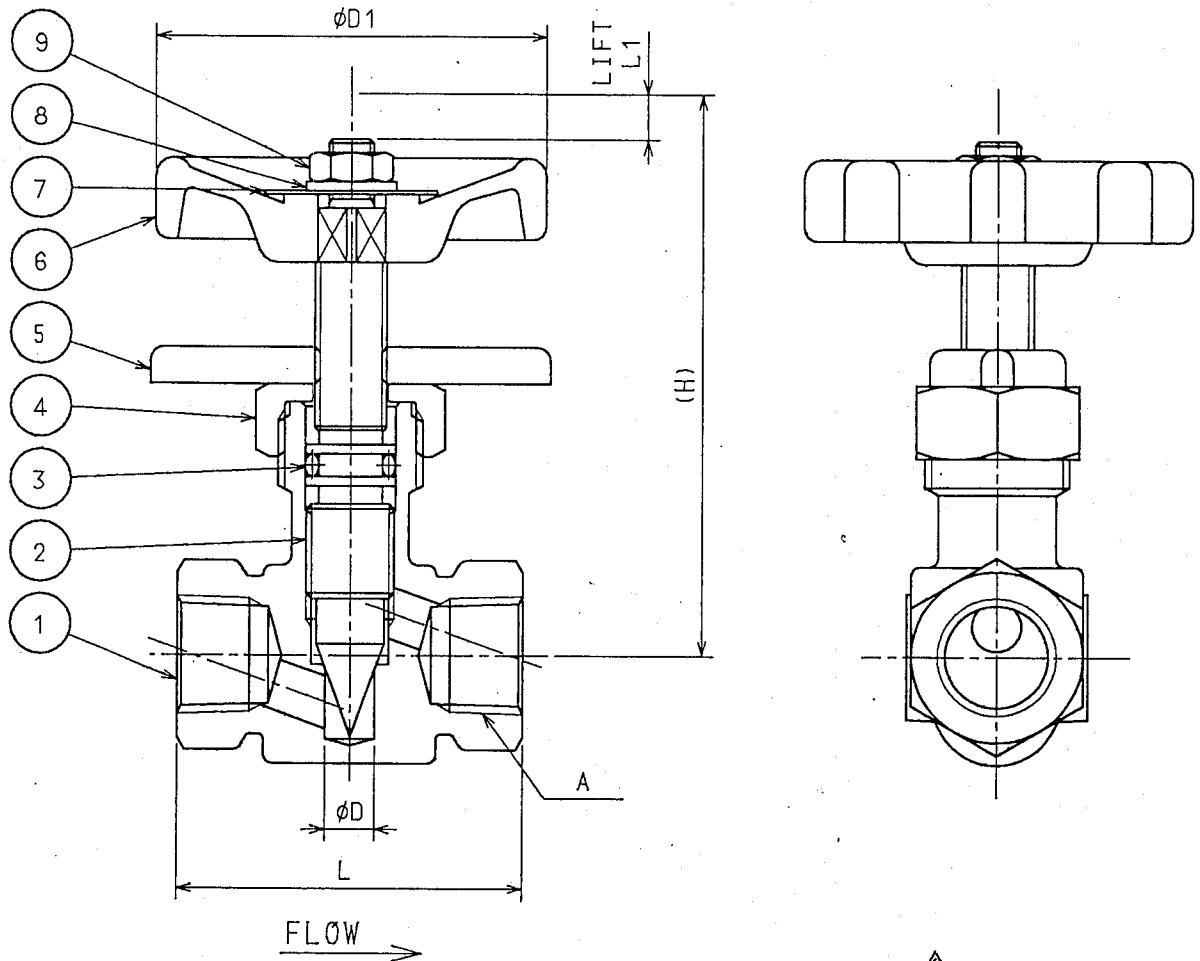
1. CV VALUE : MAX. 4.4
2. Mass : 0.62Kg

When ready to select a valve
A fluorine lubricant is used on valve surfaces that come in contact with liquid or gas media. Therefore, the valve is not suited for use with fluids such as solvents that might dissolve the lubricant. If unsure of medium reactions, contact Fujikin before selecting this valve.


NO.	DATE	CONTENTS	REVISED	APPD.	PART. NO.	NAME OF PARTS	MATERIAL	QTY	REMARK	G.T. NO.	
△	'06-05-24	CHANGE OF MATERIAL	S. Obora	[Signature]	14						
△	'02-03-22	Addition	S. Obora	[Signature]	13	E-RING	SUS304	1			
△	'99-10-14	Changed to a unit of SI	Y. Hoshino	[Signature]	12	HEX NUT	C3604B	1			
					11	WASHER	SK5	1	Zn PLATING	△	
REVISION					10	NAME PLATE	A5052P	1			
DATE	'92-04-23	TEST PRESSURE	MPa	HYDRO	AIR	9	HANDLE	ADC 12	1	GOLD	
SCALE	FREE		SHELL	2.94		8	GLAND NUT	C3604B	1		
APPD.	J. Hita		SEAT		2.16	7	PACKING GLAND BUSH	C3604B	1		
CHKD.	Y. Honmura		BACK SEAT			6	GLAND PACKING	PTFE MOLD	1SET	OR PTFE + GRAPHITE	△
DESIGN	S. Nambu		SEAL		2.16	5	BONNET	C3771B	1		
ITEM NO.	DH-12E				4	STEM	C3604B	1			
TRADEMARK					3	DISK STEM NUT	C3604B	1			
NAME	BRASS 1.96MPa -Rc3/4 SCREWED TYPE NEEDLE VALVE				2	DISK	C3604B	1			
Fujikin Incorporated 株式会社 フジキン					1	BODY	C3771B	1			
					MATERIAL LIST						
					DRG. NO.	D141077E			REV. MARK	3	
					052	DHBH					
					DH-12E-KUMIZU 1			CAB. NO.	1-11		

REMARK

※1 THE PAINTING COLOR OF 1/8B IS BLACK.



NOMINAL DIA.	D	L	A	H	L1	D1	Cv VALUE (MAX.)	Mass (kg)	ITEM NO.
1/8B	5.5	38	Rc1/8 (PT1/8)	60	5	43	0.38	0.16	DH-12LA
1/4B	5.5	38	Rc1/4 (PT1/4)	60	5	43	0.51	0.15	DH-12LB
3/8B	7.5	47	Rc3/8 (PT3/8)	67	7	50	1.0	0.22	DH-12LC

NO.	DATE	CONTENTS	REVISED	APPD.	14	13	12	11	10
△	'00-02-25	Changed to a unit of SI.	g. Nakamura	<i>[Signature]</i>					
REVISION									
DATE	'90-06-28	TEST PRESSURE	MPa	HYDRO	AIR	9	HEX NUT	C3604B	1
SCALE	FREE	△	SHELL	2.94		8	WASHER	SK5	1 Zn PLATING
APPD.	<i>[Signature]</i>		SEAT		2.16	7	NAME PLATE	A5052P	1
CHKD.	R. Murakami		BACK SEAT			6	HANDLE	ADC12	1 BLACK OR GOLD ※1
DESIGN	S. Nagusa		SEAL		2.16	5	PROPELLER NUT	C3713P	1
ITEM NO.						4	GLAND NUT	C3604B	1
TRADEMARK						3	O RING	NBR	1
						2	STEM	C3604B	1
						1	BODY	C3771B	1
NAME BRASS △ 1.96MPa SCREWED TYPE NEEDLE VALVES WITH PROPELLER NUT.					PART. NO.	MATERIAL LIST			
Fujikin Incorporated 株式会社 フジキン					DRG. NO.	D14065E			REV. MARK 
CAREER	'94-12-01 REWRITE	S. NAGUSA	052	DHBH	DH-12A-C		5	CAB. NO.	1-11