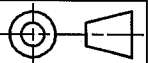


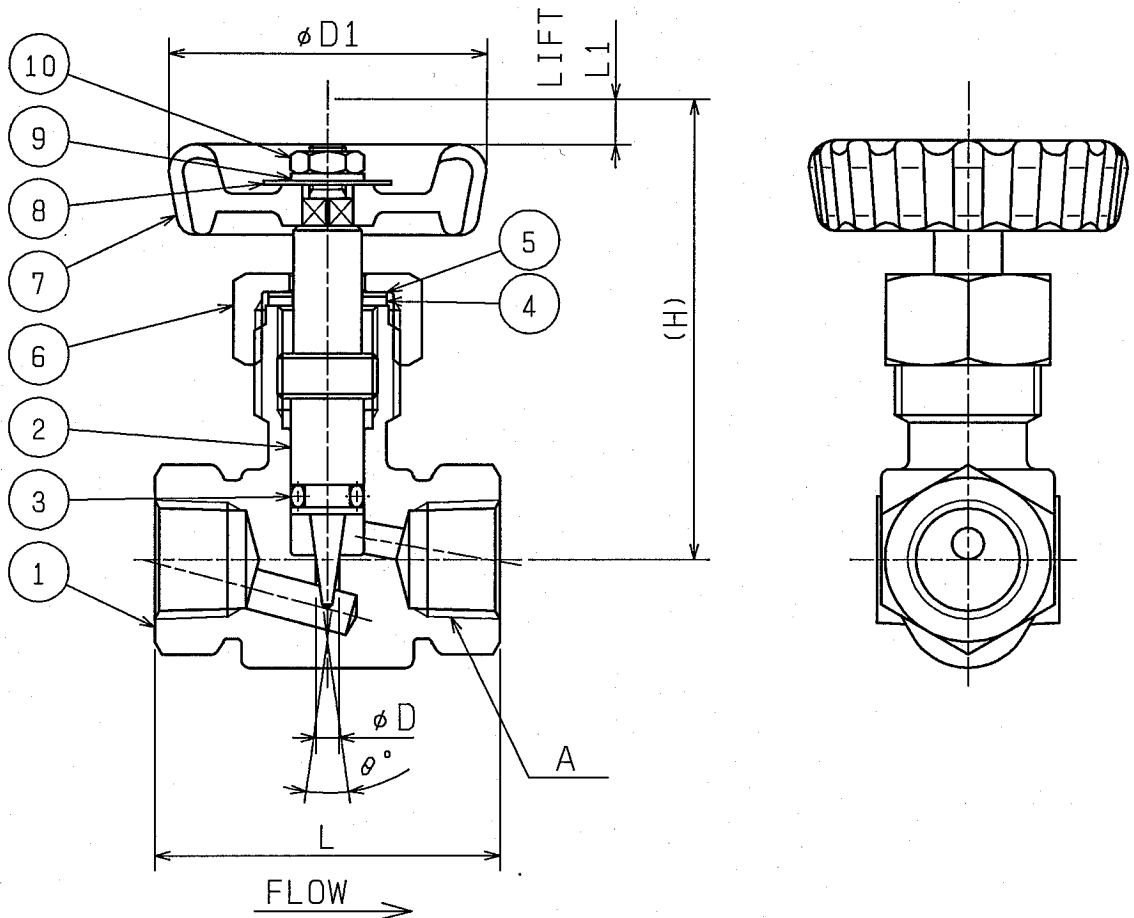
RECIPIENT

UNIT (mm)

THE THIRD ANGLE



REMARK



NOMINAL DIA.		D	θ	L	A	H	L1	D1	CV VALUE (MAX.)	MASS (kg)	ITEM NO.
A	B										
6	1/8	2.5	16°	38	Rc1/8	51	5	35	0.16	0.14	DUE-12A
8	1/4	2.5	16°	38	Rc1/4	51	5	35	0.16	0.13	DUE-12B
10	3/8	2.5	16°	47	Rc3/8	62	7	35	0.20	0.20	DUE-12C

REV. NO.	DATE	REVISED DESCRIPTION	REVISED	APPD.	14				
5	10.09.07	Changed to a unit of SI.		<i>S. Obarra</i>	13				
REVISION					12				
DATE	6.27.90	TEST PRESS.	MPa		11				
SCALE	FREE	ITEM	FLUID	HYDRO	AIR	10	HEX NUT	C3604B	1
APPD.	<i>S. Obarra</i>	SHELL		2.94		9	WASHER	SK5	1
CHKD.	<i>S. Obarra</i>	SEAT			2.16	8	NAME PLATE	A5052P	1
DESIGN	<i>S. Obarra</i>	BACKSEAT				7	HANDLE	ADC12	1
MODEL NO.		SEAL			2.16	6	GLAND NUT	C3604B	1
TRADEMARK OR MODEL NAME						5	SHEET PACKING	NYLON	1
NAME	BRASS 1.96MPa SCREWED TYPE NEEDLE VALVES				4	BUSH	A5052P	1	
	Fujikin Incorporated 株式会社 フジキン				3	O RING	NBR	1	
CAREER					2	STEM	SUS 304 OR SUS 303	1	
					1	BODY	C3771B	1	
					PART. NO.	NAME OF PARTS	MATERIAL	QTY	REMARK
					MATERIAL LIST				
					DRG. NO.	D14649E	REV. MARK	5	
					052	DH		CAB. NO.	
					DUE-KUMIZU	1			