

(NOTE)

1. MATERIAL OF DIAPHRAGM SURFACE CONTACTED WITH GAS: Ni-Co ALLOY
2. Cv VALUE : 0.1 (20°C)
: -10 ~ 80°C (Fluid)
3. TEMPERATURE RANGE : -10 ~ 40°C (Atmosphere)
: -10 ~ 80°C (Fluid)
4. OPERATION METHOD : ORIGINAL DRIVER UNIT.
(AC 100 TO 240 \pm 10V)
5. CONNECTOR PART SPECIFICATION
(MINI UNIVERSAL MAINTENANCE LOCK)

	CONNECTOR	CONTACT
VALVE SIDE	PLUG HOUSING(MADE BY AMP)	PIN
CORD SIDE	SOCKET HOUSING(MADE BY AMP)	SOCKET

REVISION 改訂			
REV. MARK	DATE	CONTENTS	REVISED APPD.
Δ			
Δ			
Δ			

REMARK 備考	
STANDARD(UP)	
CODE No.	068312

IS			
14			
13			
12			
11			
10			
9			
8			
7			
6			
5			
4			
3	MEGA-MINI LE TYPE	Isse	N.C.
2	SEAT	PCTFE	!
1	BODY	SUS316L	!

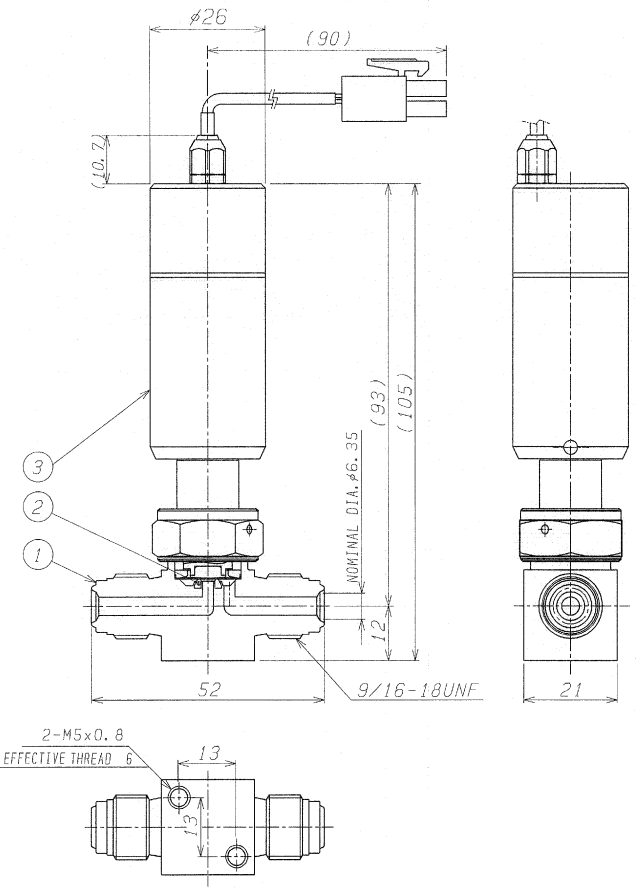
PART NO.	NAME OF PARTS	MATERIAL	Q'TY	REMARK	G.T.No.
----------	---------------	----------	------	--------	---------

MATERIAL LIST 表

DATE	SCALE	MPa	HYDRD	SH
2002-10-31	FREE	10.0	1.5	1.1
DESIGN	CHECKED	SEAL	SEAL	SEAL
7.0	7.0	7.0	7.0	7.0

ITEM NO.	FSR-SD-71-6.35#A		
TRADE NAME	MEGA-MINI LE TYPE		
NAME	STAINLESS STEEL 1 MPa -46.35 UJR TYPE ELECTRICALLY CONTROLLED MINI DIRECT DIAPHRAGM VALVE (N.C.)		
ORG. NO.	KU91047E	REV. MARK	Δ

Fujikin Incorporated
株式会社 フジキン



CAREER	呼び番号	球径(A等球)	6	8	10	15	20	25	32	40	50	65	80	90	100	125	150	175	200	225	250
球径(B等球)	球径(白球)	球径(白球)	10.5	13.6	17.3	21.7	27.2	34.0	42.7	48.6	63.5	76.3	85.1	101.6	114.3	139.8	165.2	190.7	216.3	241.8	267.4

UNIT(mm)	THE THIRD ANGLE	第三角法	TYPE	CAB. NO.
----------	-----------------	------	------	----------