

NOMINAL DIA.	MAX. PRESSURE (MPa)	TEMPERATURE (C)	MAX. CV	ALLOWABLE SEAT LEAKAGE RATE
6.35	0.98	-10~80	0.13	1/100 OF Cv VALUE AND LOWER

ITEM No.	CODE No.
FUBFN-71-6.35-2	UP 006147

NOMINAL DIA. D	D1	L1	H	D2	H1	L	H2	D3	B1	B2	A	C	E	ITEM No.
6.35	5	70.6	24.7	20.5	112	5	14.3	40	19	25	18	18	9/16-18UNF	FUBFN-71-6.35-2

CONTRAST TABLE	NOMINAL SIZE (mm)																
	6	8	10	15	20	25	32	40	50	65	80	90	100	125	150	200	250
OUTSIDE DIAMETER (mm)	3/16	1/4	3/8	1/2	3/4	1	1 1/4	1 1/2	2	2 1/2	3	3 1/2	4	5	6	8	10
	0.5	1.5	3.17	6.35	12.7	25.4	31.75	38.1	50.8	63.5	76.2	89.1	101.6	127	152.4	203.2	254

REVISION			
REV. NO.	DATE	REVISED DESCRIPTION	APPD.
△	06-08-21	Rev.	

REMARK	20	19	18	17	16	15	14	13	12	11	10	9	8	7	6	5	4	3	2	1																		
	UNION NUT	SUS316	SUS316L	NAME PLATE	PVC	HAND WHEEL	AS056	SET SCREW	SUS304	SPRING PIN	SUS304	RING	SUS304	GUIDE RING	PTFE	PARALLEL PIN	SUS420J2	O RING	FPM	SUS304	PANEL NUT	SUS304	GASKET	PCTFE	BUSH	SUS304	COVER	SUS316	BELLOWS	SUS316L	BONNET	SUS316	STEM (2)	SUS304	STEM (1)	SUS316	BODY	SUS316L

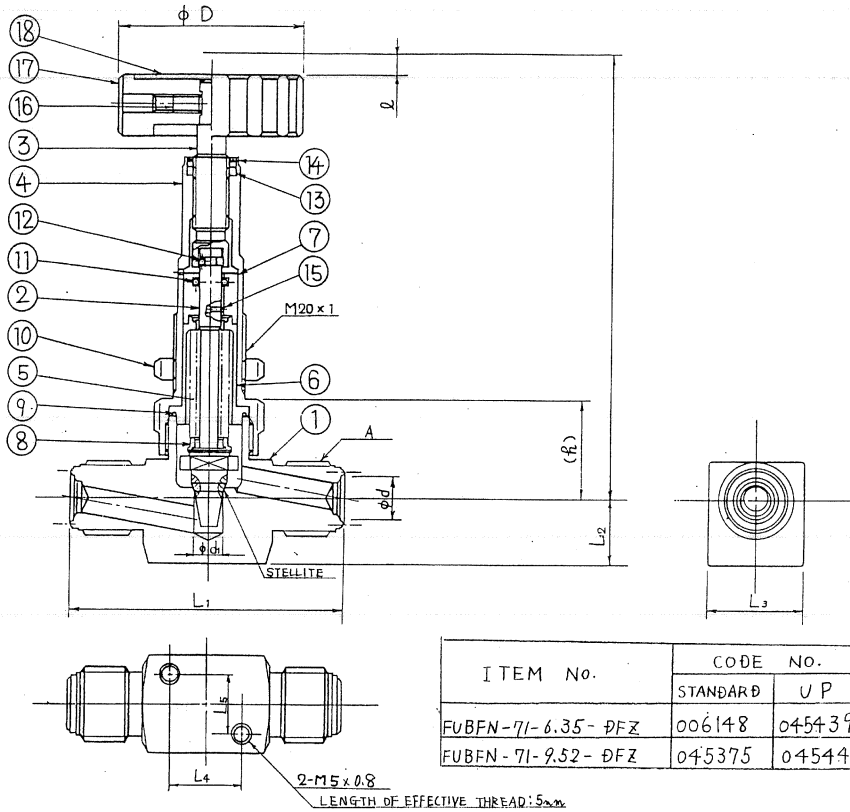
MATERIAL LIST			
DATE	TEST PRESS.	MPa	REMARK
05-11-28	FREE		
SCALE	FLUID		
APPD. K. D. jobs	SHELL	1.47	GHc
CHKD. X. Masuda	SEAT	1.08	
DESIGN Y. Okaike	BACKSEAT		
RECIPIENT	SEAL	1.08	

MODEL NO.	TEST PRESS.	MPa	REMARK

NAME	STAINLESS STEEL 0.98MPa
UJR TYPE NEEDLE BELLOWS VALVE	

DRG. NO.	REV. MARK
KU15277E	△ 1

Fujikin Incorporated			
株式会社フジキン			



ITEM NO.	CODE NO.	
	STANDARD	U P
FUBFN-71-6.35-DFZ	006148	045439
FUBFN-71-9.52-DFZ	045375	045440

NOMINAL DIA. d	d ₁	L ₁	L ₂	L ₃	L ₄	L ₅	D	l	H	R	A	ITEM NO.
6.35	5	65	13	21	15	12	40	5	112	25	9/16-18UNF	FUBFN-71-6.35-DFZ
9.52	8	72	17	26	20	15	50	6	120	29.5	7/8-14UNF	FUBFN-71-9.52-DFZ

REVISION				
REV. MARK	DATE	CONTENTS	REVISED	APPD.
△				
△				
△				
△				

18	NAME PLATE	PVC	1		
17	HAND WHEEL	A505b	1	ALMITE	
16	SET SCREW	SUS 304	1		
15	SPRING PIN	SUS 304	1		
14	RING	SUS 304	1		
13	GUIDE RING	PTFE	1		
12	PARALLEL PIN	SUS 420J2	1		
11	O RING	FPM	1	PG	
10	PANEL NUT	SUS 304	1		
9	GASKET	SUS 316	1	MFA9	
8	CONNECTIVE BUSH	SUS 316	1		
7	BUSH	SUS 304	1		
6	COVER	SUS 316	1		
5	BELLOWS	SUS 316L	1		
4	BONNET	SUS 316	1		
3	STEM(2)	SUS 304	1		
2	STEM(1)	SUS 316	1	STELLITE	
1	BODY	SUS 316L	1		

MATERIAL LIST				
DATE	SCALE	HYDRO	SEAL	OTHER
'96-10-02	FREE		SEAL	
			BACK SEAT	
			SEAL	

NAME: STAINLESS STEEL 10kgf/cm² (0.98MPa)
 UTR TYPE NEEDLE BELLOWS VALVES

ORG. NO. KU15790E REV. MARK 16-10

Fujikin International, Inc.
 株式会社フジキン

CAREER	72.03.04	SI Unit is accompanied	検数	K. Dando	呼び径(A呼び)	6	8	10	15	20	25	32	40	50	65	80	90	100	125	150	200	250	
果' 歴					呼び径(B呼び)	3/4	3/8	3/2	3/4	1	1 1/4	1 1/2	2	2 1/2	3	3 1/2	4	5	6	8	10		
					調整外径 (mm)	10.5	13.8	17.3	21.7	24.4	27.1	31.8	36.5	41.2	46.0	50.8	55.6	60.4	65.2	70.0	74.8	79.6	84.4

UNIT [mm] THE THRD ANGLE 第三角法

TYPE 型式

CAB. NO. 16-10