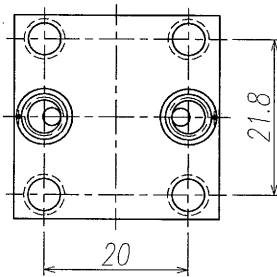
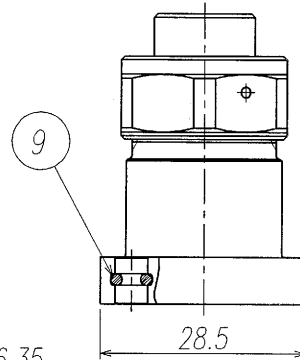
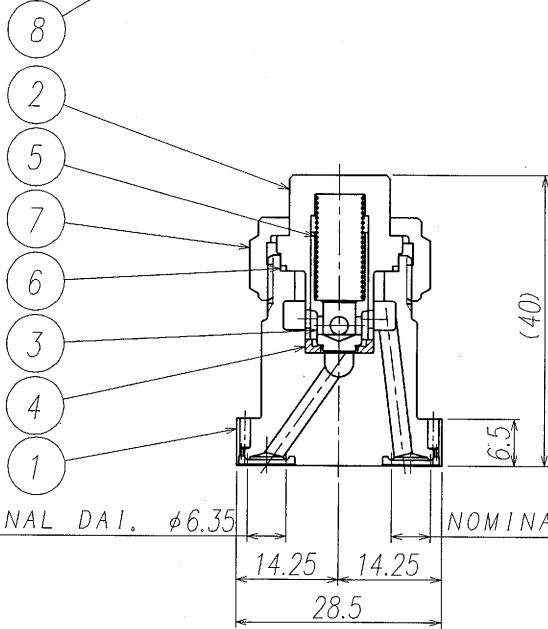
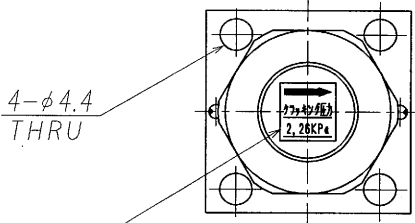


図面用紙サイズ A4 (JIS)

REMARK  
備考

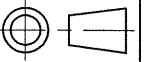
NOTE

CRACKING PRESSURE (3L/min GN <sub>2</sub> )	2.26 KPa
BACK SEAL PRESSURE	0.0294 MPa
Cv VALUE	0.1
SEAT PACKING MATERIAL	KALREZ



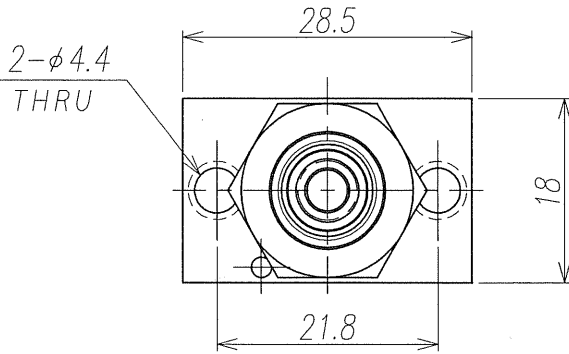
CODE No.  
085576

3						14					
2						13					
1						12					
MARK	DATE	CONTENTS	REVISION	APPD.	11						
REVISION 訂					10						
DATE	JUL. 19, 2001	試験 TEST PRESSURE 圧力 FORCE	MPa	HYDRO. 水圧	GHg 空気圧	9	O-RING	FPM	4		
SCALE	FREE		SHELL 耐圧		1.5	8	NAME PLATE	TETRON	1		
APPD.	M. Mabino		SEAT 漏		0.0294 & 1.1	7	BONNET NAT	SUS316	1		
CHKD.	M. Mabino		BACK SEAT 逆圧			6	GASKET	SUS316L	1	DOUBLE MELT	
DESIGN	H. Fuki	SEAL 気密		1.1	5	SPRING	SUS316	1			
ITEM NO.	FUCL-21-6.35UGC-0.023-KA				4	SEAT PACKING	KALREZ	1			
TRADE MARK					3	DISK	SUS316	1			
					2	CUP	SUS316L	1	DOUBLE MELT		
					1	BODY	SUS316L	1	DOUBLE MELT		
NAME	STAINLESS STEEL 1MPa-φ6.35										
	1.125W-SEAL TYPE CHECK VALVES										
Fujikin Incorporated 株式会社 <b>フジキン</b>					MATERIAL LIST 表						
CAREER					DRG. NO.	TU13125E	REV. MARK				
					TYPE	719/fucl/tu13125e	CAB. NO.				



図面用紙サイズA4 (JIS Z 8311)

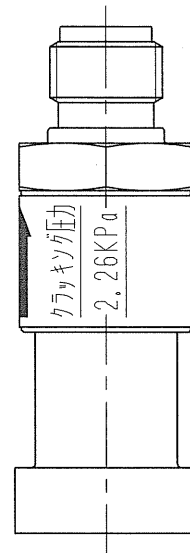
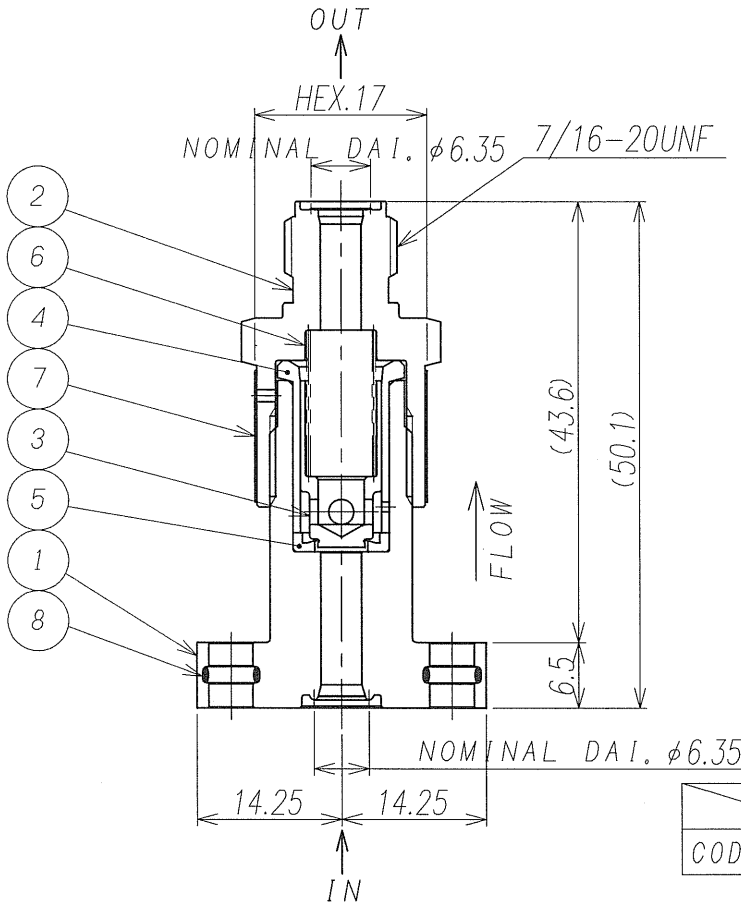
REMARK  
備考



NOTE

CRACKING PRESSURE (3l/min GN <sub>2</sub> )	2.26KPa
BACK SEAL PRESSURE	0.0294MPa
Cv VALUE	0.2
SEAT PACKING MATERIAL	KALREZ

SAMPLE



STANDARD	
CODE No.	085578

△						14					
△						13					
△						12					
MARK	DATE	CONTENTS	REVISION	APPD.		11					
REVISION 訂						10					
DATE	JUL. 19. 2001	TEST PRESSURE	MPa	HYDRO. 水 圧	GH <sub>2</sub> GN <sub>2</sub> 空気圧	9					
SCALE	FREE	SHELL 耐 圧	1.5			8	O RING	FPM	2		
APPD.	M. Mahino	SEAT 漏 レ	0.0294 & 1.1			7	NAME PLATE	TETRON	1		
CHKD.	M. Mahino	BACK SEAT 逆 圧				6	SPRING	SUS316	1		
DESIGN	H. Taki	SEAL 気 密	1.1			5	SEAT PACKING	KALREZ	1		
ITEM NO.	FUCL-21-6.35UGCX6.35UG-0.023-KA					4	GLAND	SUS316	1		
TRADE MARK						3	DISK	SUS316	1		
商標又は商品名						2	BODY (B)	SUS316L	1	DOUBLE MELT	
NAME	STAINLESS STEEL 1MPa-φ6.35					1	BODY (A)	SUS316L	1	DOUBLE MELT. Ag Plating	
名称	1.125W-SEAL TYPE CHECK VALVES					PART NO. NAME OF PARTS MATERIAL Q'TY REMARK G.T.No.					
						MATERIAL LIST					
						材 料 表					
						DRG. NO.	TU13126E			REV. MARK	改 訂
						0					
CAREER						TYPE	719/fucl/tu13126e		CAB. NO.		
来 歴											