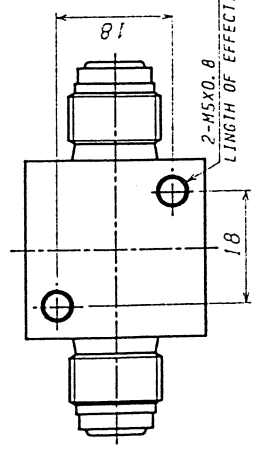
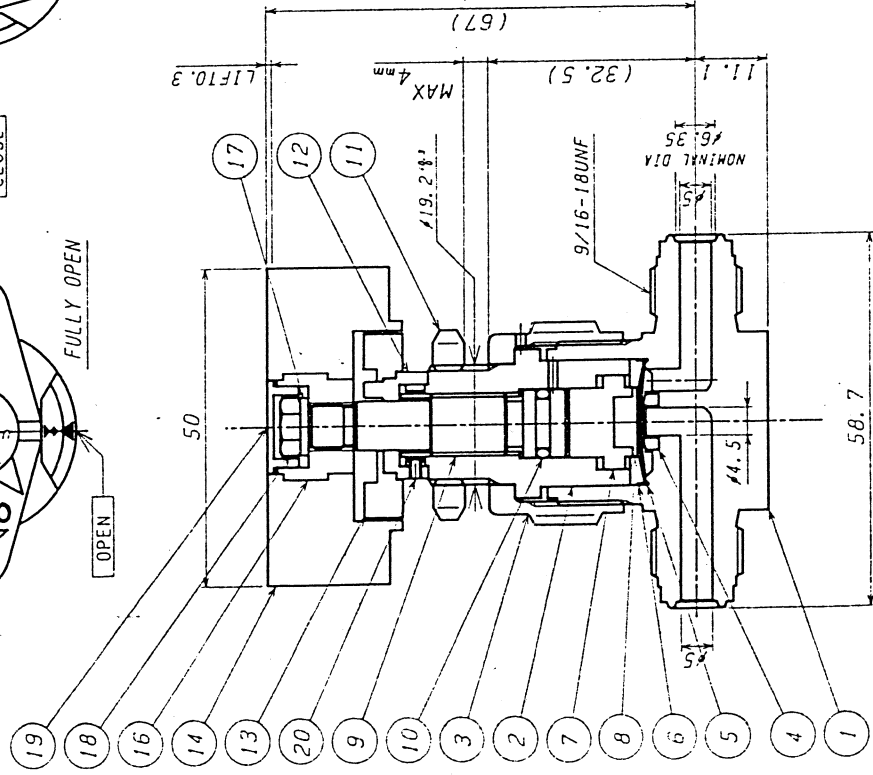
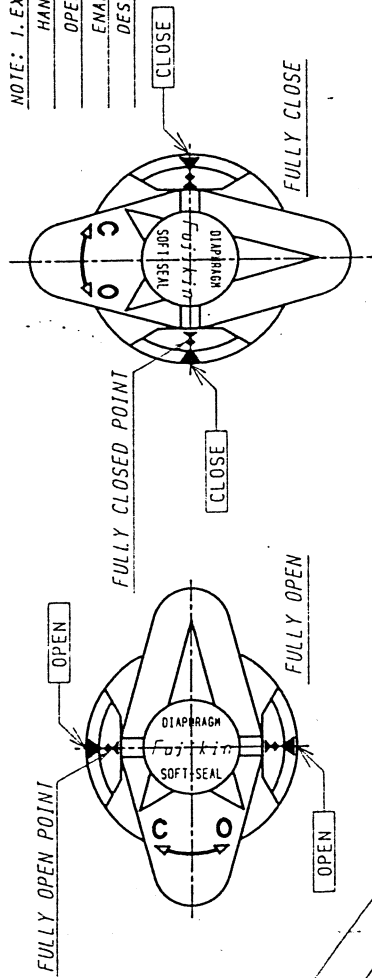


NOTE: 1. EXACTLY SET ▲ MARK SHOWN ON THE HANDLE COVER TO THE POSITIONS OF OPEN AND CLOSE ON INDICATOR TO ENABLE THE VALVES TO OPERATE IN DESIGNED PERFORMANCE.



CODE No.	006385	UP	006388
STANDARD.			

REVISION 訂	DATE 日	CONTENTS 改訂内容	REVISED 訂	APPRO. 承認
△	'94-06-07	CHANGE OF PART/MATERIAL ANALYSIS TESTED	T.H	M.Y
△	'95-08-05	ADD TO CODE No.	T.H	M.Y
△				

REMARK 備考 CV 0. 1

FIG. NO.	PART NAME	QTY	MATERIAL	REMARK	G. T. No.
20	DIAPHRAGM	1	SUS304		
19	CAP	1	POLY ETYLENE		
18	HEX NUT	1	SUS304		
17	WASHER	1	SUS304		
16	BUSH	1	SUS316		
15	HANDLE COVER	1	POLY CARBONATE		
14	HANDLE	1	NYLON 66		
13	INDICATOR	1	NYLON 6		
12	BONNET CAP	1	SUS316		
11	PANEL NUT	1	SUS316		
10	O RING	1	FPH		
9	STEM	1	SUS630	H900	
8	DIAPHRAGM BUSH	1	POLYIMIDE		
7	DISK	1	SUS630	H900	
6	DIAPHRAGM ADAPTOR	1	SUS630	H900	
5	DIAPHRAGM	1	Ni ALLOY	ISEI	
4	SEAT	1	PCIFE		
3	BONNET NUT	1	SUS316		
2	BONNET	1	SUS316		
1	BODY	1	SUS316L		

DATE 日	SCALE R	APPRO 承認	CHKD 検査	DESIGN 設計
1993-01-25	1:1	FREE	M. Yamaguchi	T. Sawada

ITEM NO.	ITEM NAME	REMARK
	FUDDL-716G-6.35	
	MEGA-ONE HQ TYPE	
	STAINLESS STEEL 16SK1/C6 ² (16.2PPA)-16.35	
	UJR TYPE 90° TURN OPEN OR CLOSE	
	DIRECT DIAPHRAGM VALVE	
	KUI9373E	

Fujikin Incorporated
株式会社 7ジキン