

REV. MARK	DATE	CONTENTS	REVISED	APPRO.
改訂	日付	改訂内容	改訂	承認
△	03-03-31	REWRITE	H.K	R-N
△	08-02-28	Add to FD CODE No.	H.K	R-N
△				
△				

REVISION 改訂
REMARK 原

REV. MARK	DATE	CONTENTS	REVISED	APPRO.
△	03-03-31	REWRITE	H.K	R-N
△	08-02-28	Add to FD CODE No.	H.K	R-N
△				
△				

REVISION 改訂
REMARK 原

REV. MARK	DATE	CONTENTS	REVISED	APPRO.
△	03-03-31	REWRITE	H.K	R-N
△	08-02-28	Add to FD CODE No.	H.K	R-N
△				
△				

REVISION 改訂
REMARK 原

REV. MARK	DATE	CONTENTS	REVISED	APPRO.
△	03-03-31	REWRITE	H.K	R-N
△	08-02-28	Add to FD CODE No.	H.K	R-N
△				
△				

REVISION 改訂
REMARK 原

REV. MARK	DATE	CONTENTS	REVISED	APPRO.
△	03-03-31	REWRITE	H.K	R-N
△	08-02-28	Add to FD CODE No.	H.K	R-N
△				
△				

REVISION 改訂
REMARK 原

REV. MARK	DATE	CONTENTS	REVISED	APPRO.
△	03-03-31	REWRITE	H.K	R-N
△	08-02-28	Add to FD CODE No.	H.K	R-N
△				
△				

REVISION 改訂
REMARK 原

REV. MARK	DATE	CONTENTS	REVISED	APPRO.
△	03-03-31	REWRITE	H.K	R-N
△	08-02-28	Add to FD CODE No.	H.K	R-N
△				
△				

REVISION 改訂
REMARK 原

REV. MARK	DATE	CONTENTS	REVISED	APPRO.
△	03-03-31	REWRITE	H.K	R-N
△	08-02-28	Add to FD CODE No.	H.K	R-N
△				
△				

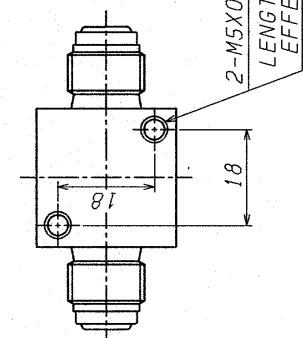
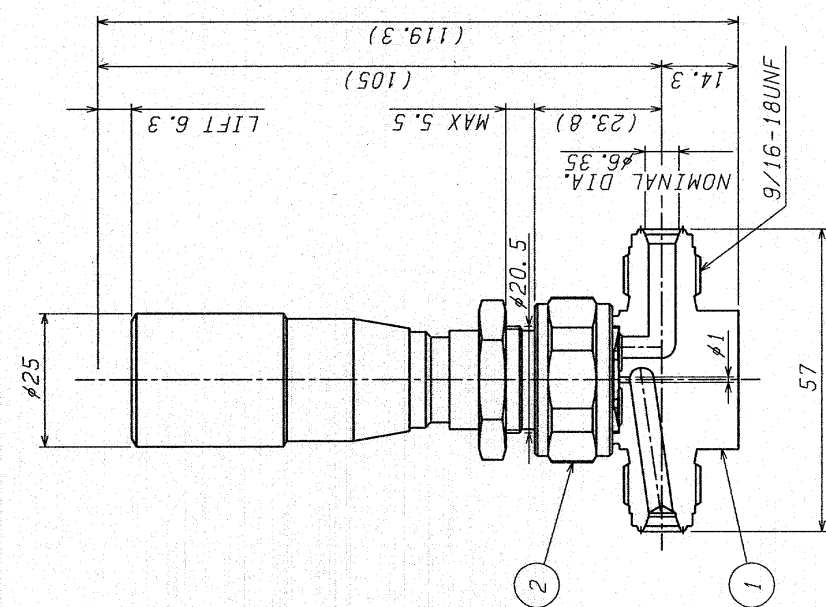
REVISION 改訂
REMARK 原

REV. MARK	DATE	CONTENTS	REVISED	APPRO.
△	03-03-31	REWRITE	H.K	R-N
△	08-02-28	Add to FD CODE No.	H.K	R-N
△				
△				

REVISION 改訂
REMARK 原

REV. MARK	DATE	CONTENTS	REVISED	APPRO.
△	03-03-31	REWRITE	H.K	R-N
△	08-02-28	Add to FD CODE No.	H.K	R-N
△				
△				

REVISION 改訂
REMARK 原



- NOTE) 1. Cv VALUE : 0.03(20°C)
 2. * MAX SEAT LEAKAGE : Cv/100
 3. MATERIAL OF DIAPHRAGM : Ni-Cd ALLOY
 4. TEMPERATURE RANGE : -10 ~ 150°C

STANDARD(UP)	F Φ
CODE No.	026502 461702

REV. MARK	DATE	CONTENTS	REVISED	APPRO.
△	03-03-31	REWRITE	H.K	R-N
△	08-02-28	Add to FD CODE No.	H.K	R-N
△				
△				

REVISION 改訂
REMARK 原

REV. MARK	DATE	CONTENTS	REVISED	APPRO.
△	03-03-31	REWRITE	H.K	R-N
△	08-02-28	Add to FD CODE No.	H.K	R-N
△				
△				

REVISION 改訂
REMARK 原

REV. MARK	DATE	CONTENTS	REVISED	APPRO.
△	03-03-31	REWRITE	H.K	R-N
△	08-02-28	Add to FD CODE No.	H.K	R-N
△				
△				

REVISION 改訂
REMARK 原

REV. MARK	DATE	CONTENTS	REVISED	APPRO.
△	03-03-31	REWRITE	H.K	R-N
△	08-02-28	Add to FD CODE No.	H.K	R-N
△				
△				

REVISION 改訂
REMARK 原

REV. MARK	DATE	CONTENTS	REVISED	APPRO.
△	03-03-31	REWRITE	H.K	R-N
△	08-02-28	Add to FD CODE No.	H.K	R-N
△				
△				

REVISION 改訂
REMARK 原

REV. MARK	DATE	CONTENTS	REVISED	APPRO.
△	03-03-31	REWRITE	H.K	R-N
△	08-02-28	Add to FD CODE No.	H.K	R-N
△				
△				

REVISION 改訂
REMARK 原

REV. MARK	DATE	CONTENTS	REVISED	APPRO.
△	03-03-31	REWRITE	H.K	R-N
△	08-02-28	Add to FD CODE No.	H.K	R-N
△				
△				

UNIT [mm]	第三角法
-----------	------



TYPE	CAB. NO.
------	----------

呼称番号	呼称 (A呼称)	6	8	10	15	20	25	32	40	50	65	80	90	100	125	150	175	200	225	250
呼称 (B呼称)	1/8	1/4	3/8	1/2	3/4	1	1 1/4	1 1/2	2	2 1/2	3	3 1/2	4	5	6	7	8	9	10	
呼び寸 (mm)	10.5	13.8	17.3	21.2	27.2	34.0	42.7	48.6	60.5	75.3	89.1	101.6	114.3	138.8	155.2	180.7	206.3	231.8	257.4	

CAREER	2003-03-31	REWRITE	H.K
原			

Fujiikin Incorporated
株式会社 フジキン