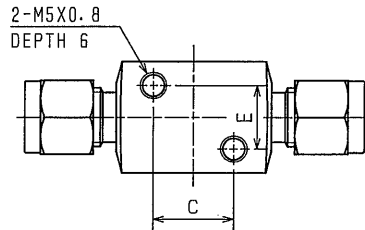
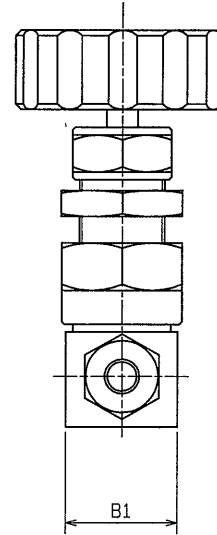
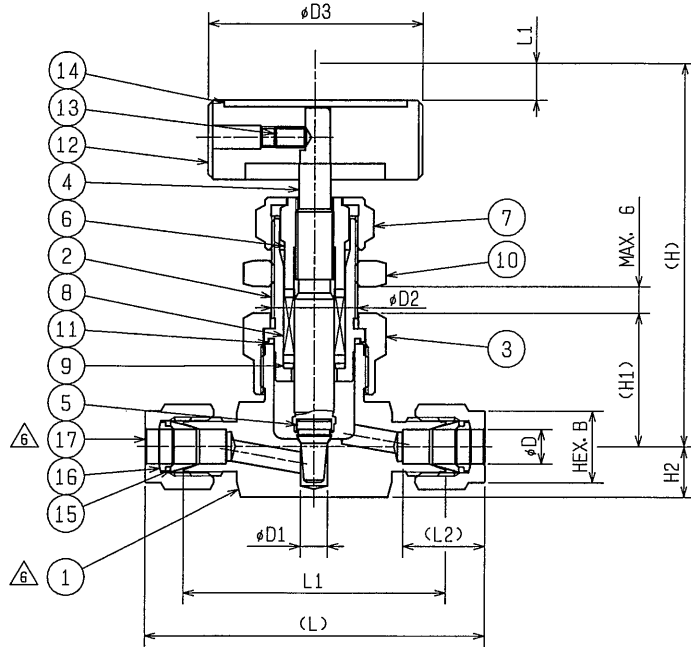


NOMINAL DIA.	MAX. PRESSURE (MPa)	TEMPERATURE (°C)	MAX. Cv
3.2	4.90	-10~+150	0.045
6.35	4.90	-10~+150	0.3
9.52	4.90	-10~+150	0.62
12.7	4.90	-10~+150	0.78



NOMINAL DIA. D	D1	L	L1	L2	B	H1	D2	H	L1	D3	B1	H2	C	E	ITEM No.	CODE No. STANDARD
3.2	2.5	57	44	13	10	24	14.5	69	7	32	21	10	15	12	FUN-95-3.2	100433
6.35	5	63	49	15	14	24	16.5	73	7	40	21	9.5	15	12	FUE-95-6.35	100434
9.52	8	71	55	17.5	17	26	20.5	81	7	50	26	11.5	20	15	FUH-95-9.52	100435
12.7	8	81	59	24	22	27	20.5	82	7	50	26	14	20	15	FUH-95-12.7	100436

REVISION

REV. NO.	DATE	REVISED DESCRIPTION	REVISED	APPD.
△6	1.27.'12	Rev.		

REMARK

19				
18				
17	NUT	SUS316	2	A9 PLATING
16	BACK RING	SUS316	2	
15	FRONT RING	SUS316	2	
14	NAME PLATE	PVC	1	BLUE
13	SET SCREW	SUS304	1	
12	HANDWHEEL	A5056	1	ALUMITE
11	SHEET PACKING	PCTFE	1	
10	PANEL NUT	SUS304	1	
9	BUSH	SUS316	1	
8	GLAND PACKING	PTFE+PFA	1SET	
7	GLAND NUT	SUS304	1	
6	GLAND	SUS316	1	
5	DISK	STELLITE	1	
4	STEM	SUS316	1	
3	BONNET NUT	SUS304	1	
2	BONNET	SUS316	1	
1	BODY	SUS316L	1	

PART. NO.	NAME OF PARTS	MATERIAL	QTY	REMARK
-----------	---------------	----------	-----	--------

MATERIAL LIST

DATE	8.9.'84	TEST PRESS.	MPa
SCALE	FREE	ITEM FLUID	GHe
APPD.	<i>J. Adachi</i>	SHELL	7.35
CHKD.	<i>H. Nara</i>	SEAT	5.39
DESIGN	<i>M. Yamada</i>	BACKSEAT	
		SEAL	5.39

RECIPIENT

MODEL NO.

TRADEMARK OR MODEL NAME

NAME STAINLESS STEEL 4.90MPa F900 TYPE NEEDLE VALVES

DRG. NO. U12093E REV. MARK △6

Fujikin Incorporated  
株式会社 フジキン

CAREER

CONTRAST TABLE

NOMINAL SIZE (A)	6	8	10	15	20	25	32	40	50	65	80	90	100	125	150	200	250
NOMINAL SIZE (B)	1/8	1/4	3/8	1/2	3/4	1	1 1/4	1 1/2	2	2 1/2	3	3 1/2	4	5	6	8	10
OUTSIDE DIAMETER	10.5	13.6	17.3	21.7	27.2	34.0	42.7	48.6	60.5	76.3	89.1	101.6	114.3	139.8	165.2	216.3	267.4

UNIT (mm)

THE THIRD ANGLE



051 FUE-95  
FUE-95KUMIZU 9 CAB. NO. 16-4C