

<NOTE> 1. MATERIAL OF DIAPHRAGM SURFACE CONTACTED
WHIT GAS. :NI-Co ALLOY
2. TEMPERATURE RANGE: -10~80°

NOMINAL DIA Ø	d1	L	A	h1	d2	t	H	I	h	h2	D	D1	B	E	F	ITEM No.	Cv VALUE (20°C)
6.35	4.5	57	9/16-18UNF	23.5	20.5	7	80.6	0.7	14.3	66.3	35	22.5	26	18	18	FUNDL-71G-6.35	0.3
9.52	7	76.2	7/8-14UNF	31.5	24.5	10	96.4	1.2	11.1	85.3	46	29	35	20.2	20.2	FUNDL-71G-9.52	0.65

2-M5X0.8
LENGTH OF EFFECTIVE THREAD:6

REVISION			
REV. MARK	DATE	CONTENTS	REVISED
△			
△			
△			
△			

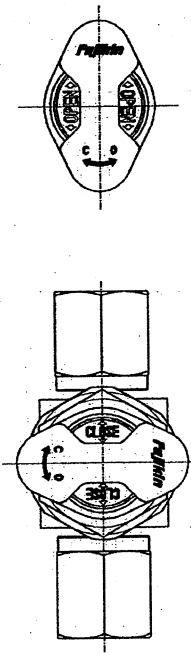
DATE	SCALE	APPD.	CHECKED	DESIGN	RECIPENT	ITEM NO.	TRADEMARK OR TRADE NAME	NAME	DRG. NO.
								NEW MEGA-ONE LS TYPE	

DATE	SCALE	APPD.	CHECKED	DESIGN	RECIPENT	ITEM NO.	TRADEMARK OR TRADE NAME	NAME	DRG. NO.
								NEW MEGA-ONE LS TYPE	

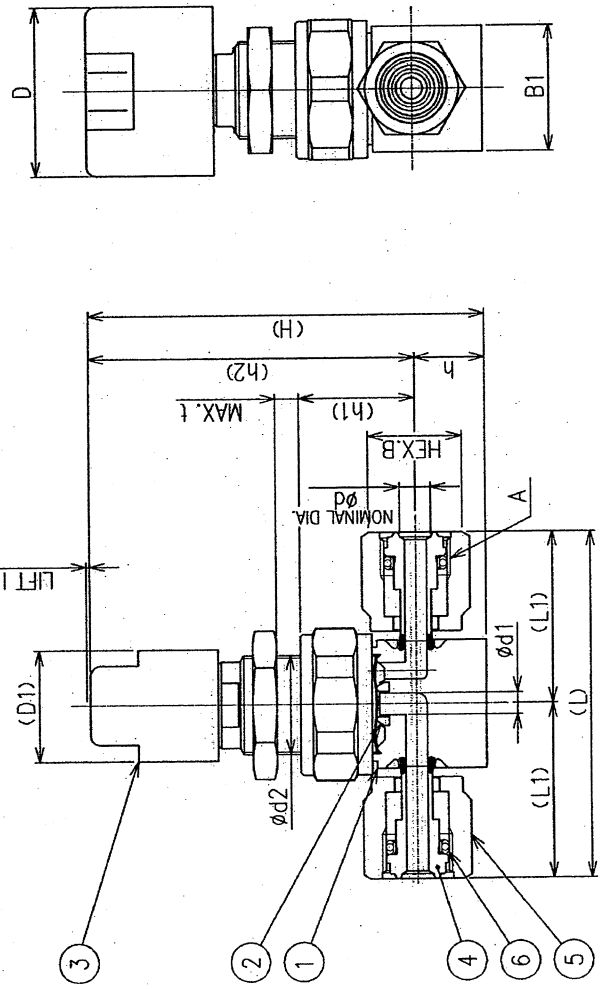
DATE	SCALE	APPD.	CHECKED	DESIGN	RECIPENT	ITEM NO.	TRADEMARK OR TRADE NAME	NAME	DRG. NO.
								NEW MEGA-ONE LS TYPE	



CAREER	UNIT (mm)	THE THIRD ANGLE
?	?	?



CLOSED
OPEN



<NOTE> 1. MATERIAL OF DIAPHRAGM SURFACE CONTACTED
WHT GAS: NI-CO ALLOY
2. TEMPERATURE RANGE: -10~80C

2-M5X0.8
LENGTH OF EFFECTIVE THREAD:6

NOMINAL DIA	d1	L	L1	A	h1	d2	t	H	I	h	h2	D	D1	B	B1	E	F	ITEM No.	Cv VALUE (20C)	CODE No. STANDARD
6.35	4.5	70.6	35.3	9/16-18UNF	23.5	20.5	7	80.6	0.7	14.3	66.3	35	22.5	26	26	18	18	FUNDL-716-6.35-2-316LP	0.25	404160
9.52	7	83	41.5	7/8-14UNF	31.5	24.5	10	98	1.2	12.7	85.3	46	29	26	35	20.2	20.2	FUNDL-716-9.52-2-316LP	0.65	404188

呼び番号	呼び寸 (mm)	呼び寸 (inch)	呼び寸 (mm)	呼び寸 (inch)	呼び寸 (mm)	呼び寸 (inch)	呼び寸 (mm)	呼び寸 (inch)	呼び寸 (mm)	呼び寸 (inch)	呼び寸 (mm)	呼び寸 (inch)
対比表	10.5	13.8	17.3	21.7	25.4	31.8	38.1	44.4	50.8	57.1	63.5	70
呼び寸 (mm)	10.5	13.8	17.3	21.7	25.4	31.8	38.1	44.4	50.8	57.1	63.5	70
呼び寸 (inch)	0.413	0.543	0.681	0.854	1.000	1.250	1.500	1.748	2.000	2.250	2.500	2.750

UNIT(mm)
THE THIRD ANGLE
第三角法

REVISION	REVISED	APPD.
改訂	改訂内容	改訂者
△		
△		
△		
△		

REMARK	DATE	CONTENTS
備考	日付	改訂内容

DATE	SCALE	APPRO.	CHECKED	DESIGN
日付	尺度	承認	検査	設計
2003-09-04	FREE	R. Nishimura	H. Nishimura	H. Nishimura

DATE	HYDRO	SCALE	APPRO.	CHECKED	DESIGN
日付	水压	尺度	承認	検査	設計
2003-09-04	1.5	FREE	R. Nishimura	H. Nishimura	H. Nishimura

DATE	SCALE	APPRO.	CHECKED	DESIGN
日付	尺度	承認	検査	設計
2003-09-04	FREE	R. Nishimura	H. Nishimura	H. Nishimura

REMARK	DATE	CONTENTS
備考	日付	改訂内容

TYPE	CAB. NO.
型式	機番

STAINLESS STEEL 1MP0
LUJ TYPE SWITCH DIRECT DIAPHRAGM VALVES
NEW MEGA-ONE LS TYPE
KUI194745
REV/MARK
改訂

Fujikin Incorporated
株式会社 フジキン