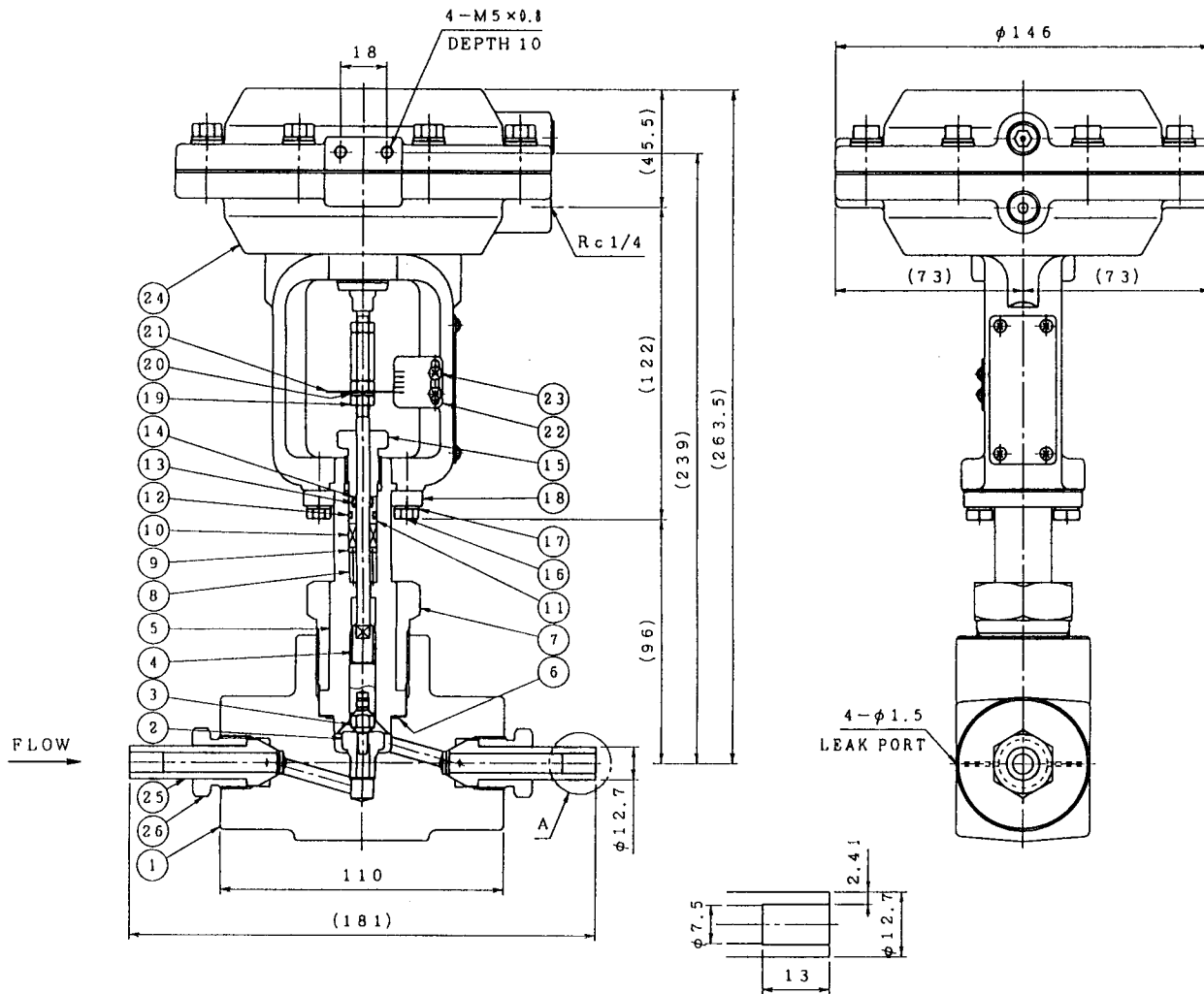


24	ACTUATOR		1SET	21	INDICATOR	SUS304	1
25	SLEEVE	SUS316	2	22	LIFT SCALE	SUS304	1
26	UNION NUT	SUS316	2	23	CROSS RECESSED HEAD SCREWS	SUS304	2

REVISION				
REV. NO.	DATE	REVISED DESCRIPTION	REVISED	APPD.



20	SPRING WASHER	SUS304	1	
19	HEX. NUT	SUS304	2	
18	ACTUATOR PLATE	SUS304	2	
17	SPRING WASHER	SUS304	4	
16	HEX. BOLT	SUS304	4	
15	GLAND NUT	SUS304	1	
14	BACK UP RING	PTFE	1	
13	ORING	FPM	1	JIS P5
12	ORING	FPM	1	JIS P8
11	ORING HOLDER	SUS316	1	
10	GLAND PACKING	PTFE+PFA	1SET	
9	PACKING SHEET	SUS316	1	
8	SPRING	SUS304WPB	1	
7	BONNET NUT	SUS304	1	
6	GASKET	SUS316	1	
5	BONNET	SUS316	1	
4	STEM	SUS316	1	
3	DISK	SUS316	1	STELLITE No. 12
2	SEAT	SUS316	1	STELLITE No. 6
1	BODY	SUSF316	1	

MATERIAL LIST				
PART NO.	NAME OF PARTS	MATERIAL	Q'TY	REMARK

DATE	03.10.06	TEST PRESS.	
SCALE	FREE	SHELL	
APPD.	<i>V. Hata</i>	SEAT	
CHKD.	<i>John</i>	BACKSEAT	
DESIGN	<i>M. Sogoo</i>	SEAL	
RECIPIENT			
MODEL NO.	M3R4-750-12.7-*		
TRADEMARK OR MODEL NAME			
NAME	STAINLESS STEEL REVERSE OPERATION TYPE MINI CONTROL VALVE		
DRG NO.	UM197163E	REV. MARK	0

Fujikin Incorporated
株式会社 フジキン

NOTE
 1. * Indicates Cv value number.
 2. Test pressure is specified on each occasion, because it varies according to the specifications.
 3. Material marking on body is 316.

Detailed drawing of A

CARRIER		CONTRAST TABLE	<table border="1"> <tr> <th>NOMINAL SIZE (A)</th> <td>6</td><td>8</td><td>10</td><td>15</td><td>20</td><td>25</td><td>32</td><td>40</td><td>50</td><td>65</td><td>80</td><td>90</td><td>100</td><td>125</td><td>150</td><td>200</td><td>250</td> </tr> <tr> <th>NOMINAL SIZE (B)</th> <td>1/4</td><td>3/8</td><td>1/2</td><td>3/4</td><td>1</td><td>1 1/4</td><td>1 1/2</td><td>2</td><td>2 1/2</td><td>3</td><td>3 1/2</td><td>4</td><td>5</td><td>6</td><td>8</td><td>10</td><td></td> </tr> <tr> <th>OUTSIDE DIAMETER</th> <td>10.5</td><td>12.8</td><td>17.3</td><td>21.7</td><td>27.2</td><td>34.0</td><td>42.7</td><td>48.6</td><td>60.5</td><td>76.3</td><td>88.1</td><td>101.0</td><td>111.4</td><td>133.0</td><td>161.5</td><td>211.6</td><td>267.6</td> </tr> </table>	NOMINAL SIZE (A)	6	8	10	15	20	25	32	40	50	65	80	90	100	125	150	200	250	NOMINAL SIZE (B)	1/4	3/8	1/2	3/4	1	1 1/4	1 1/2	2	2 1/2	3	3 1/2	4	5	6	8	10		OUTSIDE DIAMETER	10.5	12.8	17.3	21.7	27.2	34.0	42.7	48.6	60.5	76.3	88.1	101.0	111.4	133.0	161.5	211.6	267.6	UNIT (mm)	THE THIRD ANGLE		CAB. NO.	
NOMINAL SIZE (A)	6	8	10	15	20	25	32	40	50	65	80	90	100	125	150	200	250																																													
NOMINAL SIZE (B)	1/4	3/8	1/2	3/4	1	1 1/4	1 1/2	2	2 1/2	3	3 1/2	4	5	6	8	10																																														
OUTSIDE DIAMETER	10.5	12.8	17.3	21.7	27.2	34.0	42.7	48.6	60.5	76.3	88.1	101.0	111.4	133.0	161.5	211.6	267.6																																													