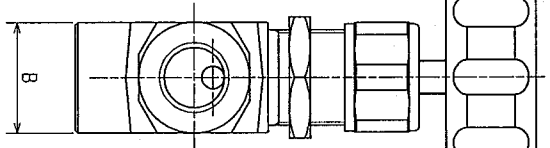
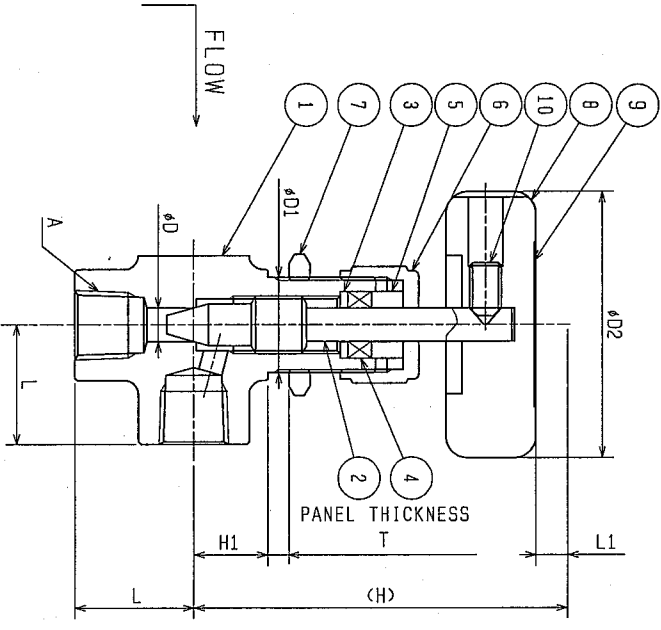
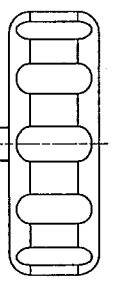
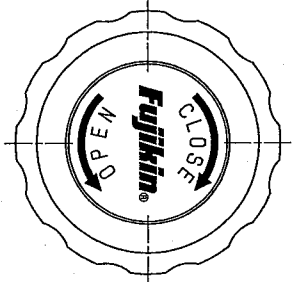


When ready to select a valve
 A fluorine lubricant is used on valve surfaces that come in contact with liquid or gas media. Therefore, the valve is not suited for use with fluids such as solvents that might dissolve the lubricant. If unsure of medium reactions, contact Fujikin before selecting this valve.



NOMINAL SIZE DRIFICE	PANEL INSTALL		HEIGHT	LIFT	D2	B	T	CV VALUE ABOUT (MAX.) (KG)	MASS VALUE ABOUT (KG)	ITEM No.		
	A	D1										
A	B	D	L	H	L1	D2	B	T	CV	MASS		
5	1/8	5	20	53	4	40	17	2	6	0.39	0.2	PDS-35A-SH
6	1/4	6.5	22.5	71	6	50	21	2	8	0.67	0.3	PDS-35B-SH
10	3/8	6.5	25	73	6	50	28	2	8	0.86	0.4	PDS-35C-SH
15	1/2	6.5	27.5	73	6	50	28	2	8	1	0.4	PDS-35D-SH

REVISION			
REV. NO.	DATE	REVISED DESCRIPTION	REVISED APPD.

REMARK APPLY TEMPERATURE RANGE: -20~150C

PART NO.	NAME OF PARTS	MATERIAL	Q'TY	REMARK
10	SET SCREW	SUS304	1	EQUIVALENT
9	NAME PLATE	TETORON	1	
8	HANDLE	A5056B	1	BLACK
7	PANEL NUT	C3604B	1	
6	GLAND NUT	C3604B	1	
5	GLAND BUSH	C3604B	1	
4	GLAND PACKING	PTFE	1	
3	BUSH	SUS316	1	
2	STEM	SUS303	1	or SUS316
1	BODY	C3771B	1	

MATERIAL LIST			
DATE	TEST PRESS.	MPa	
5.15.08	FREE		AIR
SCALE	LIB. RUMD	HYDRO	7.35
APPD.	SHELL	SEAT	5.39
CHKD.	SEAT	BACKSEAT	
DESIGN	SEAL		5.39

MODEL NO.	THROU-OR MODEL NAME	NAME	DRG. NO.
		BRASS 4.90MPa ANGLE TYPE NEEDLE VALVES	D141342E

Fujikin Incorporated
 株式会社フジキン

CAREER	CONTRACT TABLE	NOMINAL SIZE (A)	B	10	15	20	25	32	40	50	65	80	90	100	125	150	200	250	UNIT (mm)	THE THRO. ANGLE
		1/8	1/4	3/8	1/2	3/4	1	1 1/4	1 1/2	2	2 1/2	3	3 1/2	4	5	6	8	10	030	ETC050
		OUTSIDE DIAMETER (D) <td>13</td> <td>17</td> <td>21</td> <td>27</td> <td>34</td> <td>42</td> <td>50</td> <td>60</td> <td>76</td> <td>99</td> <td>101</td> <td>114</td> <td>138</td> <td>165</td> <td>216</td> <td>287</td> <td>PDS-35B-AL</td> <td>6</td>	13	17	21	27	34	42	50	60	76	99	101	114	138	165	216	287	PDS-35B-AL	6