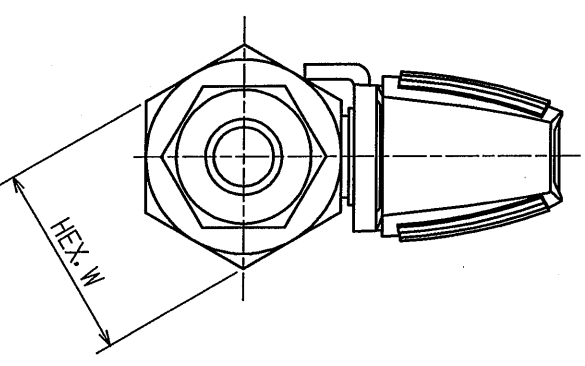
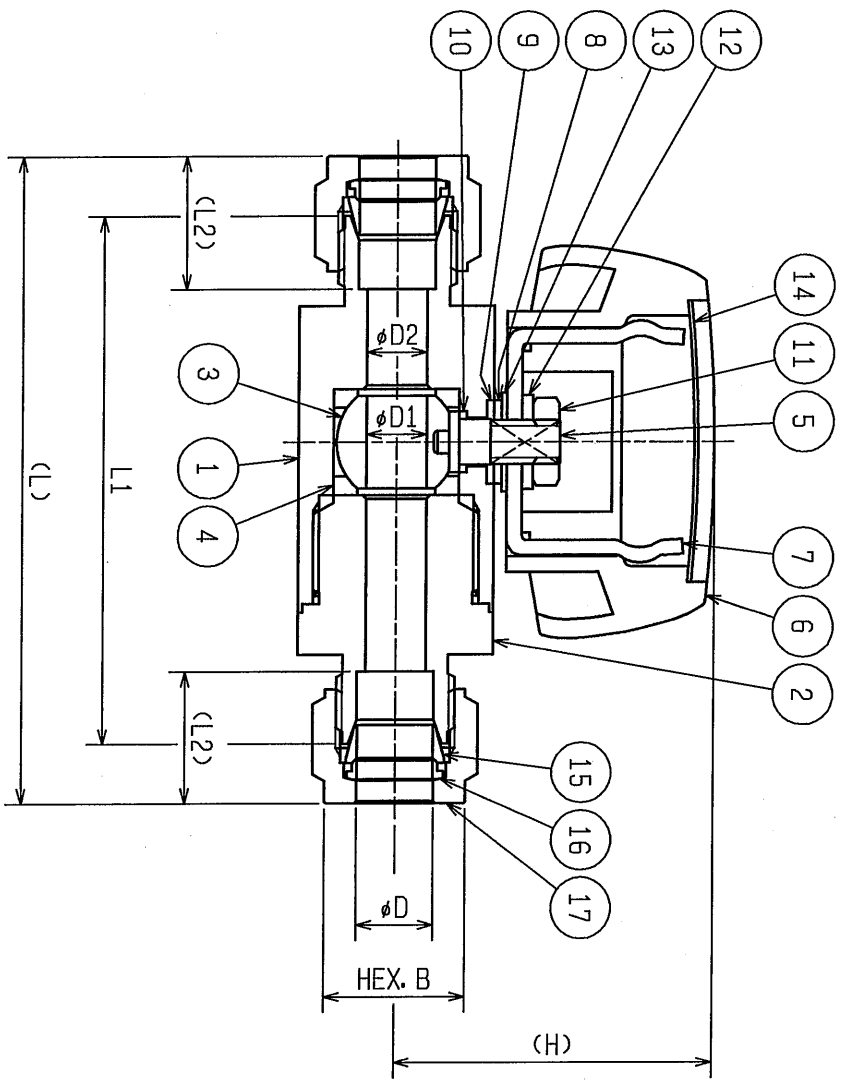
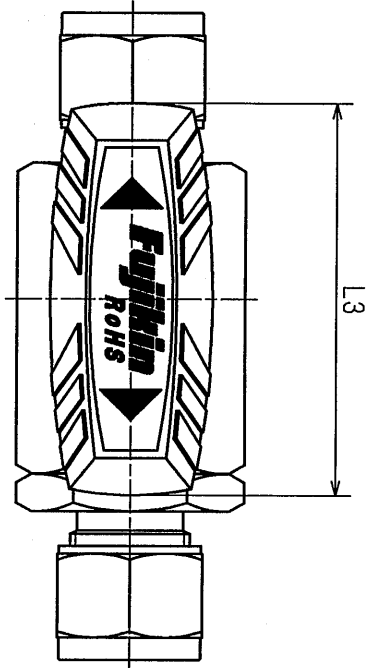




Products that comply with the RoHS Directive.

Notice of piping work:
Be sure to hold the hexagonal opposite side of ② Socket with wrench when tightening or loosening ① Nut of ② Socket side.



REVISION

REV. NO.	DATE	REVISED DESCRIPTION	REVISED	APPD.
3	1.13.'12	REV.		<i>M. Maeda</i>

REMARK

19				
18				
17	NUT	SUS316	2	A9 PLATING
16	BACK RING	SUS316	2	
15	FRONT RING	SUS316	2	
14	NAME PLATE	A1100P	1	
13	CONICAL SPRING	SUS304	1	
12	SPRING WASHER	SUS304	1	
11	NUT	SUS304	1	
10	PACKING	G-PTFE	1	
9	PACKING	G-PTFE	1	
8	GLAND WASHER	SUS304	1	
7	HANDLE STAY	SUS430	1	
6	HANDLE	PBT	1	BLACK
5	STEM	SUS316	1	
4	SHEET	G-PTFE	2	
3	BALL	SUS316	1	
2	SOCKET	SUS316	1	
1	BODY	SUS316	1	

MATERIAL LIST

DATE	TEST PRESS.	MPa
6.12.'98 <td>FREE <td></td> </td>	FREE <td></td>	
	FLUID <td></td>	
	HYDRO <td></td>	
	SHELL <td>5.88</td>	5.88
	SEAT <td>4.32</td>	4.32
	BACKSEAT <td></td>	
	SEAL <td>4.32</td>	4.32

NOMINAL SIZE D	D1	D2	L	L1	L2	H	L3	B	W	CV VALUE	ITEM NO.
6	5	4.8	72.8	58	15.2	33	41	14	17	1.4	PUBV-94-6
8	7.5	6.4	77	62	16.2	40	50	16	21	3.5	PUBV-94-8
10	9	7.9	84.8	69.6	17.2	42	50	19	26	5	PUBV-94-10
12	9	9.5	90.2	70	22.8	42	50	22	26	5	PUBV-94-12

CAREER	CONTRAST TABLE	NOMINAL SIZE (A)	6	8	10	15	20	25	32	40	50	65	80	90	100	125	150	200	250
		NOMINAL SIZE (B)	1/8	1/4	3/8	1/2	3/4	1	1 1/4	1 1/2	2	2 1/2	3	3 1/2	4	5	6	8	10
		OUTSIDE DIAMETER	10.5	13.8	17.3	21.3	25.8	30.8	36.3	42.3	48.8	55.8	63.3	71.3	80.3	90.3	101.3	113.3	126.3

MODEL NO. PUBV-94-6~12

RECIPIENT

TRADEMARK OR MODEL NAME

NAME STAINLESS STEEL 3.92MPa POWERFULL-LOK TYPE BALL VALVE

DRG. NO. TU24027E

REV. MARK 3

Fujiikin Incorporated
株式会社 フジキン

UBV 7 CAB. NO.