

Note 1.) Hold the hexagonal opposite side of fittings in body or off from body.  
 Note 2.) Finish the panel nut port in range of  $\phi 0.5$  to standard diameter.

**Note on Selecting a Valve**  
 Since a fluororubber O-ring is used at the gland, the valve is not suited for use with corrosive or swelling fluids (ammonia, chlorofluorocarbon, acetic acid, nitrogen suboxide, ethylene oxide and acetone, etc.). If unsure of sealing material's conformability to fluids, contact Fujikin before selecting this valve.

REV. NO.	DATE	REVISED DESCRIPTION	REVISED APPD.
②	'99-12-27	Changed to a unit of ST and fluid of test press.	<i>M. Masuda</i>
③	104-04-15	Changed TEST FLUID etc.	<i>M. Masuda</i>

REMARK

PART. NO.	NAME OF PARTS	MATERIAL	QTY	REMARK
15				
14				
13	SET SCREW	SUS304	1	
12	O RING	FPM	2	
11	O RING	FPM	1	
10	PANEL NUT	SUS304	1	
9	PANEL WASHER	SUS430	1	
8	GLAND BOLT	SUS316	1	
7	GLAND PACKING	G-PTFE	2	
6	HANDLE	ZDC2	1	BLACK
5	STEM	SUS316	1	
4	SEAT	G-PTFE	2	
3	BALL	SUS316	1	
2	SOCKET	SUS316	2	
1	BODY	SCS14	1	

MATERIAL LIST

DATE	'95-09-27	TEST PRESS.	MPa
SCALE	FREE	ITEM FLUID	$\Delta$ GN <sub>2</sub>
APPD.	<i>M. Masuda</i>	SHELL	7.35
CHKD.	<i>M. Masuda</i>	SEAT	5.39
DESIGN	<i>M. Masuda</i>	BACKSEAT	
		SEAL	5.39

RECIPIENT  
 MODEL NO. PUBV-15BN~DN  
 TRADEMARK OR MODEL NAME

NAME	REV. MARK
STAINLESS STEEL 4.90MPa SCREWED TYPE BALL VALVE WITH PANEL NUT	
TU24023E	3

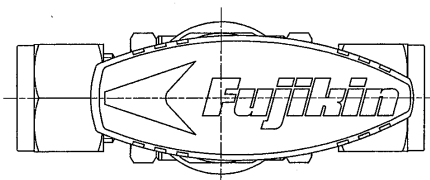
Fujikin Incorporated  
 株式会社フジキン  
 060 PUBV-15A.3  
 CAB. NO. T1-04  
 PRINTED IN JAPAN  
 P. AZ. 2F

NOMINAL DIA.	A	D	L	L1	L2	L3	H1	H	W	D1	T		Cv VALUE	ITEM No.
											MIN	MAX		
1/4B	1/4NPT	5	51	25.5	47	28	38	11	17	14.5	1	5	1.4	PUBV-15BN
3/8B	3/8NPT	7.5	55	27.5	57	34	42	13	21	16.5	1	5	3.5	PUBV-15CN
1/2B	1/2NPT	10	65	32.5	57	34	45	16	26	16.5	1	5	6.5	PUBV-15DN

NOMINAL SIZE (A)	6	8	10	15	20	25	32	40	50	65	80	90	100	125	150	200	250
NOMINAL SIZE (B)	1/8	1/4	3/8	1/2	3/4	1	1 1/4	1 1/2	2	2 1/2	3	3 1/2	4	5	6	8	10
OUTSIDE DIAMETER	10.5	13.8	17.3	21.7	27.2	34.0	42.7	48.6	60.5	76.3	98.5	110.1	141.3	188.8	241.6	306.7	381.4

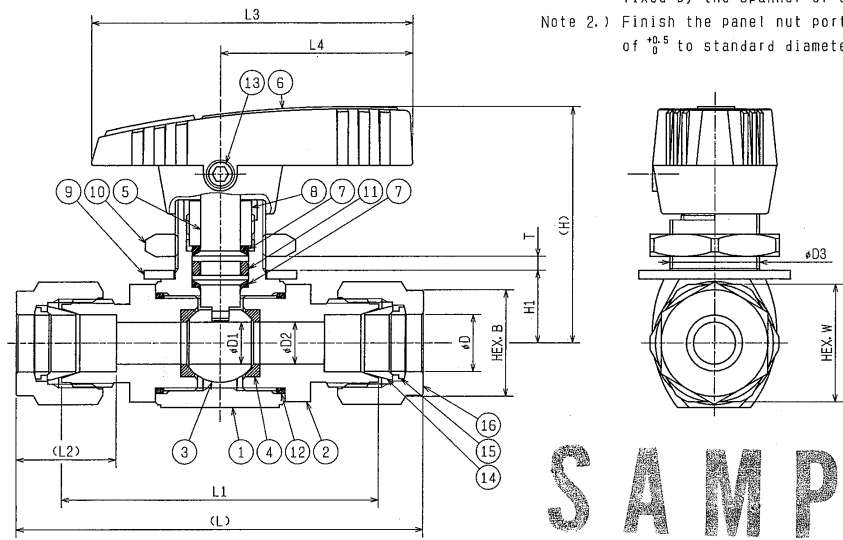
CONTRAST TABLE

CAREER



**Note on Selecting a Valve**  
 Since a fluororubber O-ring is used at the gland, the valve is not suited for use with corrosive or swelling fluids (ammonia, chlorofluorocarbon, acetic acid, nitrogen suboxide, ethylene oxide and acetone, etc.). If unsure of sealing material's conformability to fluids, contact Fujikin before selecting this valve.

- Note 1.) When ⑬ Nut is turned, the hexagonal opposite side of ② Socket shall be fixed by the spanner or something.
- Note 2.) Finish the panel nut port in range of  $+0.5$  to standard diameter.



**SAMPLE**

NOMINAL DIA. D	D1	D2	L	L1	L2	L3	L4	B	H	H1	W	D3	T		Cv VALUE	ITEM No.
													MIN	MAX		
3.2	5	2.7	58.2	45	12.7	47	28	10	38	11	17	14.5	1	5	0.34	PUBV-95-3.2
6.35	5	4.8	62.8	48	15.2	47	28	14	38	11	17	14.5	1	5	1.4	PUBV-95-6.35
9.52	7.5	7.1	68.8	54	16.8	57	34	17	42	13	21	16.5	1	5	3.5	PUBV-95-9.52
12.7	10	10.4	79.2	59	22.8	57	34	22	45	16	26	16.5	1	5	6.5	PUBV-95-12.7

REVISION				
REV. NO.	DATE	REVISED DESCRIPTION	REVISED	APPD.
⑤	'05-12-02	Dimension Change	K. O. S.	K. O. S.

REMARK

19				
18				
17				
16	NUT	SUS316	2	Ag PLATING
15	BACK RING	SUS316	2	
14	FRONT RING	SUS316	2	
13	SET SCREW	SUS304	1	
12	O RING	FPM	2	
11	O RING	FPM	1	
10	PANEL NUT	SUS304	1	
9	PANEL WASHER	SUS430	1	
8	GLAND BOLT	SUS316	1	
7	GLAND PACKING	G-PTFE	2	
6	HANDLE	ZDC2	1	BLACK
5	STEM	SUS316	1	
4	SHEET	G-PTFE	2	
3	BALL	SUS316	1	
2	SOCKET	SUS316	2	
1	BODY	SCS14	1	

PRT. NO. NAME OF PARTS MATERIAL QTY REMARK

**MATERIAL LIST**

DATE	'97-04-14	TEST PRESS.	MPa
SCALE	FREE	ITEM FLUID	GN <sub>2</sub>
APPD.	K. O. S.	SHELL	7.35
CHKD.	K. O. S.	SEAT	5.39
DESIGN	K. O. S.	BACKSEAT	
		SEAL	5.39

RECIPIENT

MODEL NO. PUBV-95-3.2~12.7

TRANSMARK OR MODEL NAME

NAME STAINLESS STEEL 4.90MPa POWERFULLOK TYPE BALL VALVE WITH PANEL NUT

DRG. NO. TU24037E REV. MARK ⑤

**Fujikin Incorporated**  
 株式会社 フジキン

060 PUBV-95 INCH 05V 2 CAB. NO. T1-04

PRINTED IN JAPAN 印刷機 印字機

CAREER	CONTRAST TABLE		NOMINAL SIZE (mm)																UNIT (mm)	THE THIRD ANGLE															
	NOMINAL SIZE (mm)	CONTRAST TABLE	6	8	10	15	20	25	32	40	50	65	80	90	100	125	150	200				250													
	OUTSIDE DIAMETER	CONTRAST TABLE	10	5	13	8	17	3	21	7	27	2	34	0	42	7	48	6				60	5	75	3	89	1	101	6	114	3	138	9	165	2