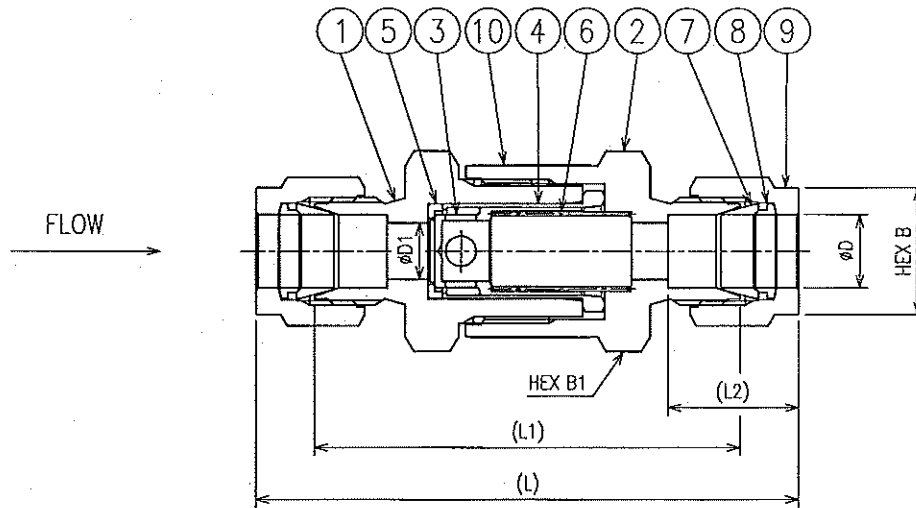


**BEFORE USING THIS VALVE:**

1. Because this valve employs fluororubber seat packing, it cannot be used with corrosive fluids (e.g., ammonia, Freons, acetic acid, nitrous oxides, ethylene oxide, acetone etc.) that may cause the packing to swell.
2. A fluorine-based lubricant is used on parts of the valve that come into contact with the fluid media. Therefore, this valve should not be used with solvents or other fluids that may dissolve or react with the lubricant. If you have any questions about the fluid media that you are planning to use, please contact Fujikin before selecting this valve.
3. This valve may be used within the following temperature range: -10°C to 200°C. Please contact Fujikin beforehand if you are planning to use this valve at temperatures that exceed 150°C. (For the maximum operating pressure of this valve, please refer to the brochure for this valve.)
4. The back pressure must be >0.1MPa in order for the valve to fully close.
5. Note that the valve will start opening at the cracking pressure, which is lower than the maximum operating pressure, and which will be achieved with normal constant flow.
6. With new valves or valves that have not been opened in a long time, the cracking pressure may be somewhat higher than normal.



NOMINAL DIA. D	ORIFICE D1	FACE TO FACE L	L1	L2	B	B1	CRACKING PRESSURE kPa	Cv VALUE (MAX.)	MASS (g)	ITEM No.
6.35	4	60.5	45.6	15.2	14	17	6.86	0.35	65	PUCL-922-6.35-0.07
9.52	7.5	71	56.3	16.8	17	23	6.86	1.1	125	PUCL-922-9.52-0.07
12.7	7.5	76.5	56.3	22.8	22	23	6.86	1.1	165	PUCL-922-12.7-0.07

REVISION				
REV. NO.	DATE	REVISED DESCRIPTION	REVISED	APPD.

REMARK

PARTIAL	NAME OF PARTS	MATERIAL	QTY	REMARK
15				
14				
13				
12				
11				
10	NAME PLATE	TETORON	1	
9	NUT	SUS316	2	Ag PLATING
8	BACK RING	SUS316	2	
7	FRONT RING	SUS316	2	
6	SPRING	SUS316	1	
5	SEAT PACKING	FLUORORUBBER	1	
4	GRAND	SUS316	1	
3	DISK	SUS316	1	
2	BODY 2	SUS316	1	
1	BODY 1	SUS316	1	

PARTIAL	NAME OF PARTS	MATERIAL	QTY	REMARK
---------	---------------	----------	-----	--------

MATERIAL LIST				
DATE	9.24.'08	TEST PRESS.	MPa	
SCALE	1.5/1	HYDRO	N <sub>2</sub> or He	
APPD.	<i>[Signature]</i>	SHELL	33	
CHKD.	<i>[Signature]</i>	SEAT	0.1&24.2	
DESIGN	<i>[Signature]</i>	BACKSEAT		
		SEAL	24.2	

RECEIPT  
MODEL NO.  
TRADEMARK OR MODEL NAME

NAME STAINLESS STEEL 22MPa POWERFULL-LOK TYPE LINE CHECK VALVES

DRG NO. U13558E REV.MARK 0

Fujikin Incorporated  
株式会社 フジキン

CAREER	CONTRAST TABLE	NOMINAL SIZE (A)	6	8	10	15	20	25	32	40	50	65	80	90	100	125	150	200	250	UNIT(mm)	THE THIRD ANGLE	CAB. NO.
		NOMINAL SIZE (B)	1/8	1/4	3/8	1/2	3/4	1	1 1/4	1 1/2	2	2 1/2	3	3 1/2	4	5	6	8	10			
		OUTSIDE DIAMETER	10.5	13.8	17.3	21.7	27.2	34.0	42.7	48.6	60.5	76.3	89.1	101.6	114.3	139.8	165.2	214.3	267.4			