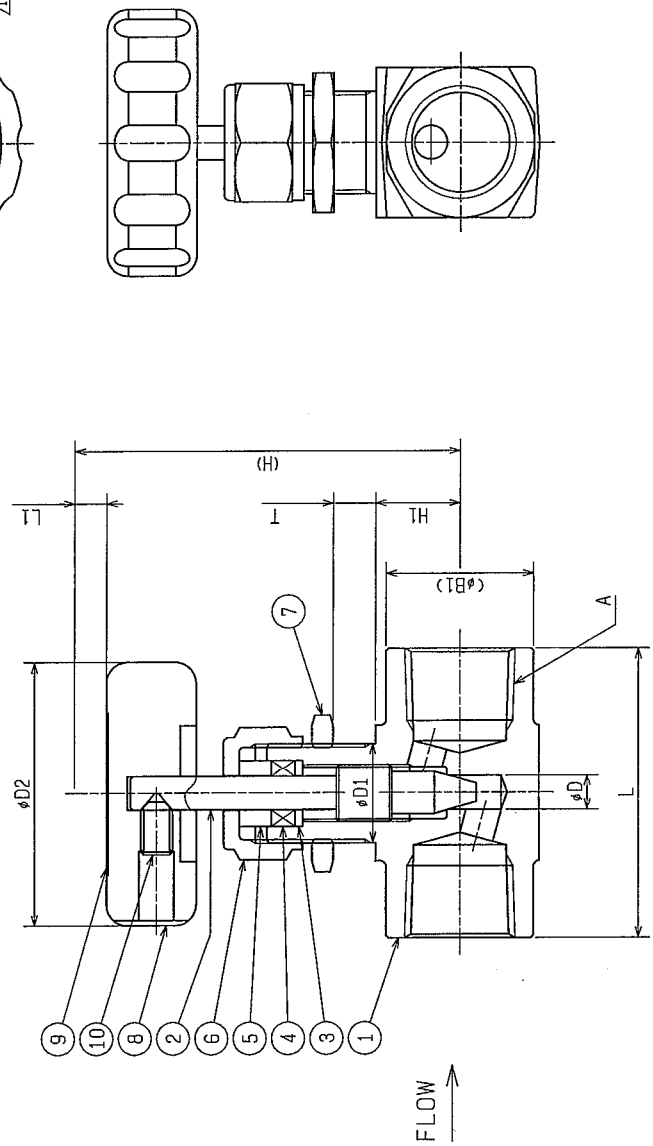
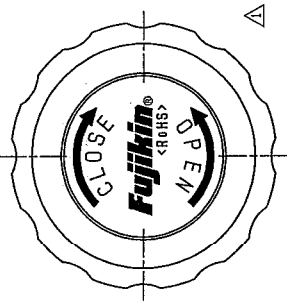


When ready to select a valve  
 A fluorine lubricant is used on valve surfaces that come in contact with liquid or gas media. Therefore, the valve is not suited for use with fluids such as solvents that might dissolve the lubricant. If unsure of medium reactions, contact Fujikin before selecting this valve.



NOMINAL D.I.A.	ORIFICE D.I.A.	END TO END	TUBE CONNECTION	PANEL INSTALLATION		FULL HEIGHT	LIFT	HANDLE DIA.	PANEL THICKNESS		CV VALUE (MAX)	MASS ABOUT (Kg)	ITEM No.
				D1	H1				MIN	MAX			
6 1/8	5	40	Rc1/8	13.2	11	55.5	4	40	2	6	0.30	0.2	PUH-116A-SH
8 1/4	5	40	Rc1/4	13.2	14	56.5	4	40	2	6	0.45	0.2	PUH-116B-SH
10 3/8	5	50	Rc3/8	13.2	16	60.5	4	40	2	6	0.45	0.3	PUH-116C-SH
15 1/2	6.5	55	Rc1/2	15.5	16	73	6	50	2	8	0.90	0.4	PUH-116D-SH

CAREER	CONTRAST TABLE		UNIT (mm)																									
			100	125	150	200	250	300	350	400	450	500	550	600	650	700	750	800	850	900								
	NOMINAL SIZE (A)	NOMINAL SIZE (B)	10	15	20	25	32	40	50	65	80	100	125	150	200	250	300	350	400	450	500	550	600	650	700	750	800	850

THE THIRD ANGLE

REVISION			
REV. NO.	DATE	REVISED DESCRIPTION	REVISED APPD.
△	09-10-20	Revision of content of NAME PLATE.	<i>R. Nishida</i>

REMARK 1. MATERIAL MARKING ON BODY IS 316  
 2. APPLY TEMPERATURE RANGE: -20~150C

NO.	NAME OF PARTS	MATERIAL	QTY	REMARK
15				
14				
13				
12				
11				
10	SET SCREW	SUS304	1	EQUIVALENT
9	NAME PLATE	TETORON	1	
8	HANDLE	A50568	1	BLACK
7	PANEL NUT	SUS304	1	
6	GLAND NUT	SUS304	1	
5	GLAND BUSH	SUS316	1	
4	GLAND PACKING	PTFE	1	
3	BUSH	SUS316	1	
2	STEM	SUS316	1	
1	BODY	SUSF316	1	

MATERIAL LIST

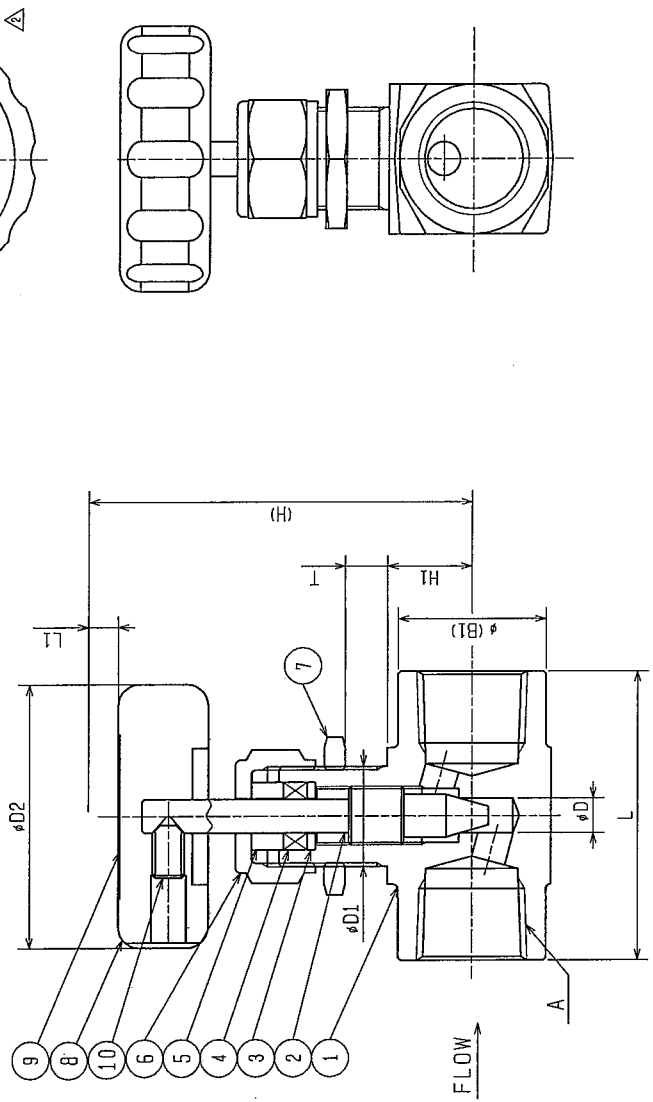
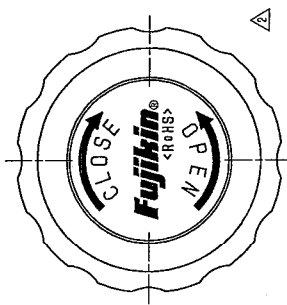
DATE	1. 8. 08	TEST PRESS.	MPa
SCALE	FREE	FLUID	HYDRO AIR
APPD.	<i>A. Nishida</i>	SHELL	24.3
CHKD.	<i>J. Nishida</i>	SEAT	17.9
DESIGN	<i>S. Obara</i>	BACKSEAT	
		SEAL	17.9

RECIPIENT	MODEL NO.	TRADEMARK OR MODEL NAME	NAME	DRG. NO.	REV. MARK
			STAINLESS STEEL 16.2MPa GLOBE TYPE NEEDLE VALVES	U144650E	1

Fujikin Incorporated  
 株式会社フジキン

051	PUH	CAB. NO.
PUH-KUM1ZU4	7	

When ready to select a valve  
 A fluorine lubricant is used on valve surfaces that come in contact with liquid or gas media. Therefore, the valve is not suited for use with fluids such as solvents that might dissolve the lubricant. If unsure of medium reactions, contact Fujiikin before selecting this valve.



REVISION			
REV. NO.	DATE	REVISED DESCRIPTION	REVISED APPD.
△	10.26.'10	revision of content of NAME PLATE	E. Masuda

REMARK APPLY TEMPERATURE RANGE: -20~+150C

PART. NO.	NAME OF PARTS	MATERIAL	Q'TY	REMARK
15				
14				
13				
12				
11				
10	SET SCREW	SUS304	1	EQUIVALENT
9	NAME PLATE	TETORON	1	
8	HANDLE	A5056B	1	BLACK
7	PANEL NUT	SUS304	1	
6	GLAND NUT	SUS304	1	
5	GLAND BUSH	SUS316	1	
4	GLAND PACKING	PTFE	1	
3	BUSH	SUS316	1	
2	STEM	SUS316	1	
1	BODY	SUSF316	1	

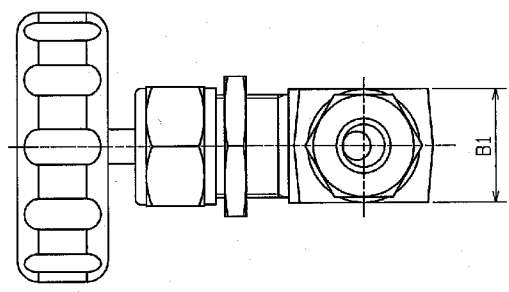
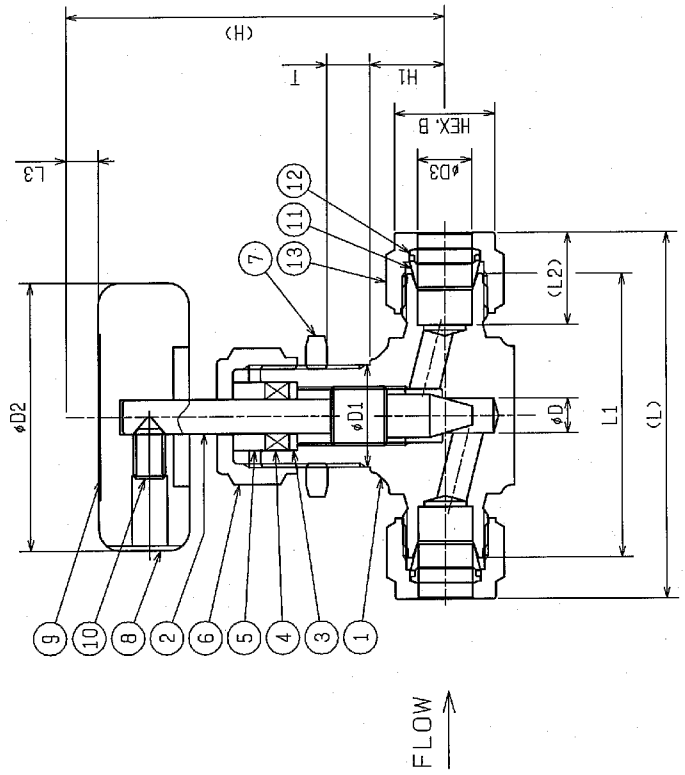
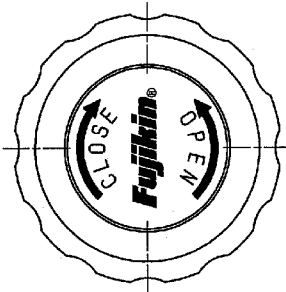
MATERIAL LIST

DATE	10.26.'06	TEST. PRESS.	MPa
SCALE	FREE	ITEM	HYDRO AIR
APPD.	J. Masuda	SHELL	24.3
CHKD.	J. Masuda	SEAT	17.9
DESIGN	E. Masuda	BACKSEAT	
RECIPIENT		SEAL	17.9

NOMINAL DIA.	ORIFICE DIA.	END TO END	TUBE CONNECTION	PANEL INSTALLATION		FULL HEIGHT	LIFT	HANDLE DIA.	PANEL THICKNESS		Cv VALUE (MAX)	MASS ABOUT (Kg)	ITEM No.
				D1	H1				MIN	MAX			
6 1/8	5	40	1/8NPT	13.2	11	55.5	4	40	2	6	0.30	0.2	PUH-116AN-SH
8 1/4	5	40	1/4NPT	13.2	14	58.5	4	40	2	6	0.45	0.2	PUH-116BN-SH
10 3/8	5	50	3/8NPT	13.2	16	60.5	4	40	2	6	0.45	0.3	PUH-116CN-SH
15 1/2	6.5	55	1/2NPT	19.5	16	73	6	50	2	8	0.90	0.4	PUH-116DN-SH

CAREER		UNIT (mm)	THE THIRD ANGLE	051	PUH-KUMIZU3	PUH	CAB. NO.
						16	

When ready to select a valve  
 A fluorine lubricant is used on valve surfaces that come in contact with liquid or gas media. Therefore, the valve is not suited for use with fluids such as solvents that might dissolve the lubricant. If unsure of medium reactions, contact Fujikin before selecting this valve.



NOMINAL DIA. D3	ORIFICE DIA. D	END TO END		TUBE CONNECTION		PANEL INSTALLATION		FULL HEIGHT H	LIFT L3	HANDLE DIA. D2	BODY WIDTH B1	PANEL THICKNESS MIN. MAX.	CY VALUE (MAX.)	MASS ABOUT (K9)	ITEM No.	
		L	L1	L2	B	D1	H1									
3	5	51.2	38	12.9	10	13.2	10.5	54	4	40	17	2	6	0.08	0.2	PUH-916-3-SH
4	5	56.2	43	13.7	12	13.2	10.5	54	4	40	17	2	6	0.10	0.2	PUH-916-4-SH
6	5	57.8	43	15.2	14	13.2	10.5	54	4	40	17	2	6	0.20	0.2	PUH-916-6-SH
8	5	58	43	16.2	16	13.2	10.5	54	4	40	17	2	6	0.38	0.2	PUH-916-8-SH
10	6.5	68.2	53	17.2	19	19.5	14	71	6	50	21	2	8	0.70	0.4	PUH-916-10-SH
12	6.5	73.2	53	22.8	22	19.5	14	71	6	50	21	2	8	0.78	0.4	PUH-916-12-SH

REVISION

REV. NO.	DATE	REVISED DESCRIPTION	REVISED	APPD.

REMARK 1. MATERIAL MARKING ON BODY IS 316.  
 2. APPLY TEMPERATURE RANGE:-20~150°C

PART. NO.	NAME OF PARTS	MATERIAL	QTY	REMARK
15				
14				
13	NUT	SUS316	2	A9 PLATING
12	BACK RING	SUS316	2	
11	FRONT RING	SUS316	2	
10	SET SCREW	SUS304	1	EQUIVALENT
9	NAME PLATE	TETORON	1	
8	HANDLE	A5056B	1	BLACK
7	PANEL NUT	SUS304	1	
6	GLAND NUT	SUS304	1	
5	GLAND BUSH	SUS316	1	
4	GLAND PACKING	PTFE	1	
3	BUSH	SUS316	1	
2	STEM	SUS316	1	
1	BODY	SUSF316	1	

MATERIAL LIST

DATE	11.19.07	TEST PRESS. MPa	
SCALE	FREE	HYDRO	AIR
APPD.	<i>[Signature]</i>	SHELL	24.3
CHKD.	<i>[Signature]</i>	SEAT	17.9
DESIGN	<i>[Signature]</i>	BACKSEAT	
RECIPIENT	<i>[Signature]</i>	SEAL	17.9

MODEL NO.	
TRACE/PAK OR	
MODEL NAME	
NAME	STAINLESS STEEL 16.2MPa GLOBE TYPE NEEDLE VALVES
DRG. NO.	U14643E REV. MARK 0

Fujikin Incorporated  
 株式会社フジキン