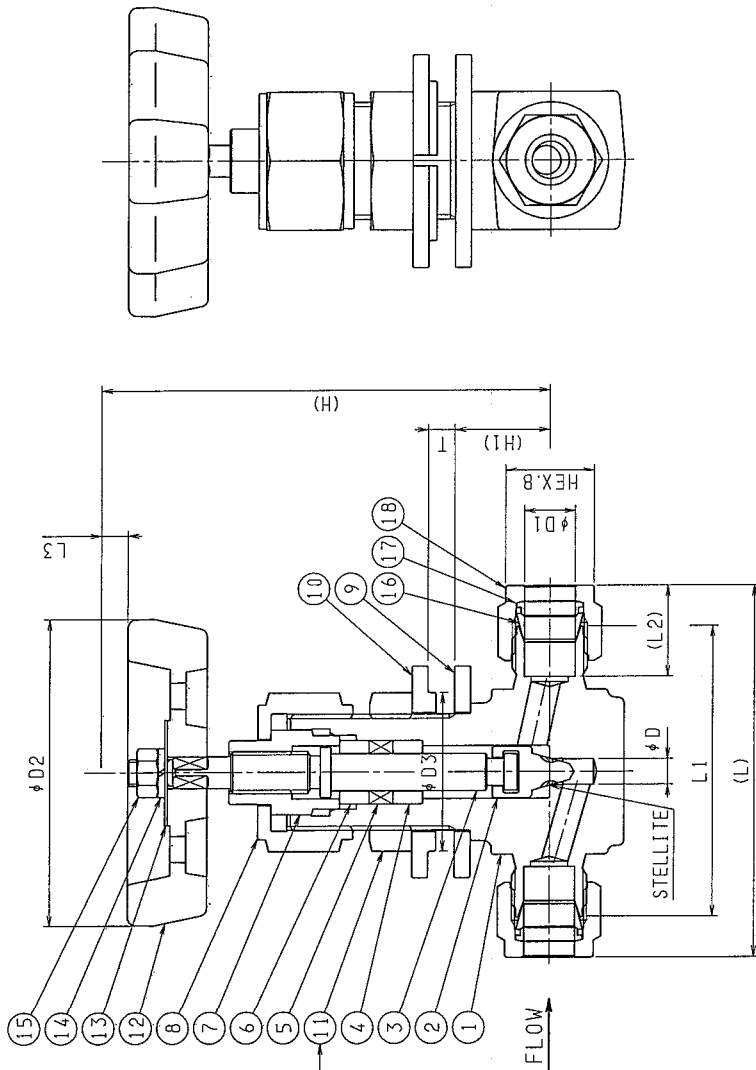


Valve selection instructions:

1. This valve's contact parts are lubricated with a fluorinated lubricant. Consequently, this valve should not be used with solvents or other fluids that may dissolve the lubricant. If you have questions about the feasibility of using a particular fluid, please contact us before using it.
2. When the valve is operated in a throttled position, the movement of the disk against the seat may be audible. Please contact us if you need a flow control valve.
3. Oil-free valves are optionally available. Please contact us for more details.
4. The maximum pressure rating for Powerfull fittings depends on the size of the fittings.

NOMINAL DIA.	The maximum pressure (MPa)
6.35	42
9.52	30
12.7	35

Valve installation instructions:
This valve is panel mounted. It can be installed without removing the gland nut. For more details, please see the "Panel Mounting Instructions."



NOMINAL DIA.	ORIFICE DIA.	END TO END		TUBE CONNECTION	PANEL INSTALLATION HEIGHT		LIFT	HANDLE DIA.	PANEL THICKNESS		CV VALUE (MAX.)	MASS (ABOUT) (Kg)	TEST PRESS. (MPa)			ITEM No.
		L	L1		D3	H1			MIN.	MAX.			SHELL HYDRO	SEAL N2 or He	SEAL IN2 or He	
6.35	5	64.5	50	L2	B	30.5	18	58	2	5	0.36	0.5	63	46.2	46.2	PUS-942P-6.35
9.52	5	69.5	55	L2	B	30.5	18	58	2	5	0.51	0.6	45	33	33	PUS-942P-9.52
12.7	6.5	84.2	64	L2	B	34	23	68	2	7	0.87	0.9	52.5	38.5	38.5	PUS-942P-12.7

NOMINAL SIZE (A)	NOMINAL SIZE (B)	OUTSIDE DIAMETER	CONTRAST TABLE			UNIT (mm)	THE THIRD ANGLE									
			10	15	20											
6	8	10	15	20	25	32	40	50	65	80	90	100	125	150	200	250
1/8	1/4	3/8	1/2	3/4	1	1 1/4	1 1/2	2	2 1/2	3	3 1/2	4	5	6	8	10

REVISION			
REV. NO.	DATE	REVISED DESCRIPTION	REVISED APPD.

REMARK MATERIAL MARKING ON BODY IS 316.

IB	NUT	SUS 316	2	Ag PLATING
17	BACK RING	SUS 316	2	
16	FRONT RING	SUS 316	2	
15	HEX. NUT	SUS 304	1	EQUIVALENT
14	WASHER	SUS 304	1	EQUIVALENT
13	NAME PLATE	A5052P	1	
12	HANDLE	ADC12	1	BLACK
11	PANEL NUT	SUS 304	1	
10	PANEL BUSH	SUS 304	1	
9	PANEL WASHER	SUS 304	1	
8	GLAND NUT	SUS 316	1	
7	PACKING	SUS 316	1	Size 6.35, 9.52 for SUS 316 only
6	GLAND BUSH	SUS 316	1	
5	GLAND PACKING	PEEK+G-PTFE	1	1SET
4	BUSH	SUS 316	1	
3	STEM	SUS 316	1	
2	DISK	SUS 316	1	STELLITE
1	BODY	SUSF316	1	

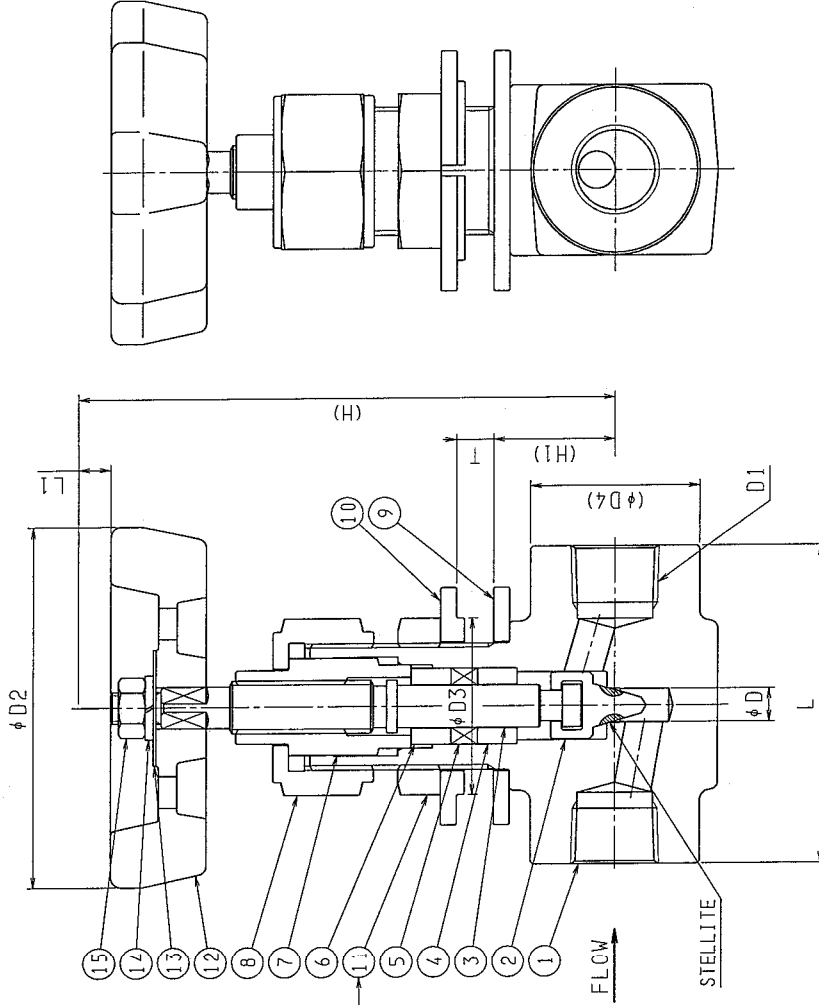
DATE	11.11.11	TEST PRESS.	MPa	REMARK
SCALE	FREE	HYDRO	AIR	
APPD.	J. Nishimura	SHELL		
CHKD.	J. Nishimura	SEAT		
DESIGN	K. Shiohara	BACKSEAT		
RECIPIENT		SEAL		
MODEL NO.				
TRADE MARK OR MODEL NAME				
NAME	STAINLESS STEEL POWERFULL-LOK TYPE STOP VALVES WITH PANEL NUT			
DRG. NO.	U144346E	REV. MARK	0	

Fujikin Incorporated
株式会社フジキン

Valve selection instructions:

1. This valve's contact parts are lubricated with a fluorinated lubricant. Consequently, this valve should not be used with solvents or other fluids that may dissolve the lubricant. If you have questions about the feasibility of using a particular fluid, please contact us before using it.
2. When the valve is operated in a throttled position, the movement of the disk against the seat may be audible. Please contact us if you need a flow control valve.
3. Oil-free valves are optionally available. Please contact us for more details.

Valve installation instructions:
 This valve is panel mounted. It can be installed without removing the gland nut. For more details, please see the "Panel Mounting Instructions."



NOMINAL SIZE	ORIFICE DIA.	FACE TO FACE	PIPE THREADS	PANEL INSTALLATION		FULL HEIGHT	LIFT	HANDLE DIA.	PANEL THICKNESS		CV VALUE (MAX.)	MASS (ABOUT) (Kg)	ITEM No.
				D3	H1				MIN.	MAX.			
8	1/4	50	1/4NPT	30.5	18	85	5	5.8	2	5	0.49	0.5	PUS-142PBN
10	3/8	60	3/8NPT	34	23	101	6	6.8	2	7	0.87	1.0	PUS-142PCN
15	1/2	60	1/2NPT	34	23	101	6	6.8	2	7	1.1	1.0	PUS-142PCN

NOMINAL SIZE (A)	NOMINAL SIZE (B)	OUTSIDE DIAMETER (C)	CONTRACT TABLE										UNIT (mm)	THE THIRD ANGLE			
			10	15	20	25	32	40	50	65	80	90			100	125	150
			1/2	3/4	1	1 1/4	1 1/2	2	2 1/2	3	3 3/4	4	5	6	8	10	

REVISION

REV. NO.	DATE	REVISED DESCRIPTION	REVISED	APPD.

REMARK MATERIAL MARKING ON BODY IS 316.

15	HEX. NUT	SUS 304	1	EQUIVALENT
14	WASHER	SUS 304	1	EQUIVALENT
13	NAME PLATE	A5052P	1	
12	HANDLE	ADC12	1	BLACK
11	PANEL NUT	SUS 304	1	
10	PANEL BUSH	SUS 304	1	
9	PANEL WASHER	SUS 304	1	
8	GLAND NUT	SUS 316	1	
7	PACKING GLAND SCREW	SUS 630 or SUS 316	1	Size available in SUS 630 only
6	PACKING GLAND BUSH	SUS 316	1	
5	GLAND PACKING	PEEK or PTFE	1 SET	
4	BUSH	SUS 316	1	
3	STEM	SUS 316	1	
2	DISK	SUS 316	1	STELLITE
1	BODY	SUS F316	1	

DATE	07.23.12	TEST PRESS.	MPa
SCALE	FREE	ITEM FLUID	HYDRO N2 or He
APPD.	J. M. K.	SHELL	6.3
CHKD.	J. M. K.	SEAT	46.2
DESIGN	K. S. S.	BACKSEAT	46.2
RECIPIENT		SEAL	46.2
MODEL NO.			
TRADE MARK OR MODEL NAME			

MATERIAL LIST

PART NO.	NAME OF PARTS	MATERIAL	QTY	REMARK

NAME	STAINLESS STEEL 42MPa SCREWED TYPE STOP VALVES WITH PANEL NUT	
DRG NO.	U144750E	REV. MARK 0

Fujikin Incorporated
 株式会社 フジキン

CAREER	CAB. NO.