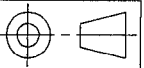


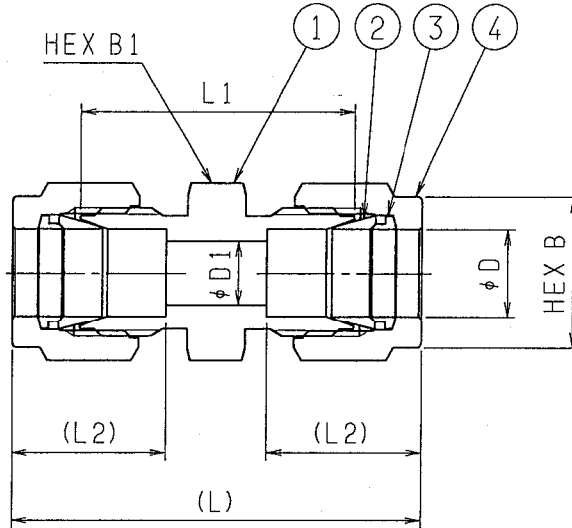
RECIPIENT

UNIT (mm)

THE THIRD ANGLE



REMARK



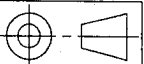
NOMINAL DIA. D	D1	B	B1	L	L1	L2	ITEM No.
1.6	1.3	8	8	25.1	17.5	8.6	PUWF-1.6
3.2	2.3	10	10	35.6	22.4	12.7	PUWF-3.2
6.35	4.8	14	14	41	26.2	15.2	PUWF-6.35
9.52	7.1	17	17	45	30.2	16.8	PUWF-9.52
12.7	10.4	22	22	51.2	31	22.8	PUWF-12.7
15.88	12.7	26	24	52	31.8	24.4	PUWF-15.88
19.05	15.7	29	27	53.5	33.3	24.4	PUWF-19.05
25.4	22.4	38	35	64.8	40.4	31.2	PUWF-25.4



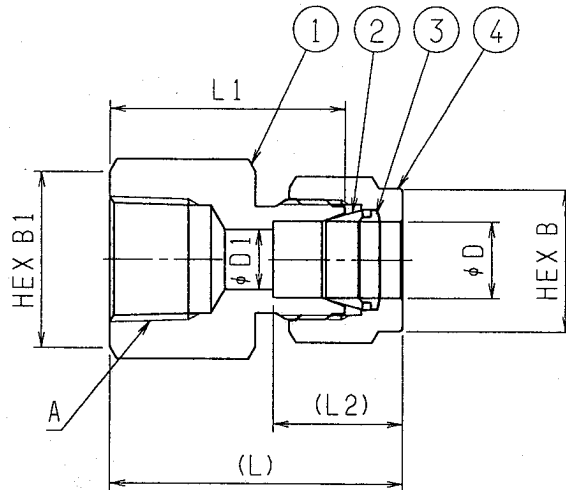
				14				
				13				
△	09.18.'07	Rev.		12				
REV. NO.	DATE	REVISED DESCRIPTION	REVISED	APPD.	11			
REVISION				10				
DATE	09.29.'92	TEST PRESS.		9				
SCALE	FREE	ITEM	FLUID	8				
APPD.	<i>J. Mohri</i>	SHELL		7				
CHKD.	<i>J. Mohri</i>	SEAT		6				
DESIGN	<i>J. Mohri</i>	BACKSEAT		5				
MODEL NO.		SEAL		4	NUT	SUS316	2	Ag PLATING
TRADEMARK OR MODEL NAME				3	BACK RING	SUS316	2	
				2	FRONT RING	SUS316	2	
				1	BODY	SUS316	1	
NAME	STAINLESS STEEL POWERFULL-LOK STRAIGHT UNION			PART. NO.	NAME OF PARTS	MATERIAL	Q' TY	REMARK
	Fujikin Incorporated 株式会社 フジキン			MATERIAL LIST				
CAREER				DRG. NO.	TU33118E	REV. MARK	△ 2	
				CAB. NO.				

RECIPIENT

UNIT (mm) THE THIRD ANGLE

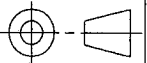


REMARK

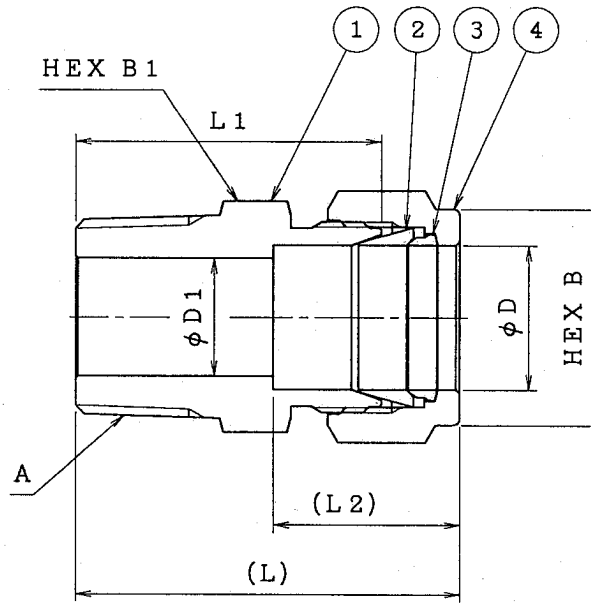


NOMINAL DIA. D	A	D1	B	B1	L	L1	L2	ITEM No.
1.6	1/8NPT	1.3	8	14	24.4	20.6	8.6	PUWG-1.6AN
3.2	1/8NPT	2.3	10	14	28.7	22.1	12.7	PUWG-3.2AN
3.2	1/4NPT	2.3	10	17	33.5	26.9	12.7	PUWG-3.2BN
6.35	1/8NPT	4.8	14	14	31.3	23.9	15.2	PUWG-6.35AN
6.35	1/4NPT	4.8	14	17	35.8	28.4	15.2	PUWG-6.35BN
6.35	3/8NPT	4.8	14	21	37.6	30.2	15.2	PUWG-6.35CN
6.35	1/2NPT	4.8	14	26	42.5	35.1	15.2	PUWG-6.35DN
9.52	1/8NPT	7.1	17	17	32.8	25.4	16.8	PUWG-9.52AN
9.52	1/4NPT	7.1	17	17	37.6	30.2	16.8	PUWG-9.52BN
9.52	3/8NPT	7.1	17	21	39.2	31.8	16.8	PUWG-9.52CN
9.52	1/2NPT	7.1	17	26	44	36.6	16.8	PUWG-9.52DN
12.7	1/8NPT	7	22	22	35.5	25.4	22.8	PUWG-12.7AN
12.7	1/4NPT	10.4	22	22	40.3	30.2	22.8	PUWG-12.7BN
12.7	3/8NPT	10.4	22	22	41.9	31.8	22.8	PUWG-12.7CN
12.7	1/2NPT	10.4	22	26	46.7	36.6	22.8	PUWG-12.7DN

					14			
					13			
△	11.7.08	Rev.		<i>small</i>	12			
REV. NO.	DATE	REVISED DESCRIPTION	REVISED	APPD.	11			
REVISION					10			
DATE	11.16.04	TEST PRESS.	FLUID ITEM SHELL SEAT BACKSEAT SEAL		9			
SCALE	FREE				8			
APPD.	<i>[Signature]</i>				7			
CHKD.	<i>[Signature]</i>				6			
DESIGN	<i>S. Mahikawa</i>				5			
MODEL NO.					4	NUT	SUS316	1
TRADEMARK OR MODEL NAME			3	BACK RING	SUS316	1		
NAME	STAINLESS STEEL POWERFULL-LOK FEMALE CONNECTOR			2	FRONT RING	SUS316	1	
	Fujikin Incorporated 株式会社 フジキン			1	BODY	SUS316	1	
CAREER				MATERIAL LIST				
				DRG. NO.	TU33123E	REV. MARK	△ 1	
				CAB. NO.				



REMARK



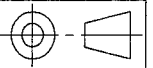
NOMINAL DIA. D	A	D1	B	B1	L	L1	L2	ITEM No.
15.88	1/2NPT	11.9	26	24	49	38.9	24.4	PUWH-15.88DN
15.88	3/4NPT	12.7	26	27	50.5	40.4	24.4	PUWH-15.88EN
19.05	1/2NPT	11.9	29	27	50.5	40.4	24.4	PUWH-19.05DN
19.05	3/4NPT	15.7	29	27	50.5	40.4	24.4	PUWH-19.05EN
19.05	1NPT	15.7	29	35	57.1	47	24.4	PUWH-19.05FN
25.4	3/4NPT	15.7	38	35	57.4	45.2	31.2	PUWH-25.4EN
25.4	1NPT	22.4	38	35	62.2	50	31.2	PUWH-25.4FN

				14				
				13				
△	03.03.10	Addition	<i>J. Nakahara</i>	12				
REV. NO.	DATE	REVISED DESCRIPTION	REVISED	APPD.	11			
REVISION				10				
DATE	02.08.05	TEST PRESS.		9				
SCALE	FREE	FLUID	/	8				
APPD.	<i>J. Nakahara</i>	SHELL		7				
CHKD.	<i>J. Nakahara</i>	SEAT		6				
DESIGN	<i>J. Nakahara</i>	BACKSEAT		5				
		SEAL		4	NUT	SUS316	1	Ag PLATING
MODEL NO.				3	BACK RING	SUS316	1	
TRADEMARK OR MODEL NAME				2	FRONT RING	SUS316	1	
				1	BODY	SUS316	1	
NAME STAINLESS STEEL POWERFULL-LOK MALE CONNECTOR				PART. NO.	NAME OF PARTS	MATERIAL	Q'TY	REMARK
Fujikin Incorporated 株式会社 フジキン				MATERIAL LIST				
CAREER				DRG. NO.	U334588E	REV. MARK	△	1
				CAB. NO.				

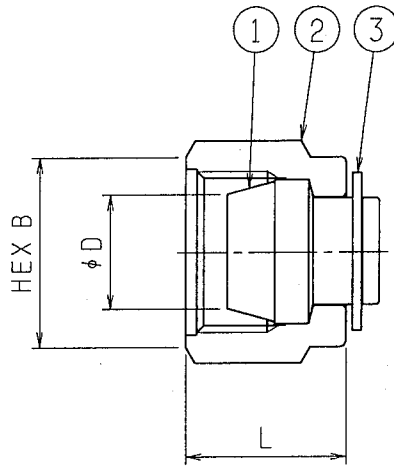
RECIPIENT \_\_\_\_\_

UNIT (mm)

THE THIRD ANGLE



REMARK



NOMINAL DIA. D	B	L	ITEM No.
1.6	8	7.9	PUWJP-1.6
3.2	10	11.8	PUWJP-3.2
6.35	14	12.7	PUWJP-6.35
9.52	17	14.2	PUWJP-9.52
12.7	22	17.5	PUWJP-12.7
15.88	26	17.5	PUWJP-15.88
19.05	29	17.5	PUWJP-19.05
25.4	38	20.7	PUWJP-25.4

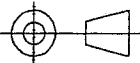


					14				
					13				
▲	09.18.'07	Rev.		<i>J.H.L. J.H.L.</i>	12				
REV. NO.	DATE	REVISED DESCRIPTION	REVISED	APPD.	11				
REVISION					10				
DATE	10.06.'93	TEST PRESS.			9				
SCALE	FREE	ITEM	FLUID		8				
APPD.	<i>J.H.L.</i>	SHELL			7				
CHKD.	<i>J.H.L.</i>	SEAT			6				
DESIGN	<i>J. Nishikawa</i>	BACKSEAT			5				
		SEAL			4				
MODEL NO.					3	E RING	SUS304	1	
TRADEMARK OR MODEL NAME					2	NUT	SUS316	1	Ag PLATING
					1	BODY	SUS316	1	
NAME	STAINLESS STEEL POWERFULL-LOK PLUG UNION				PART. NO.	NAME OF PARTS	MATERIAL	Q' TY	REMARK
	Fujikin Incorporated 株式会社 フジキン				MATERIAL LIST				
CAREER					DRG. NO.	TU33144E	REV. MARK	▲	1
							CAB. NO.		

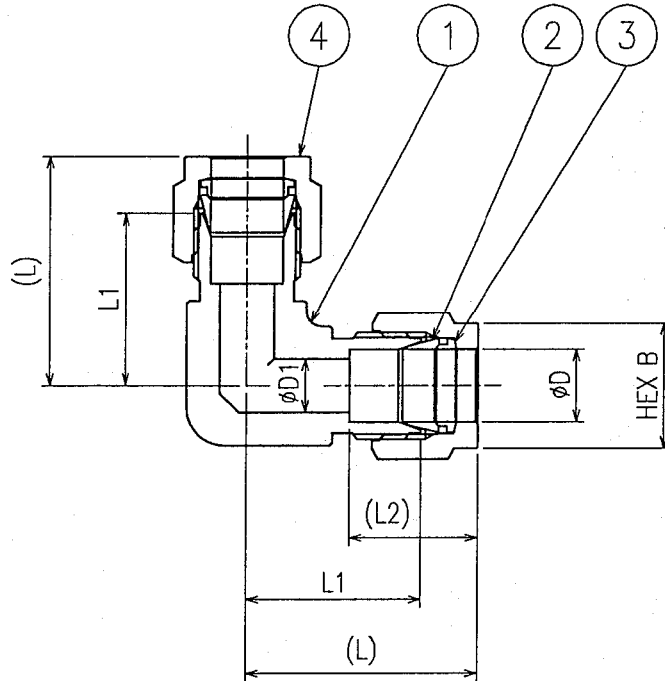
RECIPIENT \_\_\_\_\_

UNIT(mm)

THE THIRD ANGLE



REMARK \_\_\_\_\_



NOMINAL DIA. D	D1	B	L	L1	L2	ITEM No.
3.2	2.3	10	22.3	15.7	12.7	PUWL-3.2
6.35	4.8	14	27	19.6	15.2	PUWL-6.35
9.52	7.1	17	30.5	23.1	16.8	PUWL-9.52
12.7	10.4	22	36	25.9	22.8	PUWL-12.7

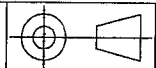


				14				
				13				
△	7.12.'08	Rev.	<i>K. I. Yamamoto</i>	12				
REV. NO.	DATE	REVISED DESCRIPTION	REVISED	APPD.	11			
REVISION				10				
DATE	10.6.'93	TEST PRESS.		9				
SCALE	FREE	ITEM	FLUID	8				
APPD.	<i>J. M. Nakamura</i>	SHELL		7				
CHKD.	<i>J. M. Nakamura</i>	SEAT		6				
DESIGN	<i>K. I. Yamamoto</i>	BACKSEAT		5				
MODEL NO.		SEAL		4	NUT	SUS316	2	Ag Plating
TRADEMARK OR MODEL NAME				3	BACK RING	SUS316	2	
NAME	STAINLESS STEEL POWERFULL-LOK ELBOW UNON			2	FRONT RING	SUS316	2	
	Fujikin Incorporated 株式会社 フジキン			1	BODY	SUSF316	1	
CAREER				PART.NO.	NAME OF PARTS	MATERIAL	Q'TY	REMARK
				MATERIAL LIST				
				DRG.NO.	TU33127E	REV.MARK	△	3
				CAB. NO.				

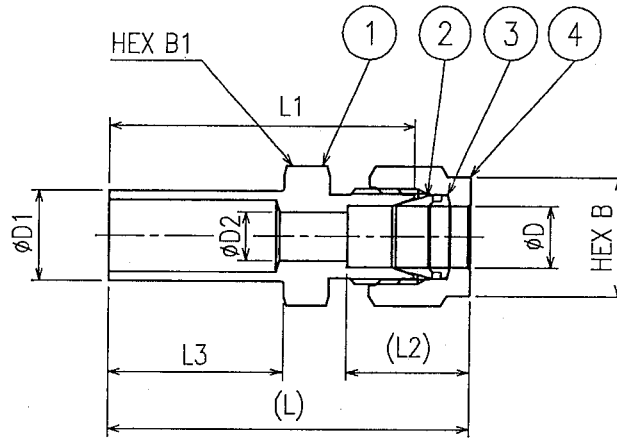
RECIPIENT \_\_\_\_\_

UNIT(mm)

THE THIRD ANGLE



REMARK \_\_\_\_\_



NOMINAL DIA D	D1	D2	B	B1	L	L1	L2	L3	ITEM No.
1.6	6.35	1.3	8	8	31.5	27.7	8.6	15.5	PUWR-1.6X6.35
3.2	1.6	0.8	10	10	29	22.4	12.7	9	PUWR-3.2X1.6
3.2	6.35	2.3	10	10	36.1	29.5	12.7	15.5	PUWR-3.2X6.35
3.2	9.52	2.3	10	12	38.1	31.5	12.7	17.5	PUWR-3.2X9.52
6.35	3.2	2	14	14	36.9	29.5	15.2	13.8	PUWR-6.35X3.2
6.35	6.35	4.3	14	14	39.2	31.8	15.2	15.5	PUWR-6.35X6.35
6.35	9.52	4.8	14	14	41.2	33.8	15.2	17.5	PUWR-6.35X9.52
6.35	12.7	4.8	14	14	47.3	39.9	15.2	24	PUWR-6.35X12.7
6.35	19.05	4.8	14	22	48.8	41.4	15.2	25.5	PUWR-6.35X19.05
9.52	6.35	4.3	17	17	41.4	34	16.8	15.5	PUWR-9.52X6.35
9.52	9.52	7.1	17	17	43.7	36.3	16.8	17.5	PUWR-9.52X9.52
9.52	12.7	7.1	17	17	49.5	42.1	16.8	24	PUWR-9.52X12.7
9.52	19.05	7.1	17	22	51.3	43.9	16.8	25.5	PUWR-9.52X19.05
12.7	6.35	4.3	22	22	44.9	34.8	22.8	15.5	PUWR-12.7X6.35
12.7	9.52	7.1	22	22	47.2	37.1	22.8	17.5	PUWR-12.7X9.52
12.7	19.05	10.4	22	22	54.8	44.7	22.8	25.5	PUWR-12.7X19.05
19.05	12.7	9.5	29	29	54.6	44.5	24.4	24	PUWR-19.05X12.7

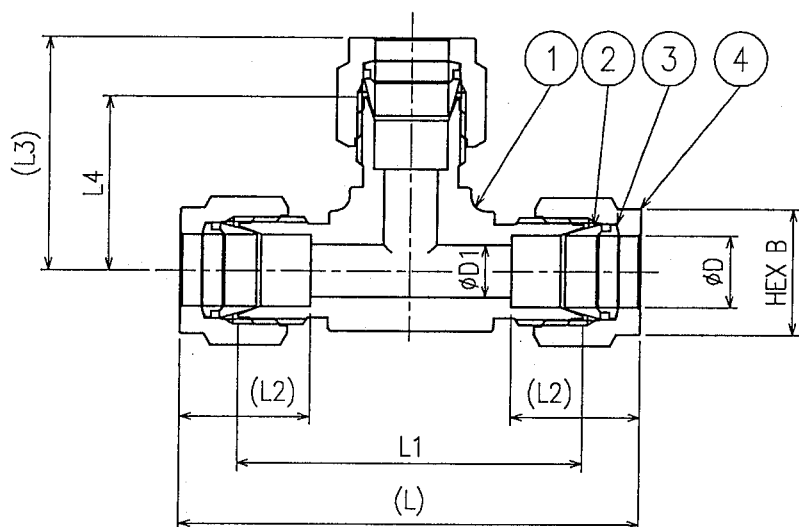


REV. NO.	DATE	REVISED DESCRIPTION	REVISED	APPD.	14				
	9. 14. '07	Rev.			13				
REVISION					12				
DATE	10. 6. '94	TEST PRESS.			11				
SCALE	FREE	ITEM	FLUID		10				
APPD.	<i>J. Nakahara</i>	SHELL			9				
CHKD.	<i>J. Nakahara</i>	SEAT			8				
DESIGN	<i>K. Yamamoto</i>	BACKSEAT			7				
		SEAL			6				
MODEL NO.					5				
TRADEMARK OR MODEL NAME					4	NUT	SUS316	1	Ag Plating
					3	BACK RING	SUS316	1	
					2	FRONT RING	SUS316	1	
					1	BODY	SUS316	1	
NAME	STAINLESS STEEL POWERFUL-LOK REDUCER				PART.NO.	NAME OF PARTS	MATERIAL	Q'TY	REMARK
	Fujikin Incorporated 株式会社 フジキン				MATERIAL LIST				
CAREER					DRG.NO.	TU33126E	REV.MARK	.1	
					CAB. NO.				

RECIPIENT \_\_\_\_\_

UNIT(mm) THE THIRD ANGLE 

REMARK \_\_\_\_\_



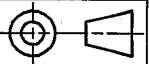
NOMINAL DIA. D	D1	B	L	L1	L2	L3	L4	ITEM No.
1.6	1.3	8	35.6	28	8.6	17.8	14	PUWT-1.6
3.2	2.3	10	44.6	31.4	12.7	22.3	15.7	PUWT-3.2
6.35	4.8	14	54	39.2	15.2	27	19.6	PUWT-6.35
9.52	7.1	17	61	46.2	16.8	30.5	23.1	PUWT-9.52
12.7	10.4	22	72	51.8	22.8	36	25.9	PUWT-12.7
15.88	12.7	26	77.6	57.4	24.4	38.8	28.7	PUWT-15.88
19.05	15.7	29	79.6	59.4	24.4	39.8	29.7	PUWT-19.05
25.4	22.4	38	98	73.6	31.2	49	36.8	PUWT-25.4

				14					
				13					
△	7. 2. '07	Rev.		12					
REV. NO.	DATE	REVISED DESCRIPTION	REVISED	APPD.	11				
REVISION					10				
DATE	10. 6. '93	TEST PRESS.			9				
SCALE	FREE	FLUID			8				
APPD.	<i>[Signature]</i>	SHELL			7				
CHKD.	<i>[Signature]</i>	SEAT			6				
DESIGN	<i>[Signature]</i>	BACKSEAT			5				
		SEAL			4	UNION NUT	SUS316	3 Ag Plating	
MODEL NO.					3	BACK RING	SUS316	3	
TRADEMARK OR MODEL NAME					2	FRONT RING	SUS316	3	
					1	BODY	SUS316	1	
NAME	STAINLESS STEEL POWERFULL-LOK TEE UNION				PART.NO.	NAME OF PARTS	MATERIAL	Q'TY	REMARK
	Fujikin Incorporated 株式会社 フジキン				MATERIAL LIST				
CAREER					DRG.NO.	TU33132E	REV.MARK	△	3
					CAB. NO.				

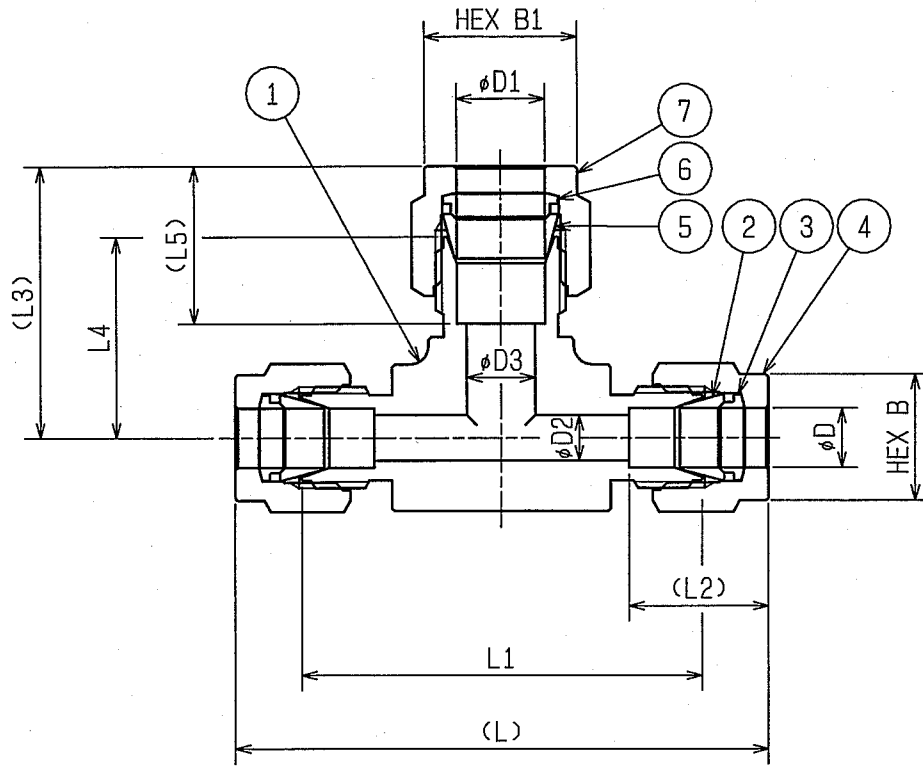
RECIPIENT \_\_\_\_\_

UNIT (mm)

THE THIRD ANGLE



REMARK



NOMINAL DIA. D	NOMINAL DIA. D1	D2	D3	B	B1	L	L1	L2	L3	L4	L5	ITEM No.
3.2	6.35	2.3	4.8	10	14	49.2	36	12.7	27	19.6	15.2	PUWT-3.2X3.2X6.35
6.35	9.52	4.8	7.1	14	17	57.8	43	15.2	30.5	23.1	16.8	PUWT-6.35X6.35X9.52
9.52	12.7	7.1	10.4	17	22	66.6	51.8	16.8	36	25.9	22.8	PUWT-9.52X9.52X12.7

REV. NO.	DATE	REVISED DESCRIPTION	REVISED	APPD.	14	13	12	11	10	9	8	7	6	5	4	3	2	1
①	12.24.'08	Addition. Rev.																
REVISION																		
DATE	8.7.'03	TEST PRESS.																
SCALE	FREE	ITEM	FLUID															
APPD.	<i>J. Nakamura</i>	SHELL																
CHKD.	<i>J. Nakamura</i>	SEAT																
DESIGN	<i>K. J. diameter</i>	BACKSEAT																
MODEL NO.		SEAL																
TRADEMARK OR MODEL NAME																		
NAME	STAINLESS STEEL POWERFULL-LOK REDUCING TEE UNION				PART. NO.	NAME OF PARTS		MATERIAL	QTY	REMARK								
	Fujikin Incorporated 株式会社 フジキン				MATERIAL LIST													
CAREER					DRG. NO.	U334675E		REV. MARK	①									
	070	PUW																
	T	13	CAB. NO.															