

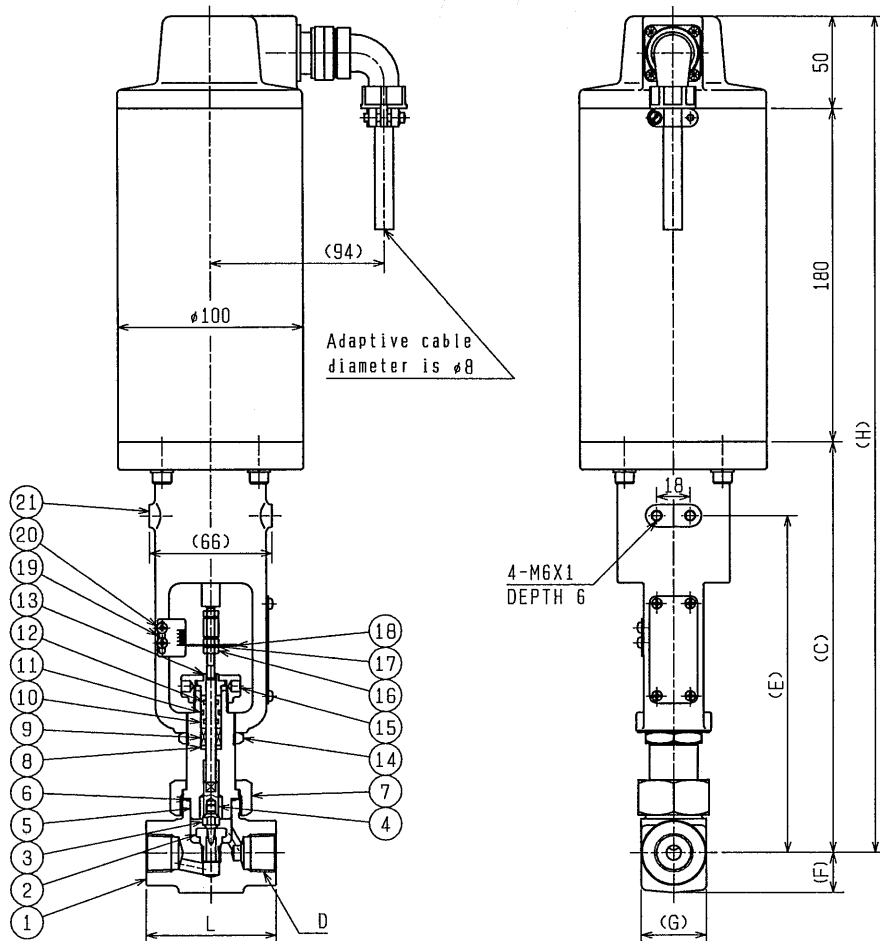
Wiring diagram

Connector Terminal No.	Driving Unit Terminal No.	
A	3	OUT
B	4	
C	5	FB
D	6	
E	7	

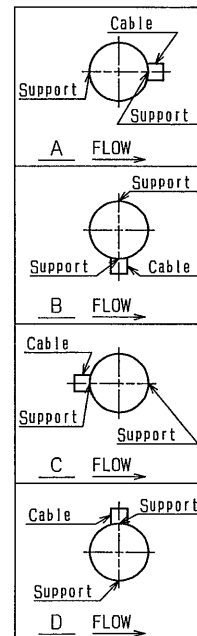
Detailed drawing of Connector Terminal

Piping Suggestions

- In the piping, the tubes should be fixed onto a vibration-free structure such as a wall, a column with brackets, etc., with the support screws (M6) provided on the side surface of the actuator.
- Over-tightening the screws may place strain on the valve and interfere with its performance. Position the valve as close as possible to the supporting structure before securing with the screws, and do not over-tighten the screws to force the valve in place.
- The valve must be installed with the actuator up.



Connecting direction of cable



UNIT: mm

NOMINAL SIZE	D		L	H	C	E	F	G	ITEM No.	Cv VALUE
	A	B								
6	1/8	Rc1/8	70	453	223	183	22	35	S2R-115WA-※-ER	UNDER 0.5
8	1/4	Rc1/4								
10	3/8	Rc3/8								
15	1/2	Rc1/2	100	467	237	197	30	52	S2R-115WD-※-ER	0.7
8	1/4	Rc1/4								
10	3/8	Rc3/8								
15	1/2	Rc1/2								
20	3/4	Rc3/4								
25	1	Rc1								

NOTE

- ※ Indicates characteristic and Cv value number.
- Test pressure and allowable seat leakage volume is specified on each occasion, because it varies according to the specifications.  
(Allowable seat leakage volume : Ratio against rated Cv value  $1 \times 10^{-4}$ )
- \*A\* Indicates the standard cable connecting direction and support position.
- Material marking on body is 316.

20	CROSS RECESSED HEAD SCREWS	SUS304	2	EQUIVALENT
21	ACTUATOR		1SET	

REVISION				
REV. NO.	DATE	REVISED DESCRIPTION	REVISED	APPD.

REMARK

19	LIFT SCALE	SUS304	1	
18	INDICATOR	SUS304	1	
17	SPRING WASHER	SUS304	1	EQUIVALENT
16	HEX. NUT	SUS304	1	EQUIVALENT
15	GLAND NUT	SUS304	1	
14	LOCK NUT	SUS304	1	
13	GLAND BUSH	SUS304	1	
12	O RING	EPDM	2	
11	O RING	EPDM	1	
10	O RING HOLDER	SUS316	1	
9	GLAND PACKING	PTFE	1SET	
8	PACKING SHEET	SUS316	1	
7	BONNET NUT	SUS304	1	
6	GASKET	SUS316	1	
5	BONNET	SUS316	1	
4	STEM	SUS316	1	
3	DISK	SUS316	1	STELLITE No. 12
2	SEAT	SUS316	1	STELLITE No. 6
1	BODY	SUSF316	1	NOTE 4

PART. NO.	NAME OF PARTS	MATERIAL	Q'TY	REMARK
-----------	---------------	----------	------	--------

MATERIAL LIST

DATE	7. 6. ' 10	TEST PRESS.	
SCALE	FREE	ITEM	FLUID
APPD.	<i>M. Nagao</i>	SHELL	
CHKD.	<i>A. Shibata</i>	SEAT	
DESIGN	<i>M. Nagao</i>	BACKSEAT	
		SEAL	

RECIPIENT	
MODEL NO.	
TRADEMARK OR MODEL NAME	
NAME	STAINLESS STEEL REVERSE ACTION TYPE SR100 (300N)
DRG. NO.	U88766E
REV. MARK	0

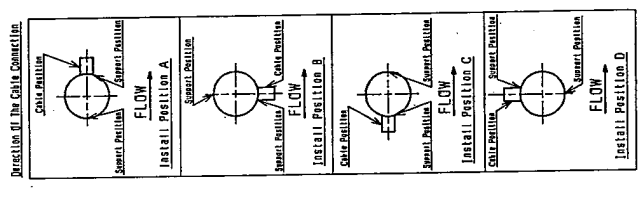
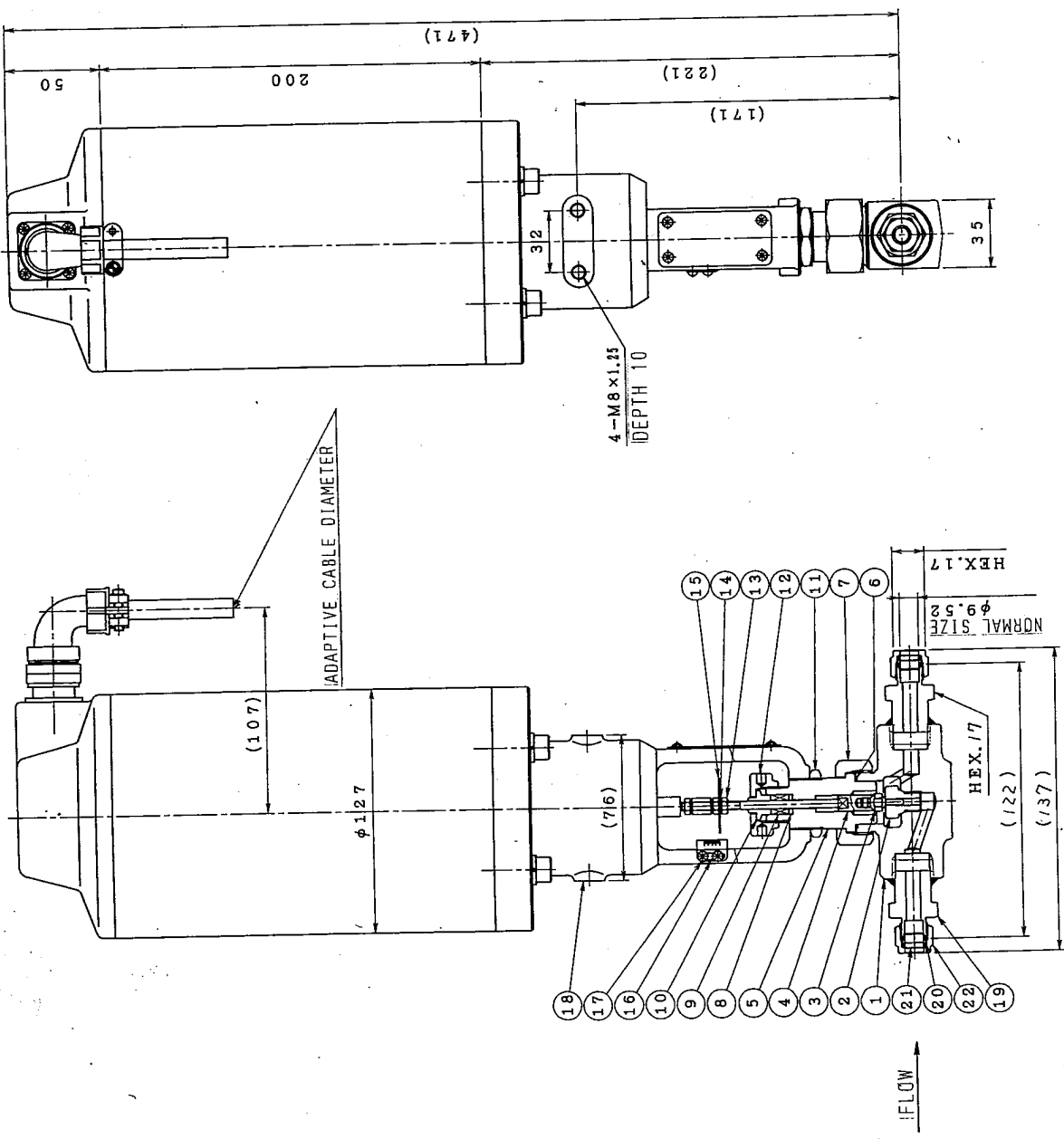
Fujikin Incorporated  
株式会社 フジキン

CAREER	CONTRAST TABLE																UNIT (mm)	THE THIRD ANGLE	010 SR100	CAB. NO.	CC-05		
	NOMINAL SIZE (A)	6	8	10	15	20	25	32	40	50	65	80	90	100	125	150						200	250
	NOMINAL SIZE (B)	1/8	1/4	3/8	1/2	3/4	1	1 1/4	1 1/2	2	2 1/2	3	3 1/2	4	5	6						8	10
	OUTSIDE DIAMETER	10.5	13.8	17.3	21.7	27.2	34.0	42.7	48.6	60.5	76.3	89.1	101.6	114.3	139.8	165.2	216.3	267.4					

REVISION		REVISED	APPD.
REV. MARK	DATE	CONTENTS	

REMARK			
22 NUT	SUS316	2	Ag Plating
21 BACK FERRULE	SUS316	2	
20 FRONT FERRULE	SUS316	2	
19 JOINT	SUS316	2	PUWH-9.52C
18 ACTUATOR	—	1	Isset
17 SET SCREW	SUS304	2	
16 LIFT SCALE	SUS304	1	
15 INDICATOR	SUS304	1	
14 SPRING WASHER	SUS304	1	
13 HEX NUT	SUS304	2	
12 GLAND NUT	SUS304	1	
11 LOCK NUT	SUS304	1	
10 GLAND BUSH	SUS304	1	
9 GLAND PACKING	PTFE	1	Isset
8 SHEET PACKING	SUS316	1	
7 BONNET NUT	SUS304	1	
6 GASKET	SUS316	1	
5 BONNET	SUS316	1	
4 STEM	SUS316	1	
3 DISK	SUS316	1	STELLITE
2 SEAT	SUS316	1	STELLITE
1 BODY	SUSF316	1	NO.6

PART. NO.		NAME OF PARTS		MATERIAL		REMARK		G. T. NO.	
DATE	'99-01-13	T	Kg/cm <sup>2</sup>	HYDRO	AIR				
SCALE	FREE	SHELL	SEAT	BACK SEAT	SEAL				
APPD.	<i>J. Shimizu</i>	CHKD.	<i>J. Shimizu</i>	DESIGN	<i>M. Sogawa</i>				
RECIPIENT									
ITEM NO.	S3R-915-P952-※-CEZ								
TRADEMARK									
NAME	REVERSE OPERATION TYPE PRETORONIC <sup>®</sup> SR-100 (45kgf)								
DRG. NO.	U08620E								
REV. MARK	0								



NOTE: Test pressure is specified on each occasion, because it varies according to the specifications.

1. The standard support position and direction of the cable connections are in accordance with install position A.

2. Material marking on body is 316.

3. \* Indicates Cv value number.

4. For fittings, the hexagonal part (HEX. 17) of the body can be tightened by a spanner.

UNIT [mm]	THE THIRD ANGLE	010	ADM-115	CAB. NO.
7EJY	15	7EJY	15	7EJY

CONTRAST TABLE	NOMINAL SIZE (A)	6	8	10	15	20	25	32	40	50	65	80	100	125	150	200	250		
	NOMINAL SIZE (B)	1/4	1/4	1/4	3/8	1/2	3/4	1	1 1/4	1 1/2	2	2 1/2	3	3 1/2	4	5	6	8	10

Fujikin Incorporated  
株式会社フジキン<sup>®</sup>