

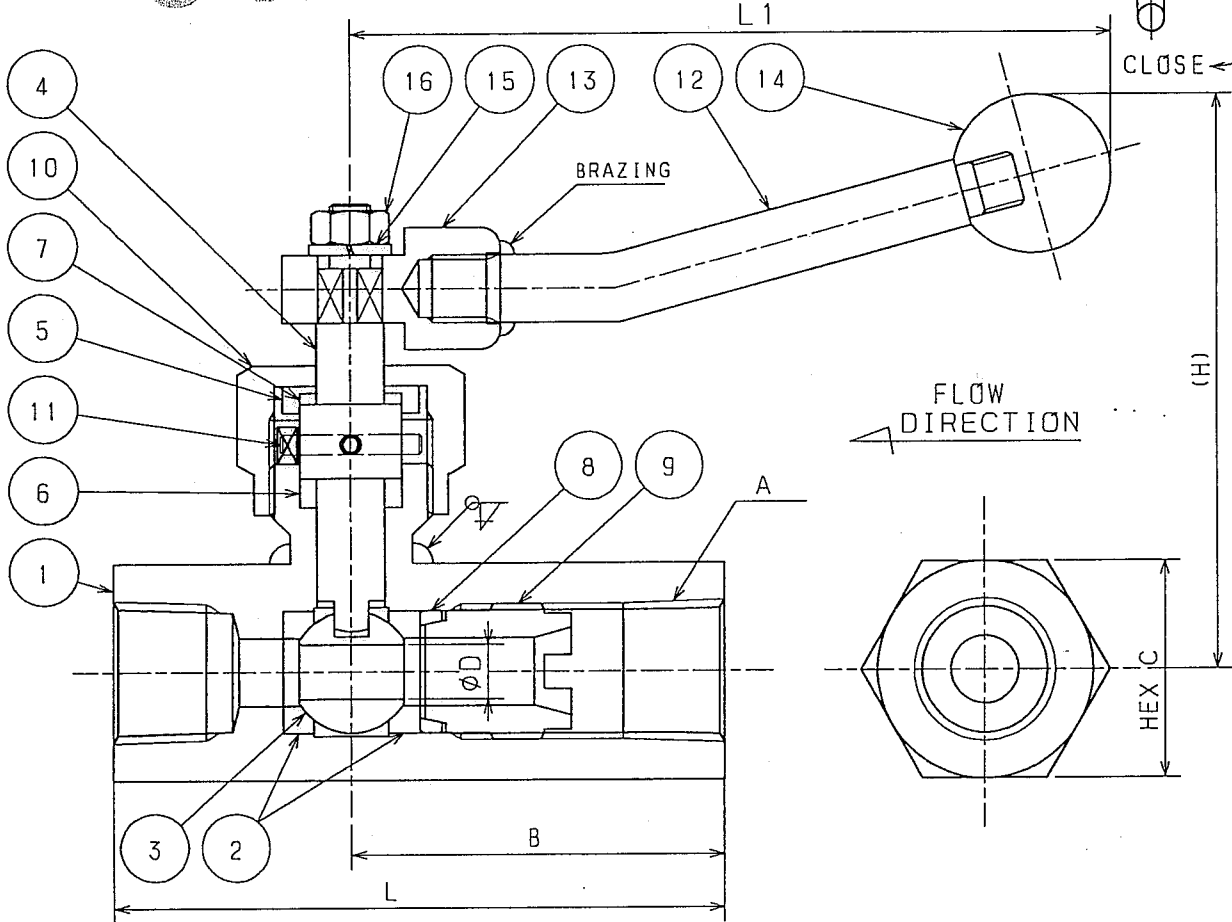
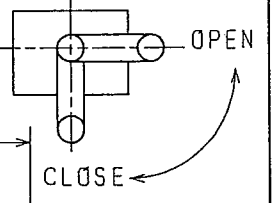
RECIPIENT

UNIT [mm] THE THIRD ANGLE

REMARK

SAMPLE

HANDLE POSITION



NOMINAL DIA	D	L	A	H	B	C	L1	CV VALUE	MASS(kg)	ITEM NO.
1/2"	8	90	Rc 1/2	85	55	32	112	2.8	0.75	UBV-115D
3/4"	12	90	Rc 3/4	87.5	55	36	112	6.3	0.80	UBV-115E
1"	15	105	Rc 1	98	60	46	125	9.9	1.45	UBV-115F
1 1/4"	19	130	Rc 1 1/4	101	75	54	125	15.8	2.12	UBV-115G

NO.	DATE	CONTENTS	REVISED	APPD.	PART. NO.	NAME OF PARTS	MATERIAL	Q' TY	REMARK	G. T. NO.
16		HEX NUT				SUS304	1			
15		WASHER				SUS304	1			
14		GRIP				UF	1	RED		
13		HANDLE HOLDER				C3604B	1	Ni PLATING		
12		HANDLE LEVER				SS41	1	Ni PLATING		
11		PIN				SUS304	1			
10		GLAND NUT				SUS304	1			
9		ADJUSTABLE SCREW				SUS304	1			
8		GASKET				G-PTFE	1			
7		THRUST PACKING				G-PTFE	1			
6		GLAND PACKING				G-PTFE	1			
5		BUSH				SUS304	1			
4		STEM				SUS304	1			
3		BALL				SUS304	1			
2		SEAT RING				POM	2			
1		BODY				SUS304	1			
REVISION DATE '96-12-09 SCALE FREE APPD. H. Maeda CHKD. H. Maeda DESIGN J. Mikuni					MATERIAL LIST DRG. NO. U24248E REV. MARK 3					
TEST PRESSURE MPa HYDRO AIR SHELL 22.1 SEAT 16.2 BACK SEAT SEAL 16.2					STAINLESS STEEL 14.7 MPa SCREWED TYPE BALL VALVES Fujikin Incorporated 株式会社 フジキン					
CAREER					060 UBV		CAB. NO.		2-18 A	
					UBV-115D, E 36					