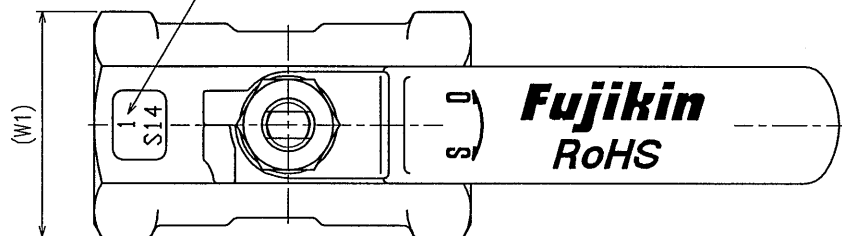


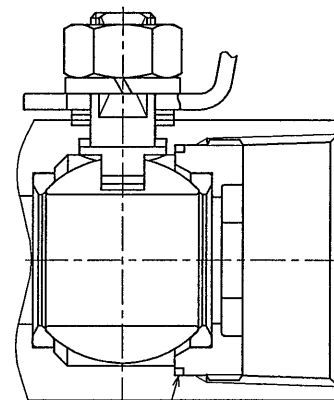
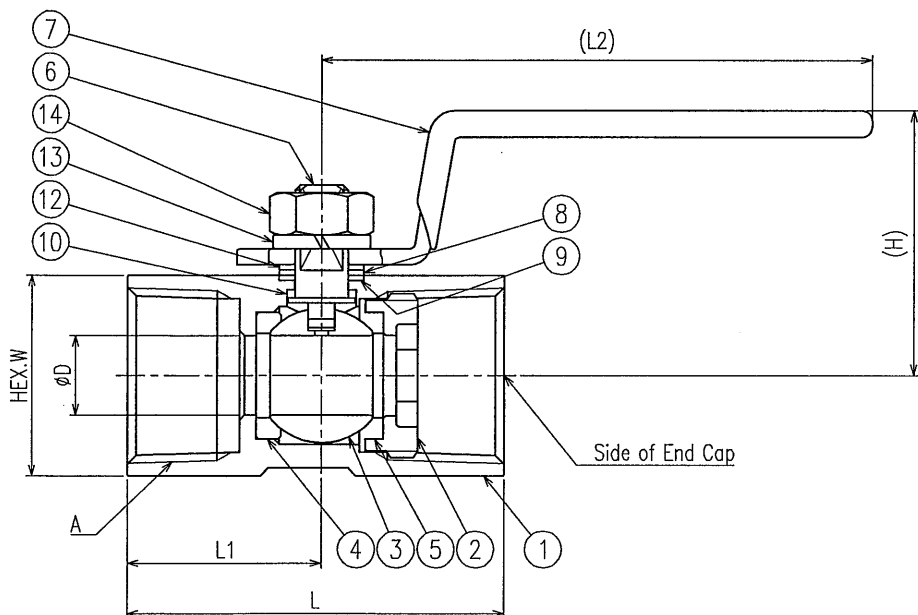
Size Indicator (This is just an example.)



Products that comply with the RoHS Directive.

Caution

1. Before using, please see the pressure-temperature curve and its comments, and consider the safety adequately.
2. When you operate this item at low temperature such as -20°C~0°C, please use the end cap for the inlet side.
3. The items are not available with hydrogen gas, helium gas, toxic gas and vacuum condition.
4. This item is not available in the oxygen line because silicone oil is applied on the surface wetted by the liquid or gas.



Size only 32A~50A

NOMINAL SIZE		A	D	L	L1	L2	H	W	W1	Cv VALUE (MAX.)	MASS (ABOUT) (g)	ITEM No.
A	B											
8	1/4	Rc1/4	5	39	18.5	60	35	17	19	1.9	70	UBVN-14B-R
10	3/8	Rc3/8	7	44	20.9	70	37	21	23.5	2.5	110	UBVN-14C-R
15	1/2	Rc1/2	9.1	56.5	27.3	86	43	25	28	5.1	180	UBVN-14D-R
20	3/4	Rc3/4	12.5	59	30.5	86	46	32	36	8.4	260	UBVN-14E-R
25	1	Rc1	15	71	36.5	103	50	38	42.5	12.6	490	UBVN-14F-R
32	1-1/4	Rc1-1/4	20	78	39	103	54	49	56	28.5	690	UBVN-14G-R
40	1-1/2	Rc1-1/2	24.5	83	42	124	65	53	60	35.5	840	UBVN-14H-R
50	2	Rc2	32	100	51	124	72	65	73	55.4	1350	UBVN-14I-R

REVISION				
REV. NO.	DATE	REVISED DESCRIPTION	REVISED	APPD.

REMARK ※1 Size 8A~25A : 1pc  
32A~50A : 2pcs  
※2 Size only 8A~25A  
※3 Size only 32A~50A

PART NO.	NAME OF PARTS	MATERIAL	Q'TY	REMARK
15				
14	HEX.NUT	SUS	1	
13	SPRING WASHER	SUS	1	
12	CONICAL SPRING WASHER	SUS301	1	
11	GASKET	G-PTFE	0or1	※3
10	GLAND PACKING	G-PTFE	1	
9	GLAND PACKING	G-PTFE	1	
8	GLAND WASHER	SUS304	1	
7	HANDLE	SUS304	1	VINYL COATING (BLUE)
6	STEM	SUS316	1	
5	B-SEAT RING	G-PTFE	0or1	※2
4	SEAT RING	G-PTFE	1or2	※1
3	BALL	SCS14A	1	
2	END CAP	SCS14A	1	
1	BODY	SCS14A	1	

MATERIAL LIST					
DATE	11.10.'10	TEST PRESS. MPa			
SCALE	FREE	ITEM	FLUID	HYDRO	AIR
APPD.	<i>A. Maeda</i>	SHELL		5.88	
CHKD.	<i>K. Yamada</i>	SEAT			0.59
DESIGN	<i>M. Sawada</i>	BACKSEAT			
		SEAL			0.59

RECIPIENT  
MODEL NO.  
TRADEMARK OR MODEL NAME  
NAME STAINLESS STEEL 3.92MPa SCREWED TYPE BALL VALVES  
DRG NO. U24937ER REV.MARK

**Fujikin Incorporated**  
**株式会社 フジキン**

CAREER		CONTRAST TABLE	NOMINAL SIZE (A)	6	8	10	15	20	25	32	40	50	65	80	90	100	125	150	200	250	UNIT(mm)	THE THIRD ANGLE		acad060/UBVN	CAB. NO.	
			NOMINAL SIZE (B)	1/8	1/4	3/8	1/2	3/4	1	1 1/4	1 1/2	2	2 1/2	3	3 1/2	4	5	6	8	10						
			OUTSIDE DIAMETER	10.5	13.8	17.3	21.7	27.2	34.0	42.7	48.6	60.5	76.3	89.1	101.6	114.3	139.8	165.2	216.3	267.4						