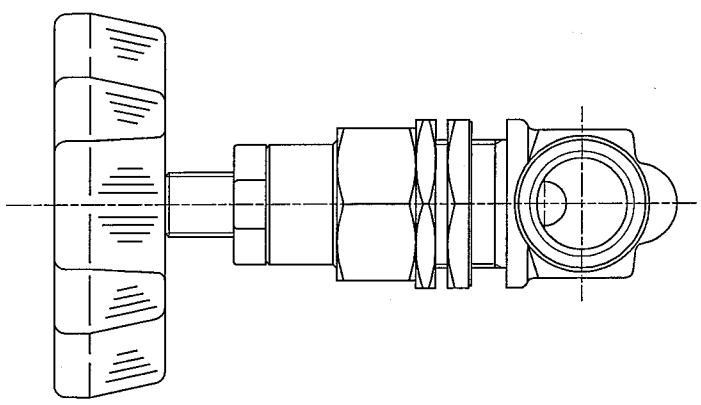
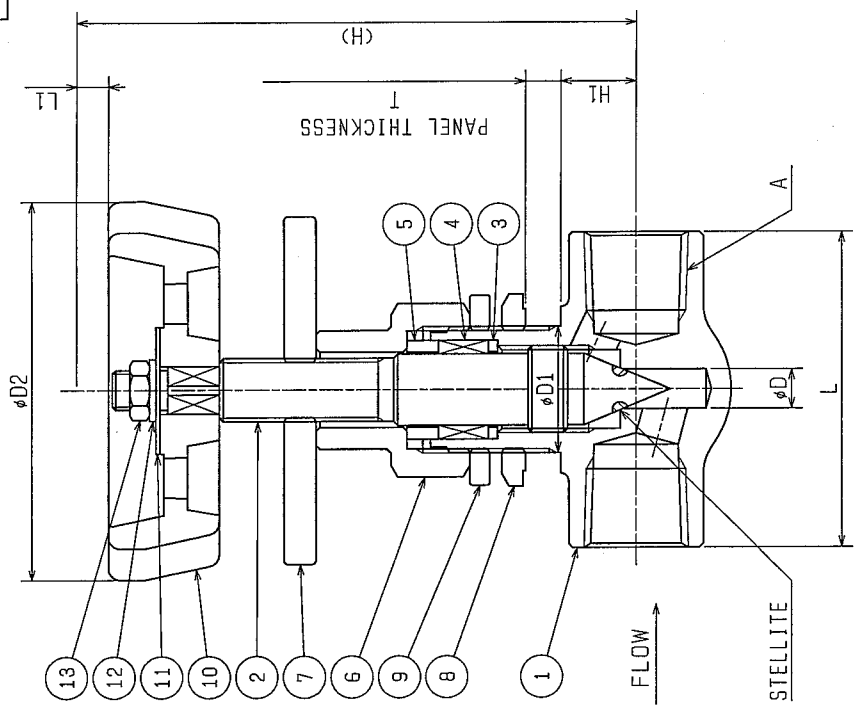


Products that comply with the RoHS Directive.

When ready to select a valve
 A fluorine lubricant is used on valve surfaces that come in contact with liquid or gas media. Therefore, the valve is not suited for use with fluids such as solvents that might dissolve the lubricant. If unsure of medium reactions, contact Fujikin before selecting this valve.



REVISION			
REV. NO.	DATE	REVISED DESCRIPTION	REVISED APPD.

REMARK MATERIAL MARKING ON BODY IS 316.

PART. NO.	NAME OF PARTS	MATERIAL	QTY	REMARK
15				
14				
13	HEX NUT	C3604B	1	NI PLATING
12	WASHER	SK5	1	Zn PLATING
11	NAME PLATE	A5052P	1	
10	HANDLE	ADC12	1	METALLIC BLUE
9	LOCK NUT	C3604B	1	NI PLATING
8	PANEL NUT	C3604B	1	NI PLATING
7	PROPELLER NUT	C3713P	1	NI PLATING
6	PACKING GLAND NUT	SUS304	1	
5	PACKING GLAND BUSH	SUS304	1	
4	GLAND PACKING	PIFEC-PIFE	1SET	
3	BUSH	SUS316	1	
2	STEM	SUS316	1	STELLITE
1	BODY	SUSF316	1	

MATERIAL LIST

DATE	8. 20. '11	TEST PRESS.	MPa
SCALE	FREE	ITEM	FLUID HYDRO AIR
APPD.	<i>J. Nakano</i>	SHELL	4. 41
CHKD.	<i>J. Nakano</i>	SEAT	3. 24
DESIGN	<i>E. Oikawa</i>	BACKSEAT	
RECIPIENT		SEAL	3. 24
MODEL NO.			
TRADEMARK OR MODEL NAME			
NAME	STAINLESS STEEL 2. 9AMPA SCREWED TYPE		
DRG. NO.	U142911RE	REV. MARK	0

NOMINAL SIZE	ORIFICE	PANEL INSTALL			HEIGHT	LIFT	T		CY VALUE (MAX.)	MASS (ABOUT) (kg)	ITEM NO.			
		A	L	D			MIN.	MAX.						
6	1/8	5	40	1/8NPT	16.5	9.5	71	48	4	1.5	3	0.37	0.2	UH-13LPAN-R
8	1/4	5	40	1/4NPT	16.5	9.5	71	48	4	1.5	3	0.45	0.2	UH-13LPAN-R
10	3/8	6.4	45	3/8NPT	16.5	11.5	76	48	6	1.5	3.5	0.82	0.2	UH-13LPCN-R

CAREER		UNIT (mm)		THE THRO ANGLE													
CONTRAST TABLE																	
NOMINAL SIZE (A)	6	8	10	15	20	25	32	40	50	65	80	90	100	125	150	200	250
NOMINAL SIZE (B)	3/8	1/2	3/4	1	1 1/4	1 1/2	2	2 1/2	3	3 1/2	4	5	6	8	10		
OUTSIDE DIAMETER	10.5	13.0	17.2	23.2	29.2	34.2	42.2	48.2	57.6	71.6	88.2	100.6	114.2	138.2	162.2	216.2	266.2



Fujikin Incorporated
 株式会社フジキン