

YOKE FIXING DIRECTION DIAGRAM

Valve mounting orientation
Mount the valve so that the top part may be perpendicular.
If it is cannot be mounted perpendicularly, ensure an angle of 30 degrees or more upward from the horizontal plane.

18	NAME PLATE	A5052P	1	
19	SPRING WASHER	SUS304	1	EQUIVALENT
20	HEX. NUT	SUS304	1	EQUIVALENT
21	SET SCREW	SUS304	1	
22	GUIDE RING	PTFE	1	
23	SPRING	SUS316WPA	1	

REVISION				
REV. NO.	DATE	REVISED DESCRIPTION	REVISED	APPD.
4	12.8.08	Addition		<i>K. D. Smith</i>

REMARK 1. Material marking on body is 316.
2. Cryogenic test is conducted as an option.
3. Yoke fixing direction shall conform to the yoke fixing direction diagram.

17	HANDLE	ADC12	1	METALLIC BLUE
16	PIN	SUS304	1	
15	STUD BOLT	SUS304	2	
14	HEX. NUT	SUS304	2	
13	WASHER	SUS304	2	
12	YOKE SLEEVE	C4641B	1	
11	YOKE	SCS13	1	
10	PACKING GLAND FLANGE	SCS13	1	
9	PACKING GLAND BUSH	SUS316	1	
8	GASKET	C1220P-0	1	
7	LOCK NUT	SUS304	2	
6	GLAND PACKING	PTFE+PTFE	1SET	
5	BUSH	SUS316	1	
4	BONNET	SUS316	1	
3	STEM	SUS316	1	STELLITE
2	DISC	SUS316	1	STELLITE
1	BODY	SUS316	1	

PART. NO.	NAME OF PARTS	MATERIAL	QTY	REMARK
-----------	---------------	----------	-----	--------

MATERIAL LIST

DATE	8.5.91	TEST PRESS.	MPa
SCALE	FREE	ITEM FLUID	HYDRO GN2
APPD.	<i>K. D. Smith</i>	SHELL	36.8
CHKD.	<i>H. Maeda</i>	SEAT	27.0
DESIGN	<i>no. matsumura</i>	BACKSEAT	
		SEAL	27.0

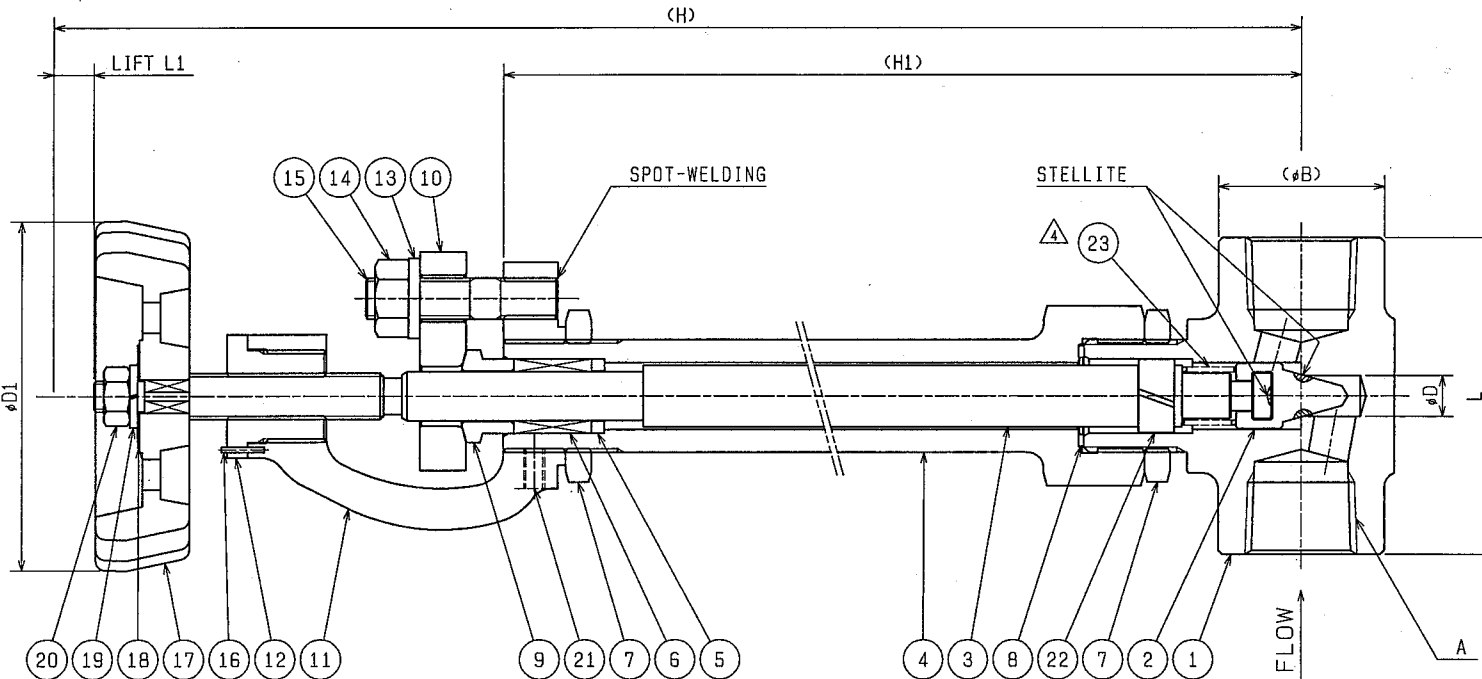
RECIPIENT	
MODEL NO.	
TRADEMARK OR MODEL NAME	

NAME STAINLESS STEEL 24.5MPa
SCREWED TYPE LONG BONNET VALVES

DRG. NO.	U142764E	REV. MARK	4
----------	----------	-----------	---

Fujikin Incorporated
株式会社 フジキン

050	US-125	CAB. NO.	
DRW-ULH-125CY-2	16		



NOMINAL SIZE	ORIFICE D	A	FACE TO FACE L	H1	HEIGHT H	LIFT L1	HANDLE D1	B	CV VALUE MAX.	MASS (ABOUT) kg	ITEM No.
1/8B	6	Rc1/8	55	217	303	4.5	68	26	0.38	1.37	ULH-125CYC-A
1/4B	6	Rc1/4	55	217	303	4.5	68	26	0.52	1.35	ULH-125CYC-B
3/8B	6	Rc3/8	55	217	303	4.5	68	26	0.64	1.35	ULH-125CYC
1/2B	8	Rc1/2	60	220	306	7.5	68	32	1.1	1.4	ULH-125CYD
3/4B	10	Rc3/4	70	240	340	10	78	38	1.9	2.3	ULH-125CYE
1B	12	Rc1	85	255	368	12	88	46	2.8	3.2	ULH-125CYF

CAREER		CONTRAST TABLE	NOMINAL SIZE (A)	6	8	10	15	20	25	32	40	50	65	80	90	100	125	150	200	250	NOMINAL SIZE (B)	1/2	3/4	1	1 1/4	1 1/2	2	2 1/2	3	3 1/2	4	5	6	8	10	OUTSIDE DIAMETER	10.5	13.8	17.3	21.7	27.2	34.0	42.7	48.6	60.5	76.3	89.1	101.6	114.3	139.8	165.2	216.3	267.4	UNIT (mm)	THE THIRD ANGLE	050	US-125	CAB. NO.	
--------	--	----------------	------------------	---	---	----	----	----	----	----	----	----	----	----	----	-----	-----	-----	-----	-----	------------------	-----	-----	---	-------	-------	---	-------	---	-------	---	---	---	---	----	------------------	------	------	------	------	------	------	------	------	------	------	------	-------	-------	-------	-------	-------	-------	-----------	-----------------	-----	--------	----------	--