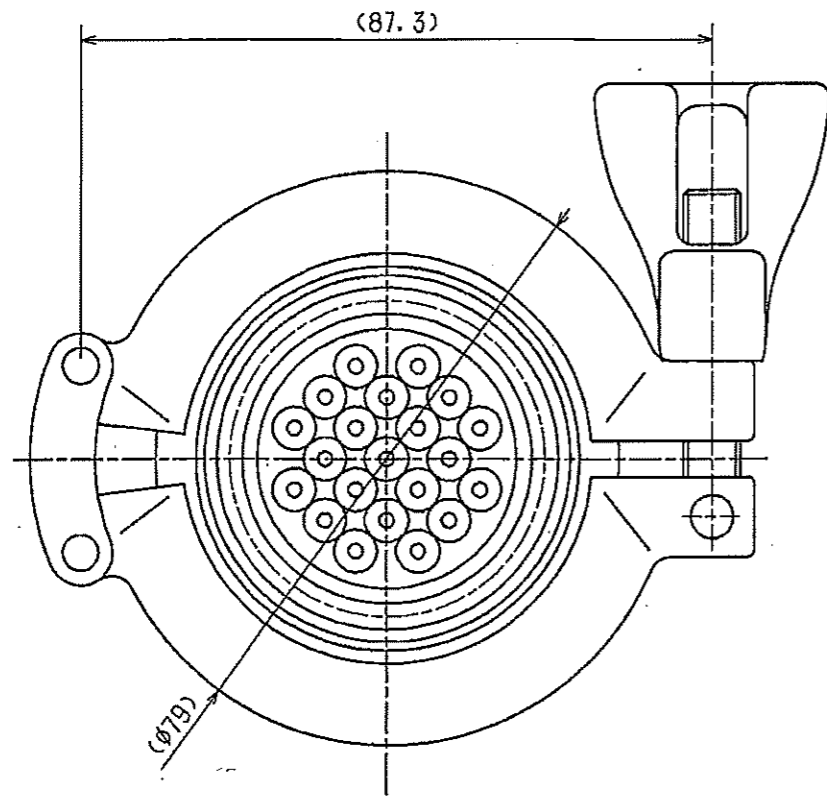


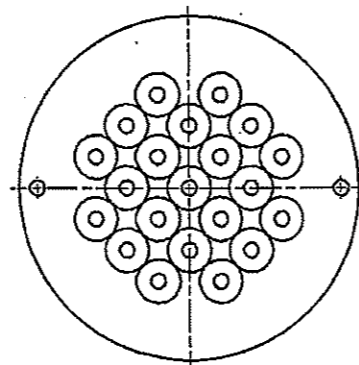
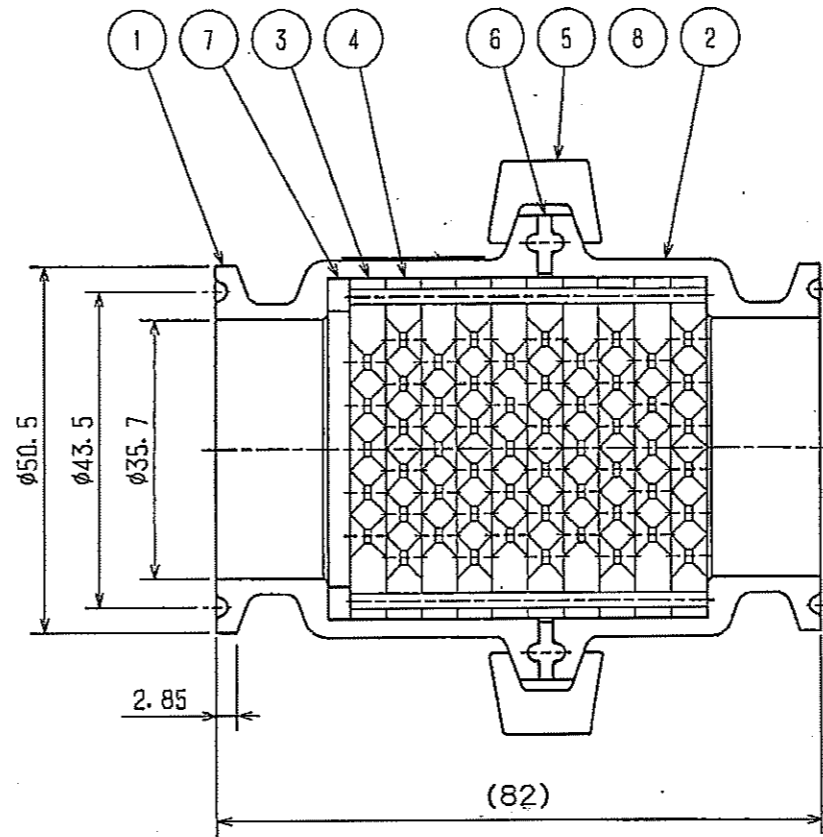
**SPECIFICATION**

TEMP. -20~150℃

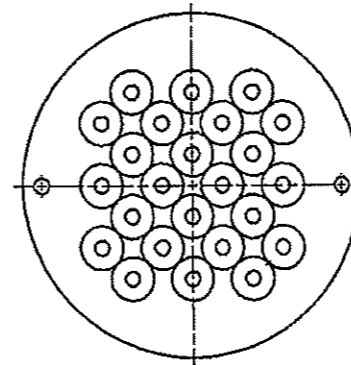
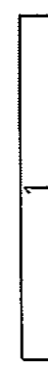
MAX. PRESSURE 0.5MPa



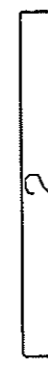
FLOW →



ELEMENT 1.



ELEMENT 2.



PLEASE SET ELEMENT 1 ON PRIMARY SIDE, THEN SET ELEMENT 2 IN TURN.

**REVISION**

REV. NO.	DATE	REVISED DESCRIPTION	REVISED	APPD.

REMARK: Dimensions in Parentheses is for reference.

Dimensions of ferrule is ISO - Compatible.

Structure of Element and Parts List

Please refer to attached drawing, DRG. No. U90088

PART NO.	NAME OF PARTS	MATERIAL	QTY.	REMARK
15				
14				
13				
12				
11				
10				
9				
8	PIN	SUS316	2	
7	GASKET	PTFE	1	EXPANDED PTFE
6	FERRULE GASKET	PTFE	1	NOMINAL SIZE
5	CLAMP	SCS13	1	2S
4	ELEMENT 2	SUS316	5	
3	ELEMENT 1	SUS316	5	
2	BODY 2	SUS316	1	
1	BODY 1	SUS316	1	

**Material List**

DATE	TEST PRESS.	MPa
02.7.24		
SCALE: FREE	Fluid	HYDRO
	Shell	GN2
APPD: <i>Id. Mase</i>	SEAT	0.75
CHKD: <i>Id. Mase</i>	BACKSEAT	
DESIGN: <i>K. Shoji</i>	SEAL	0.55

RECIPIENT	
MODEL NO.	UMX-70H-5-32D-A-5
TRADE MARK / MODEL NAME	DISPERSION MIXER (Bunsan-Kun)
NAME	STAINLESS STEEL 0.5MPa - 1 1/2S CLAMP TYPE DISPERSION MIXER

DRG. NO.	U90220	REV. MARK	0
----------	--------	-----------	---

Fujikin Incorporated  
株式会社 フジキン

CAREER	CONTRAST TABLE	Nominal Size (A)	6	8	10	15	20	25	32	40	50	65	80	90	100	125	150	200	250	UNIT (mm)	THE THIRD ANGLE	170	UMX	CAB. NO.
	Nominal Size (B)	1/8	1/4	3/8	1/2	3/4	1	1 1/4	1 1/2	2	2 1/2	3	3 1/2	4	5	6	8	10	ASUMX7H01			1		
	Outside Diameter	10.5	13.8	17.3	21.7	27.2	34.0	42.7	48.6	60.5	76.3	89.1	101.6	114.3	139.8	165.2	216.3	267.4						

SPECIFICATION

TEMP. -20~150℃

MAX. PRESSURE 0.5 MPa

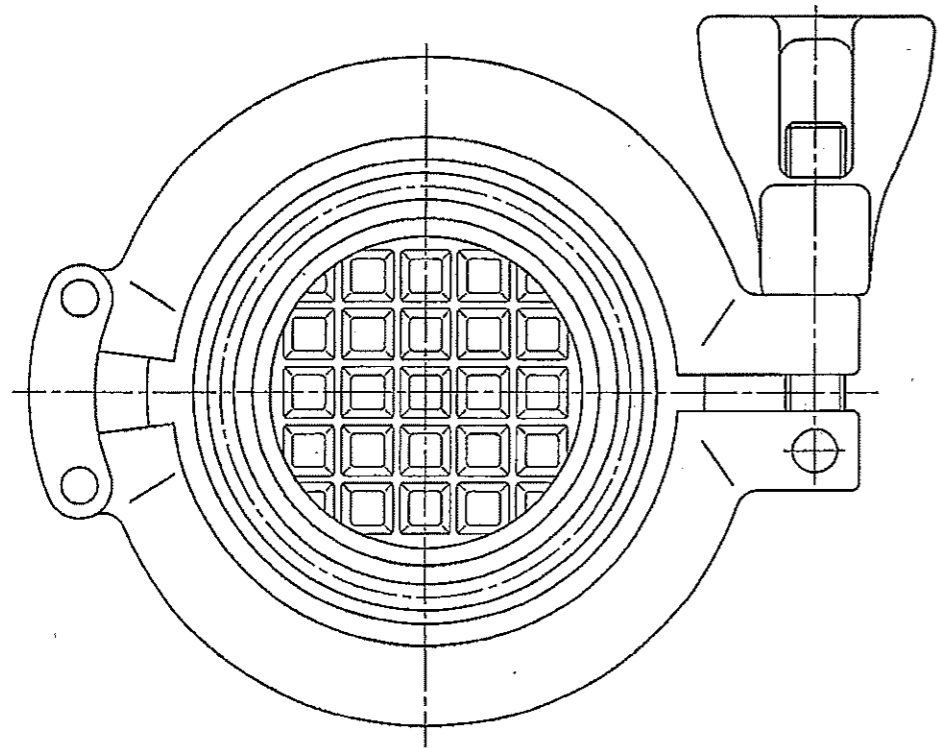
REMARK: Dimensions in Parenthesises is for reference.

Dimensions of ferrule is ISO-Compatible.

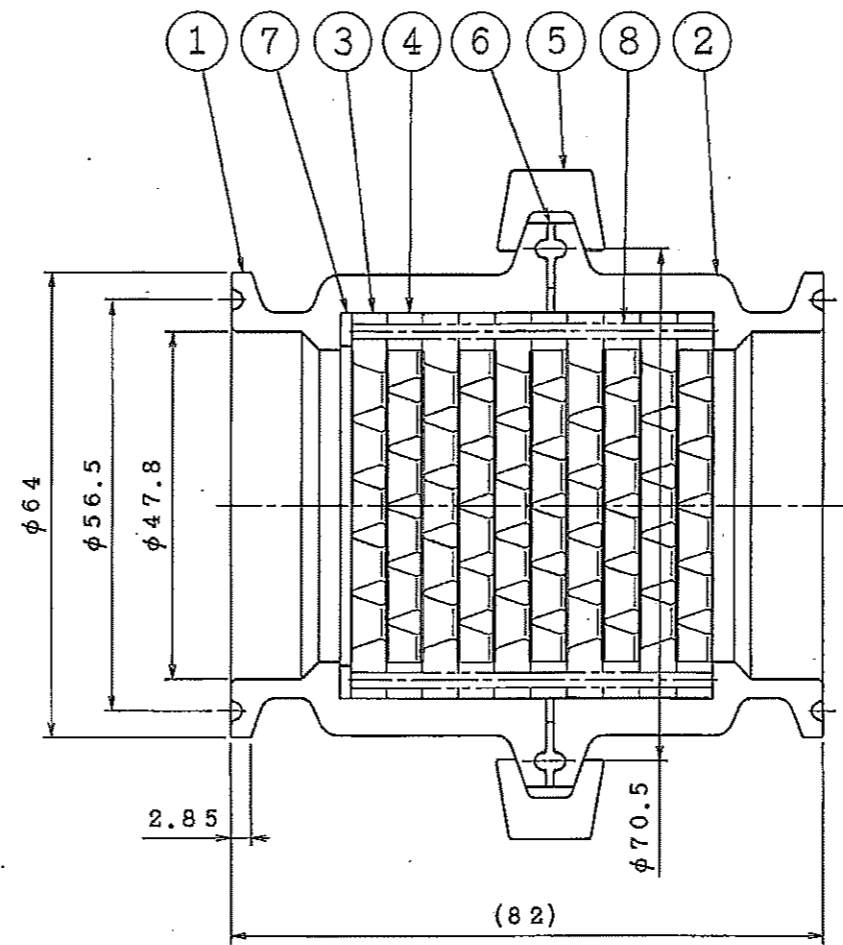
Only outline dimension is on this drawing.

Structure of Element and Parts List.

Please refer to attached drawing, DRG. NO. U90072



FLOW  
→



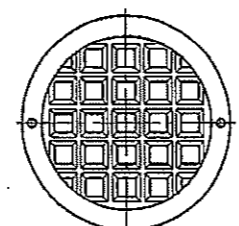
15				
14				
13				
12				
11				
10				
9				
8	PLN	SUS316	2	
7	GASKET	PTFE	1	EXPANDED PTFE
6	FERRULE GASKET	PTFE	1	
5	CLAMP	SCS13	1	
4	ELEMENT2	SUS316L	5	
3	ELEMENT1	SUS316L	5	
2	BODY2	SUS316	1	
1	BODY1	SUS316	1	
PART NO.				G.T.NO

DATE	02.06.12	試験	MPa	水压	窒素
SCALE	FREE	圧	耐	圧	0.75
APPD.	Id. mase	漏	レ		
CHKD.	Id. mase	逆	座		
DESIGN	Ki. Shoji	気	密		0.55

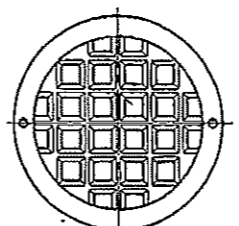
RECIPIENT			
MODEL NO.	UMX-701-5-40M-A-5		
TRADE MARK MODEL NAME	MOTIONLESS MIXER (Kongou-Kun)		
NAME	STAINLESS STEEL 0.5MPa -2S CLAMP TYPE MOTIONLESS MIXER		
DRG. NO.	U90218	REV. MARK	0

Fujikin Incorporated  
株式会社 **フジキン**

△				
△				
△				
△				
REV. MARK	DATE	REVISED DESCRIPTION	REVISED	APPD.
REVISION				



ELEMENT 1



ELEMENT 2

PLEASE SET ELEMENT 1 ON PRIMARY SIDE, THEN SET ELEMENT 2, IN TURN.

CAREER

CONTRAST TABLE	NOMINAL SIZE(A)	6	8	10	15	20	25	32	40	50	65	80	90	100	125	150	200	250
	NOMINAL SIZE(B)	1/8	1/4	3/8	1/2	3/4	1	1 1/4	1 1/2	2	2 1/2	3	3 1/2	4	5	6	8	10
	Outside Diameter	10.5	13.8	17.3	21.7	27	34.0	42.7	48.5	60.5	74.3	88.1	101.6	114.3	138.2	165.1	215.2	271.4

UNIT [mm] THE THIRD ANGLE

CAB. NO