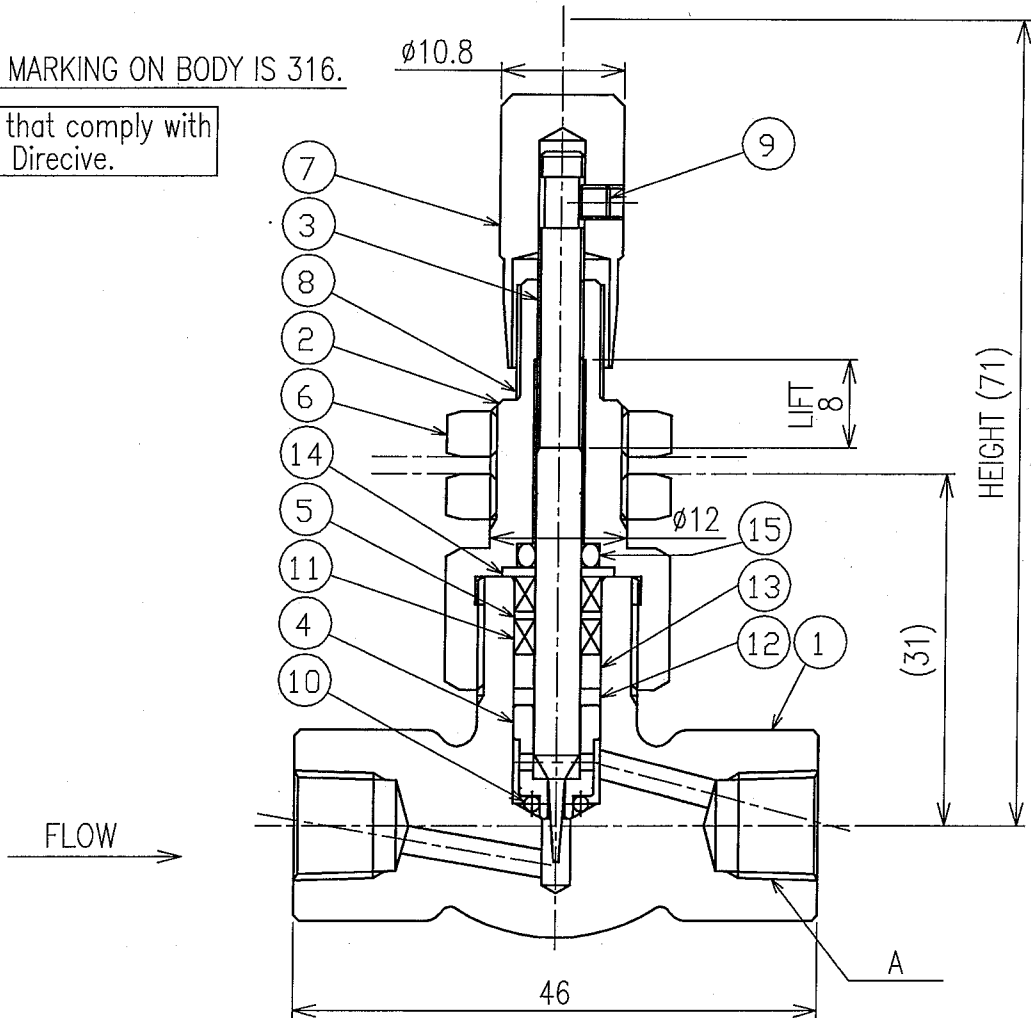


RECIPIENT _____

UNIT(mm) THE THIRD ANGLE 

REMARK
MATERIAL MARKING ON BODY IS 316.

Products that comply with the RoHS Directive.



NOMINAL DIA.	A	Cv	MASS (kg)	ITEM No.
1/8B	Rc1/8	0.015	0.14	UN-14MA-S-R
		0.03		UN-14MA-L-R
1/4B	Rc1/4	0.015	0.13	UN-14MB-S-R
		0.03		UN-14MB-L-R



REV. NO.	DATE	REVISED DESCRIPTION	REVISED	APPD.	ITEM No.	DESCRIPTION	MATERIAL	Q'TY	REMARK																																				
					15	O RING	FKM	1																																					
					14	BUSH(2)	SUS316	1																																					
					13	BUSH(1)	SUS316	1																																					
					12	PACKING	PTFE	1																																					
					11	GLAND PACKING	PTFE	2																																					
					10	O RING	PTFE	1																																					
					9	SET SCREW	SUS304	2																																					
					8	SCALE	SUS304	1																																					
					7	HANDLE	C3604B	1	Cr PLATING																																				
					6	PANEL NUT	SUS304	2																																					
					5	SPACER	PTFE	1																																					
					4	ORIFICE	SUS316	1																																					
					3	STEM	SUS316	1																																					
					2	BONNET	SUS304	1																																					
					1	BODY	SUS316	1																																					
<p>REVISION</p> <table border="1"> <thead> <tr> <th>DATE</th> <th>11.10.'11</th> <th>TEST PRESS.</th> <th>MPa</th> </tr> </thead> <tbody> <tr> <td>SCALE</td> <td>FREE</td> <td>ITEM</td> <td>FLUID</td> </tr> <tr> <td></td> <td></td> <td>HYDRO</td> <td>GN2</td> </tr> <tr> <td>APPD.</td> <td><i>J. Nishida</i></td> <td>SHELL</td> <td>5.88</td> </tr> <tr> <td></td> <td></td> <td>SEAT</td> <td>4.32</td> </tr> <tr> <td>CHKD.</td> <td><i>J. Nishida</i></td> <td>BACKSEAT</td> <td></td> </tr> <tr> <td></td> <td></td> <td>SEAL</td> <td>4.32</td> </tr> <tr> <td>DESIGN</td> <td><i>K. Shoji</i></td> <td></td> <td></td> </tr> </tbody> </table>					DATE	11.10.'11	TEST PRESS.	MPa	SCALE	FREE	ITEM	FLUID			HYDRO	GN2	APPD.	<i>J. Nishida</i>	SHELL	5.88			SEAT	4.32	CHKD.	<i>J. Nishida</i>	BACKSEAT				SEAL	4.32	DESIGN	<i>K. Shoji</i>			<p>MATERIAL LIST</p> <table border="1"> <thead> <tr> <th>DRG.NO.</th> <th>KU14031ER</th> <th>REV.MARK</th> <th>0</th> </tr> </thead> </table>					DRG.NO.	KU14031ER	REV.MARK	0
DATE	11.10.'11	TEST PRESS.	MPa																																										
SCALE	FREE	ITEM	FLUID																																										
		HYDRO	GN2																																										
APPD.	<i>J. Nishida</i>	SHELL	5.88																																										
		SEAT	4.32																																										
CHKD.	<i>J. Nishida</i>	BACKSEAT																																											
		SEAL	4.32																																										
DESIGN	<i>K. Shoji</i>																																												
DRG.NO.	KU14031ER	REV.MARK	0																																										
<p>MODEL NO. _____</p> <p>TRADEMARK OR MODEL NAME SUPER MINI VALVE</p> <p>NAME STAINLESS STEEL 3.92MPa SCREWED TYPE NEEDLE VALVES WITH MICRO METER HANDLE</p> <p>Fuji kin Incorporated 株式会社 フジキン</p>					<p>PART.NO. NAME OF PARTS MATERIAL Q'TY REMARK</p>																																								
<p>CAREER _____</p>					<p>acad070 UN CAB. NO. _____</p>																																								