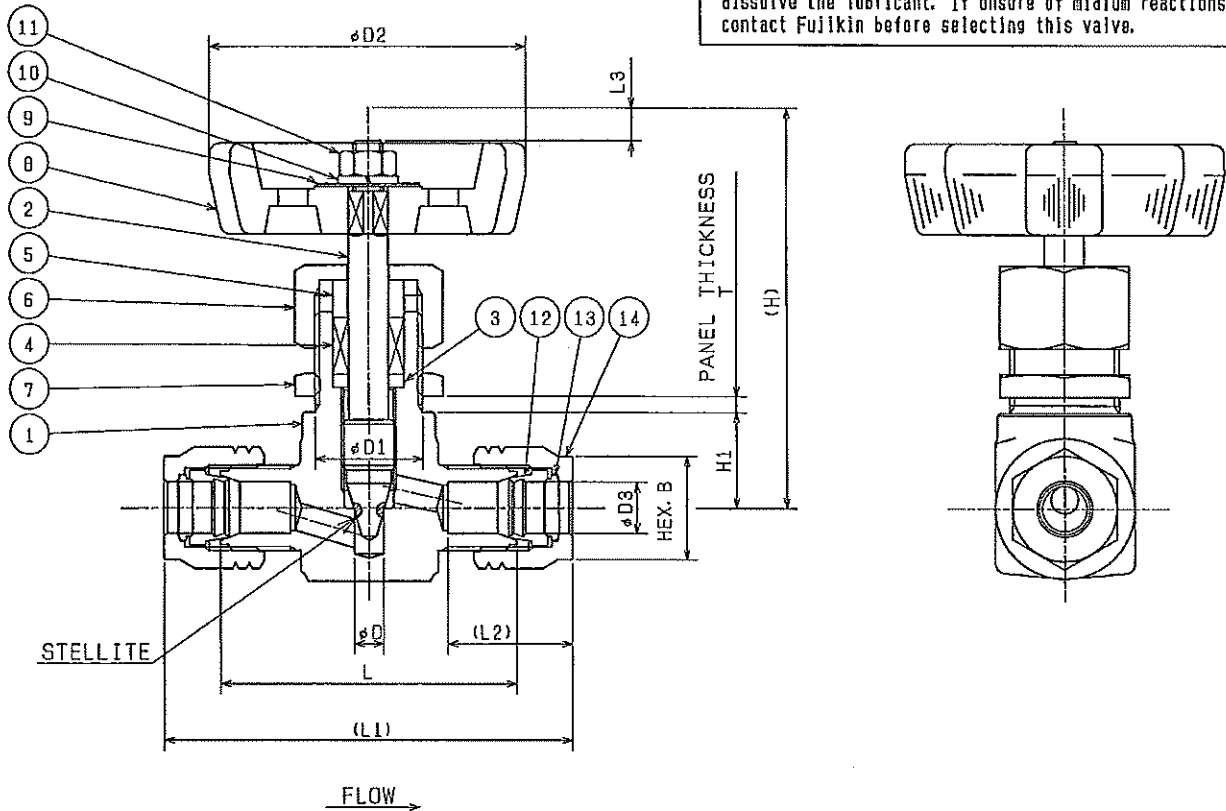


Products that comply with the RoHS Directive.

When ready to select a valve
A fluorine lubricant is used on valve surfaces that come in contact with liquid or gas media. Therefore, the valve is not suited for use with fluids such as solvents that might dissolve the lubricant. If unsure of medium reactions, contact Fujikin before selecting this valve.



NOMINAL DIA D3	ORIFICE D	FACE TO FACE		L2	B	PANEL INSTALL		HEIGHT H	L3	D2	T		Cv VALUE (MAX.)	ITEM No.
		L	L1			D1	H1				MIN.	MAX.		
6	5	54	70	18	14	18.5	16	67	5	58	2	4.5	0.34	US-926P-S6-R
8	5	54	74	21	17	18.5	16	67	5	58	2	4.5	0.46	US-926P-S8-R
10	6	60	84	25	21	22.5	19	79	6	68	3	5	0.59	US-926P-S10-R
12	6	60	84	28	23	22.5	19	79	6	68	3	5	0.59	US-926P-S12-R

REVISION				
REV. NO.	DATE	REVISED DESCRIPTION	REVISED	APPD.

REMARK MATERIAL MARKING ON BODY IS 316.

15				
14	UNION NUT	SUS316	2	Ag PLATING
13	BACK RING	SUS316	2	
12	FRONT RING	SUS316	2	
11	HEX NUT	SUS304	1	EQUIVALENT
10	WASHER	SUS304	1	EQUIVALENT
9	NAME PLATE	A5052P	1	
8	HANDLE	ADC12	1	METALLIC BLUE
7	PANEL NUT	C3604B	1	NI PLATING
6	PACKING GLAND NUT	SUS316	1	
5	PACKING GLAND BUSH	SUS316	1	
4	GLAND PACKING	PTFE+PFA	1	SET
3	BUSH	SUS316	1	
2	STEM	SUS316	1	STELLITE
1	BODY	SUSF316	1	

PART NO.	NAME OF PARTS	MATERIAL	QTY	REMARK
----------	---------------	----------	-----	--------

MATERIAL LIST			
DATE	5.12.'10	TEST PRESS	MPa
SCALE	FREE	ITEM	FLUID HYDRO AIR
APPD.	<i>H. Maeda</i>	SHELL	38.1
CHKD.	<i>S. Okano</i>	SEAT	28.0
DESIGN	<i>S. Okano</i>	BACKSEAT	
		SEAL	28.0

RECIPIENT	
MODEL NO.	
TRADemark OR MODEL NAME	
NAME	STAINLESS STEEL 25.4MPa SUPER W-BITE TYPE NEEDLE VALVES WITH PANEL NUT
DRG. NO.	U142928ER REV. MARK $\triangle 0$

Fujikin Incorporated
株式会社 フジキン

CAREER		CONTRAST TABLE	<table border="1"> <thead> <tr> <th>NOMINAL SIZE (A)</th> <td>6</td><td>8</td><td>10</td><td>15</td><td>20</td><td>25</td><td>32</td><td>40</td><td>50</td><td>65</td><td>80</td><td>100</td><td>125</td><td>150</td><td>200</td><td>250</td> </tr> <tr> <th>NOMINAL SIZE (B)</th> <td>1/8</td><td>1/4</td><td>3/8</td><td>1/2</td><td>3/4</td><td>1</td><td>1 1/4</td><td>1 1/2</td><td>2</td><td>2 1/2</td><td>3</td><td>3 1/2</td><td>4</td><td>5</td><td>6</td><td>8</td><td>10</td> </tr> <tr> <th>OUTSIDE DIAMETER</th> <td>10.5</td><td>13.8</td><td>17.3</td><td>21.7</td><td>27.2</td><td>34.0</td><td>42.7</td><td>48.5</td><td>60.5</td><td>76.3</td><td>89.1</td><td>101.6</td><td>114.3</td><td>139.8</td><td>155.2</td><td>218.3</td><td>267.4</td> </tr> </thead> </table>	NOMINAL SIZE (A)	6	8	10	15	20	25	32	40	50	65	80	100	125	150	200	250	NOMINAL SIZE (B)	1/8	1/4	3/8	1/2	3/4	1	1 1/4	1 1/2	2	2 1/2	3	3 1/2	4	5	6	8	10	OUTSIDE DIAMETER	10.5	13.8	17.3	21.7	27.2	34.0	42.7	48.5	60.5	76.3	89.1	101.6	114.3	139.8	155.2	218.3	267.4	UNIT (mm)	THE THIRD ANGLE	<table border="1"> <tr> <td>050</td> <td>US-126</td> </tr> <tr> <td>US-126PA-F-4</td> <td>20</td> </tr> </table>	050	US-126	US-126PA-F-4	20	CAB. NO.	
NOMINAL SIZE (A)	6	8	10	15	20	25	32	40	50	65	80	100	125	150	200	250																																																	
NOMINAL SIZE (B)	1/8	1/4	3/8	1/2	3/4	1	1 1/4	1 1/2	2	2 1/2	3	3 1/2	4	5	6	8	10																																																
OUTSIDE DIAMETER	10.5	13.8	17.3	21.7	27.2	34.0	42.7	48.5	60.5	76.3	89.1	101.6	114.3	139.8	155.2	218.3	267.4																																																
050	US-126																																																																
US-126PA-F-4	20																																																																