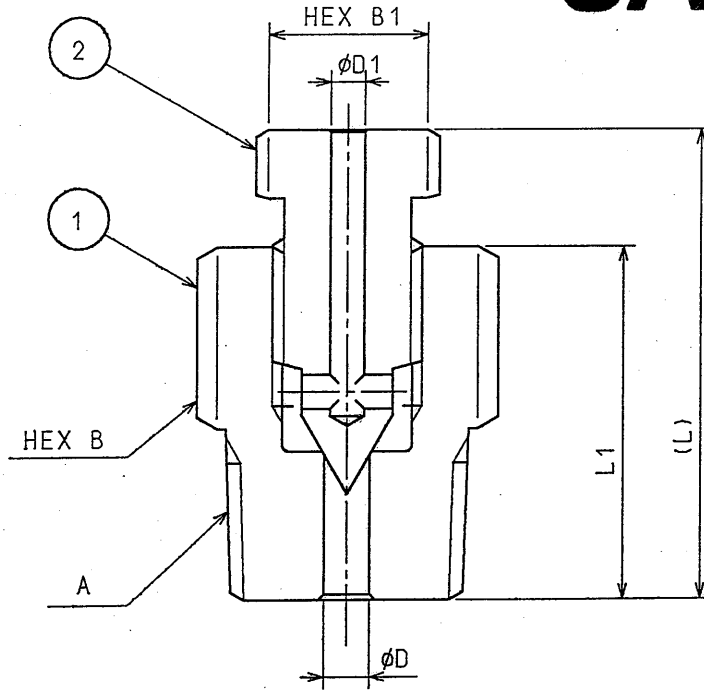


REMARK

SAMPLE



A	D	D1	B	B1	L	L1	ITEM NO.
R1/8 (PT1/8)	4	3	19	14	42.5	32.5	UV-A
R1/4 (PT1/4)	4	3	19	14	42.5	32.5	UV-B
R3/8 (PT3/8)	4	3	19	14	43.5	33.5	UV-C
R1/2 (PT1/2)	4	3	23	14	41	31	UV-D
1/8NPT	4	3	19	14	42.5	32.5	UV-AN
1/4NPT	4	3	19	14	42.5	32.5	UV-BN
3/8NPT	4	3	19	14	43.5	33.5	UV-CN
1/2NPT	4	3	23	14	41	31	UV-DN

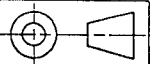


					14				
					13				
△	'99-09-24	Changed to a unit of SI	Fujikin	Kitada	12				
NO.	DATE	CONTENTS	REVISED	APPD.	11				
REVISION					10				
DATE	'92-06-19	MPa	HYDRO	AIR	9				
SCALE	FREE	SHELL	38.1	/	8				
APPD.	<i>F. Minami</i>	SEAT	/	28.0	7				
CHKD.	<i>T. Takahama</i>	BACK SEAT	/	/	6				
DESIGN	<i>S. Nagusa</i>	SEAL	/	/	5				
ITEM NO.					4				
TRADEMARK					3				
NAME	STAINLESS STEEL				2	DISK	SUS 316	1	
	△ 25.4MPa VENT PLUG				1	BODY	SUS 316	1	
	Fujikin Incorporated				MATERIAL LIST				
	株式会社 フジキン				DRG. NO.	U333448E	REV. MARK	1	
CAREER					070	UV			
					UV-A (M) -D (M)	12	CAB. NO.		

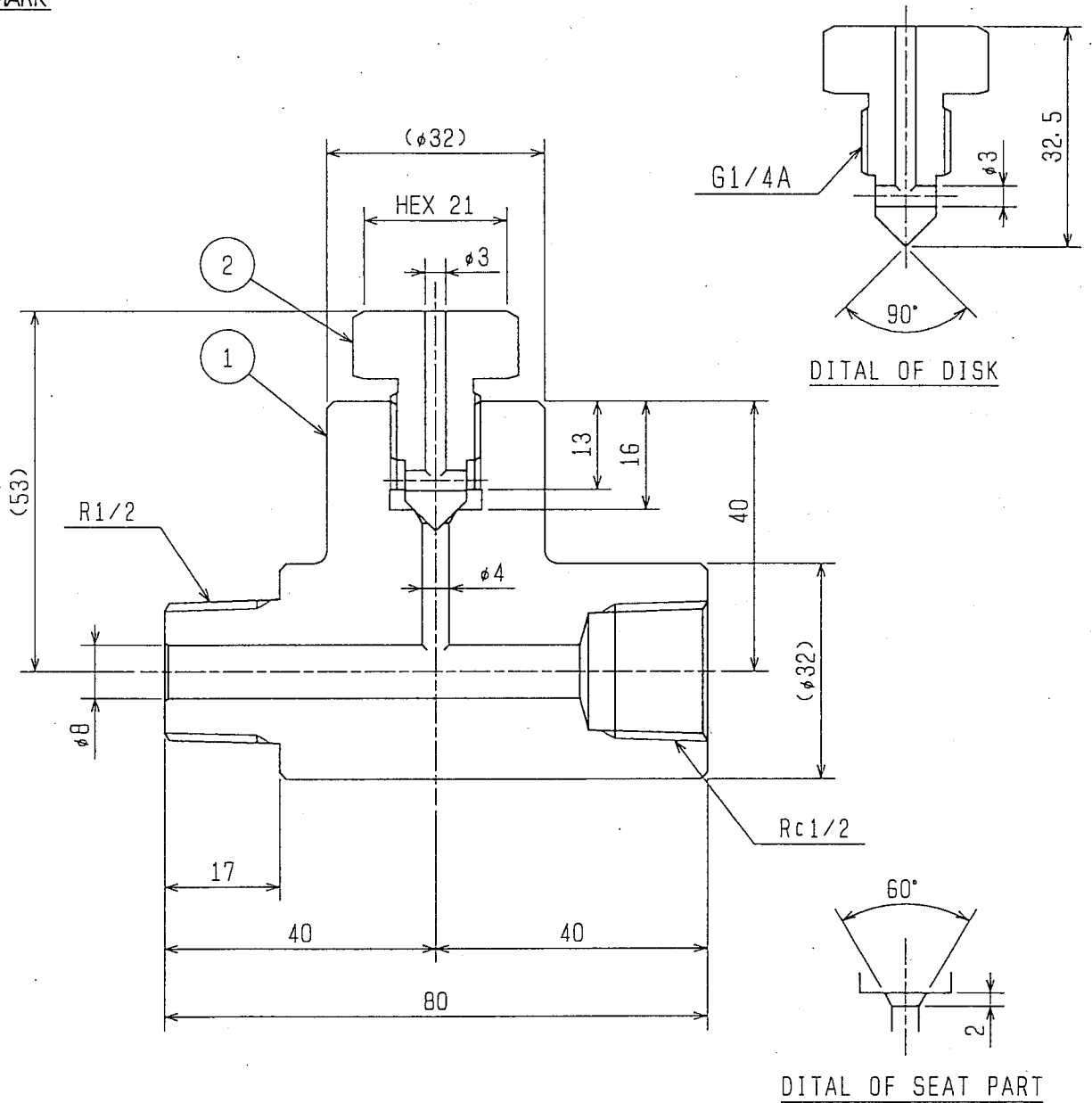
RECIPIENT

UNIT (mm)

THE THIRD ANGLE



REMARK



REV. NO.	DATE	REVISED DESCRIPTION	REVISED	APPD.	14				
					13				
					12				
REVISION					11				
DATE	'04-01-05	TEST PRESS.	MPa		10				
SCALE	FREE	ITEM	FLUID	HYDRO	AIR	9			
APPD.	<i>J. Minami</i>	SHELL		37.3		8			
CHKD.	<i>J. Minami</i>	SEAT			27.4	7			
DESIGN	<i>J. Nakahama</i>	BACKSEAT				6			
		SEAL				5			
MODEL NO.	UVTS-D-DAM				4				
TRADEMARK OR MODEL NAME					3				
NAME	STAINLESS STEEL CLASS1500 VENT PLUG				2	DISK	SUS316	1	
					1	BODY	SUSF316	1	
					MATERIAL LIST				
					DRG. NO.	U331035E		REV. MARK	0
CAREER					070	UV			
					UVSLG-D	7	CAB. NO.		