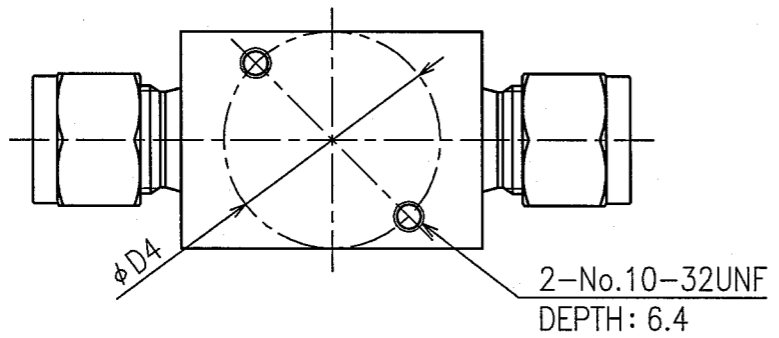


ON THE CASE OF phi 6.35



REVISION				
REV. NO.	DATE	REVISED DESCRIPTION	REVISED	APPD.

REMARK * 1: Material of phi 6.35 is 'Phenolic Resin+DC2'.
* 2: Amount of phi 6.35 is 2.

PART. NO.	NAME OF PARTS	MATERIAL	Q'TY	REMARK
19				
18				
17	NUTS	ASTM A276 316	2	Ag PLATING
16	BACK RINGS	ASTM A276 316	2	
15	FRONT RINGS	ASTM A276 316	2	
14	SET SCREW	ANSI 18.3 ALLOY STEEL	1	* 2
13	NAME PLATE	POLYESTER	1	phi 6.35 ONLY
12	HANDLE	ALUMINUM 2024-T4	1	* 1 COLOR: GREEN
11	PANEL NUT	ASTM A276 316	1	
10	BONNET NUT	ASTM A479 316	1	Ag PLATING
9	STOP PIN	SUS304	1	
8	GASKET	ASTM A580 316	1	Ag PLATING
7	STEM (2)	ASTM A582 416	1	
6	WELD RING	ASTM A479 316	1	
5	BELLOWS	ASTM A240 321	1	
4	STEM (1)	ASTM A479 316	1	
3	DISK	COBALT-BASED ALLOY +ASTM A479 316	1	
2	BONNET	ASTM A479 316	1	
1	BODY	ASTM A479 316	1	

MATERIAL LIST

DATE	10.24.11	TEST PRESS. MPa		
SCALE	FREE	ITEM	FLUID	MPa
APPD.	<i>[Signature]</i>	SHELL	HYDRO	GN2
CHKD.	<i>m. Sogao</i>	SEAT	10.4	7.58
DESIGN	<i>m. Matsumoto</i>	BACKSEAT		
		SEAL		7.58

RECIPIENT	
MODEL NO.	
TRADEMARK OR MODEL NAME	
NAME	STAINLESS STEEL 6.89MPa V-Lok® TYPE BELLOWS VALVE
DRG NO.	U15116E
REV. MARK	△ 0

Fujikin Incorporated
株式会社 フジキン

NOMINAL DIA. D	D1	L1	L2	L3	B1	H	D2	H1	L	H2	L4	D3	B2	D4	T MAX.	ITEM No.
6.35	4.1	62.5	47.8	15.2	14.3	36.8	19.3	92.5	2	14.2	/	47.8	25.4	25.4	9.7	VUBF-96P-6.35
9.52	7.6	78.5	63.7	16.8	17.5	39.9	19.3	106	3.7	12.7	63.5	/	28.7	28.7	9.7	VUBF-96P-9.52
12.7	7.6	83.8	63.5	22.9	22.2	39.9	19.3	106	3.7	12.7	63.5	/	28.7	28.7	9.7	VUBF-96P-12.7

CAREER		CONTRAST TABLE	NOMINAL SIZE (A)	6	8	10	15	20	25	32	40	50	65	80	90	100	125	150	200	250	UNIT(mm)	THE THIRD ANGLE	acac051/VUBF	CAB. NO.
			NOMINAL SIZE (B)	1/8	1/4	3/8	1/2	3/4	1	1 1/4	1 1/2	2	2 1/2	3	3 1/2	4	5	6	8	10				
			OUTSIDE DIAMETER	10.5	13.8	17.3	21.7	27.2	34.0	42.7	48.6	60.5	76.3	89.1	101.6	114.3	139.8	165.2	216.3	267.4				