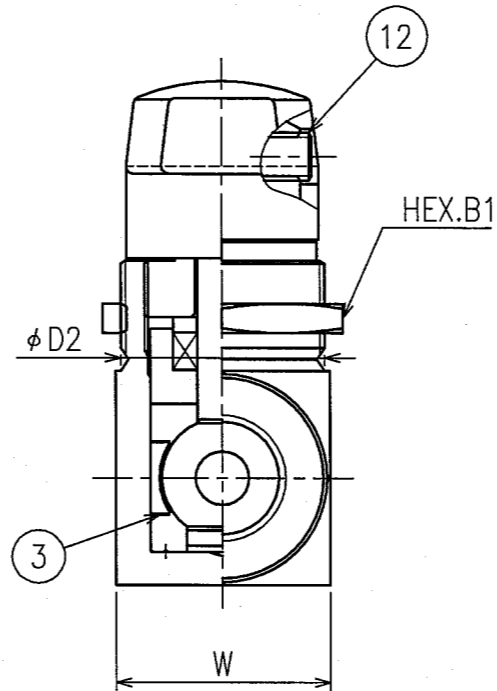
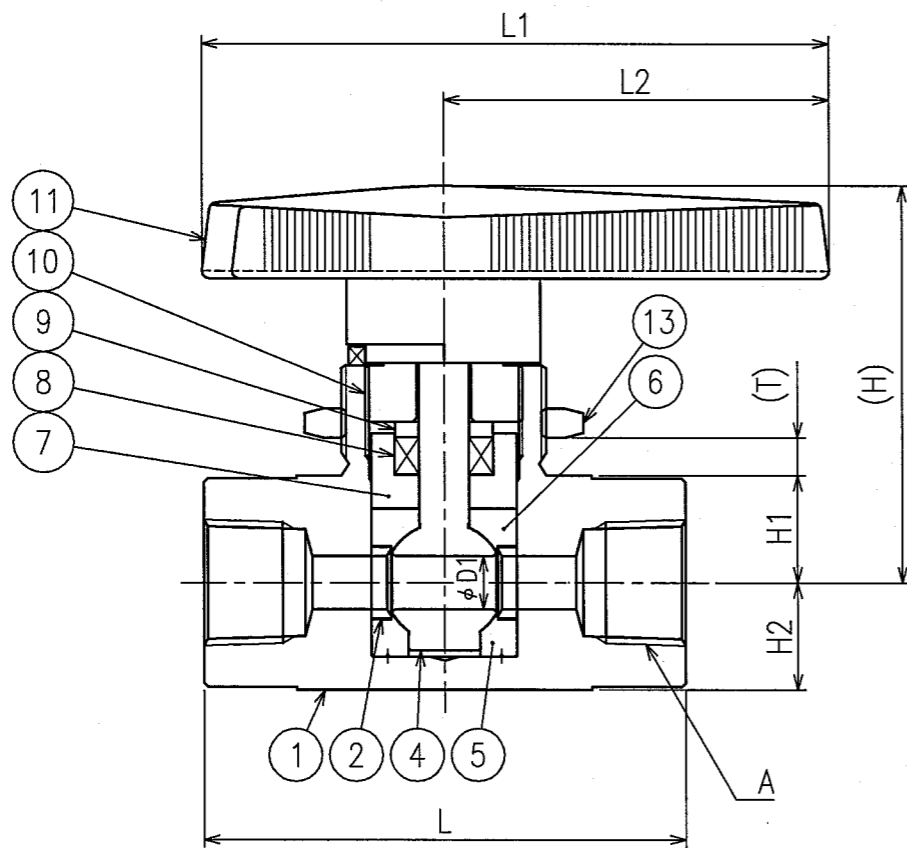


ON THE CASE OF 1/2B

NOMINAL DIA.	DESIGN PRESS. (MPa)	TEST PRESS. (MPa)		
		FLUID: HYDRO	FLUID: GN ₂	
		SHELL	SEAT	SEAL
1/4B	20.6	30.9	22.7	22.7
3/8B	17.2	25.8	19.0	19.0
1/2B	17.2	25.8	19.0	19.0



NOMINAL DIA.	D1	L	A	B1	L1	L2	H	H1	H2	W	D2	T MAX.	ITEM No.
1/4B	4.8	52.3	1/4NPT	25.4	63.9	38.9	39.6	11.2	9.7	19.8	19.8	4.8	VUBV-120PBN
3/8B	7.1	63.5	3/8NPT	31.8	82.8	50.8	52.6	14.2	14.2	28.4	28.6	9.5	VUBV-120PCN
1/2B	10.3	79.2	1/2NPT	44.5	108.2	76.2	61.7	17.5	17.5	38.1	38.1	9.5	VUBV-120PDN

REVISION

REV. NO.	DATE	REVISED DESCRIPTION	REVISED	APPD.
△	10.12.11	Material of RETAINER1,2 is changed, and material of SET SCREW is written together.	M.Matsuoka	Y.Shimomura
△	9.28.12	Material of PANEL NUT is written together etc.	M.Matsuoka	Y.Shimomura
△	12.26.12	Full review.	M.Matsuoka	M.Soga

REMARK

REV. NO.	DATE	REVISED DESCRIPTION	REVISED	APPD.	
19					
18					
17					
16					
15					
14		SPACER	ASTM A276 304	1	1/2B ONLY
13		PANEL NUT	ASTM A276 304 or ASTM A276 316	1	
12		SET SCREW	S17400 or SUS630	1	
11		HANDLE	NYLON6+ADC6	1	BLACK
10		PACKING GLAND SCREW	ASTM A276 316	1	
9		PACKING GLAND BUSH	ASTM A276 316	1	
8		GLAND PACKING	PTFE	1	
7		PACKING BOX	ASTM A276 316	1	
6		SEAT2	PTFE	1	
5		SEAT1	PTFE	1	
4		STEM	ASTM A276 316	1	
3		RETAINER2	SUS316L	2	
2		RETAINER1	SUS316L	2	
1		BODY	ASTM A479 316	1	
PART.NO.	NAME OF PARTS	MATERIAL	Q'TY	REMARK	

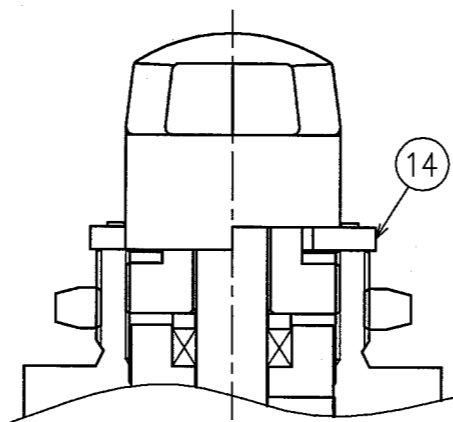
MATERIAL LIST

DATE	4.16.10	TEST PRESS. MPa			
SCALE	FREE	ITEM	FLUID	HYDRO	GN ₂
APPD.	<i>M. Soga</i>	SHELL			
CHKD.	<i>M. Soga</i>	SEAT			
DESIGN	<i>M. Matsuoka</i>	BACKSEAT			
		SEAL			

RECIPIENT			
MODEL NO.			
TRADEMARK OR MODEL NAME			
NAME	STAINLESS STEEL SCREWED TYPE BALL VALVE		
DRG NO.	U241126E	REV.MARK	△ 3

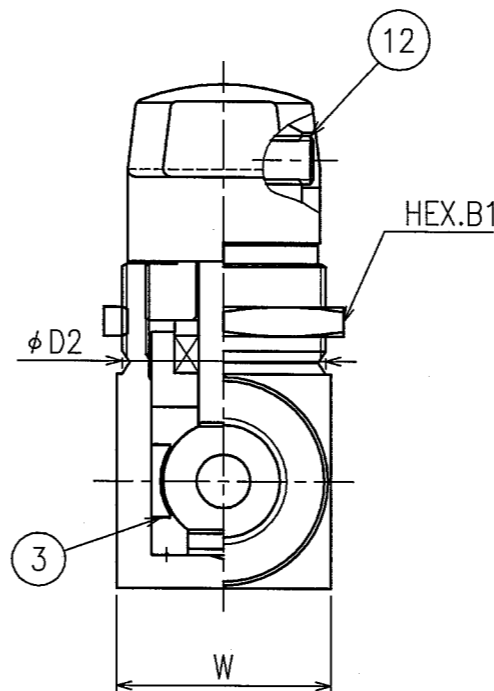
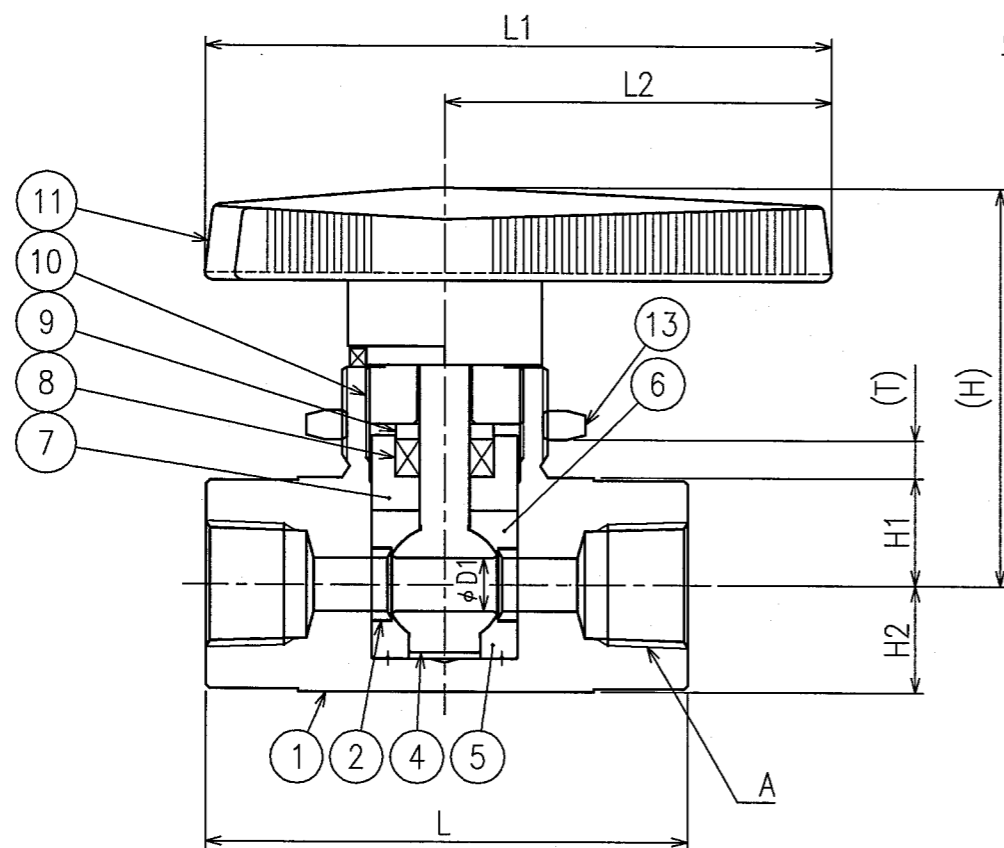
Fujikin Incorporated
株式会社 フジキン

CAREER		CONTRAST TABLE	NOMINAL SIZE (A)	6	8	10	15	20	25	32	40	50	65	80	90	100	125	150	200	250	UNIT(mm)	THE THIRD ANGLE	acad060/VUBV	CAB. NO.	
			NOMINAL SIZE (B)	1/8	1/4	3/8	1/2	3/4	1	1 1/4	1 1/2	2	2 1/2	3	3 1/2	4	5	6	8	10					
			OUTSIDE DIAMETER	10.5	13.8	17.3	21.7	27.2	34.0	42.7	48.6	60.5	76.3	89.1	101.6	114.3	139.8	165.2	216.3	267.4					



NOMINAL DIA.	DESIGN PRESS. (MPa)	TEST PRESS. (MPa)		
		FLUID: HYDRO	FLUID: GN ₂	
		SHELL	SEAT	SEAL
1/4B	20.6	30.9	22.7	22.7
3/8B	17.2	25.8	19.0	19.0
1/2B	17.2	25.8	19.0	19.0

ON THE CASE OF 1/2B



NOMINAL DIA.	D1	L	A	B1	L1	L2	H	H1	H2	W	D2	T MAX.	ITEM No.
1/4B	4.8	52.3	Rc1/4	25.4	63.9	38.9	39.6	11.2	9.7	19.8	19.8	4.8	VUBV-120PB
3/8B	7.1	63.5	Rc3/8	31.8	82.8	50.8	52.6	14.2	14.2	28.4	28.6	9.5	VUBV-120PC
1/2B	10.3	79.2	Rc1/2	44.5	108.2	76.2	61.7	17.5	17.5	38.1	38.1	9.5	VUBV-120PD

REVISION

REV. NO.	DATE	REVISED DESCRIPTION	REVISED	APPD.
△1	9.28.12	Material of PANEL NUT is written together etc.	M.Matsuoka	Y.Shimomura
△2	12.26.12	Full review.	M.Matsuoka	M.Sagara

REMARK

19				
18				
17				
16				
15				
14	SPACER	ASTM A276 304	1	1/2B ONLY
13	PANEL NUT	ASTM A276 304 or ASTM A276 316	1	
12	SET SCREW	S17400 or SUS630	1	
11	HANDLE	NYLON6+ADC6	1	BLACK
10	PACKING GLAND SCREW	ASTM A276 316	1	
9	PACKING GLAND BUSH	ASTM A276 316	1	
8	GLAND PACKING	PTFE	1	
7	PACKING BOX	ASTM A276 316	1	
6	SEAT2	PTFE	1	
5	SEAT1	PTFE	1	
4	STEM	ASTM A276 316	1	
3	RETAINER2	SUS316L	2	
2	RETAINER1	SUS316L	2	
1	BODY	ASTM A479 316	1	

PART. NO.	NAME OF PARTS	MATERIAL	QTY	REMARK
-----------	---------------	----------	-----	--------

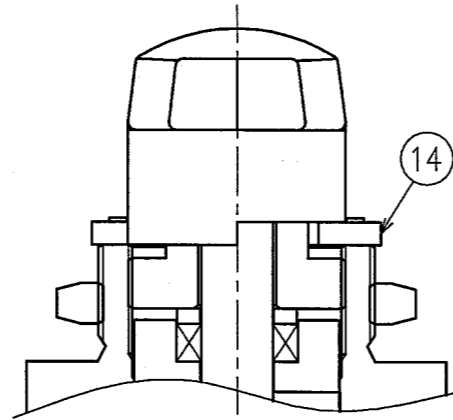
MATERIAL LIST

DATE	10.12.11	TEST PRESS. MPa		
		FLUID	HYDRO	GN ₂
SCALE	FREE	SHELL	/	/
APPD.	M.Sagara	SEAT	/	/
CHKD.	M.Sagara	BACKSEAT	/	/
DESIGN	M.Matsuoka	SEAL	/	/

RECIPIENT	
MODEL NO.	
TRADEMARK OR MODEL NAME	
NAME	STAINLESS STEEL SCREWED TYPE BALL VALVE
DRG NO.	U241137E
REV.MARK	△2

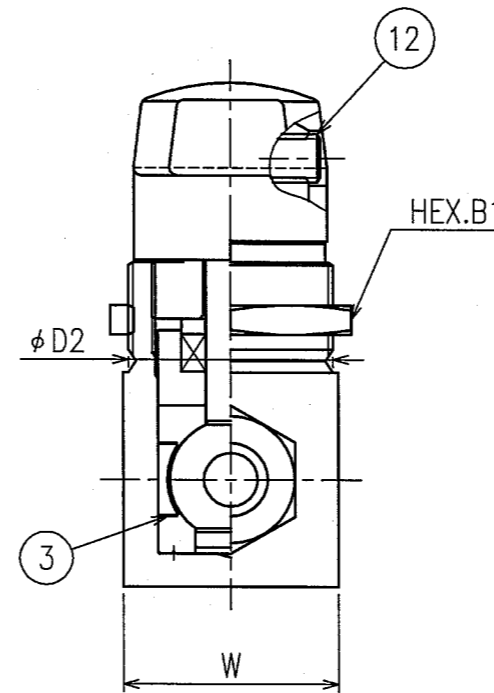
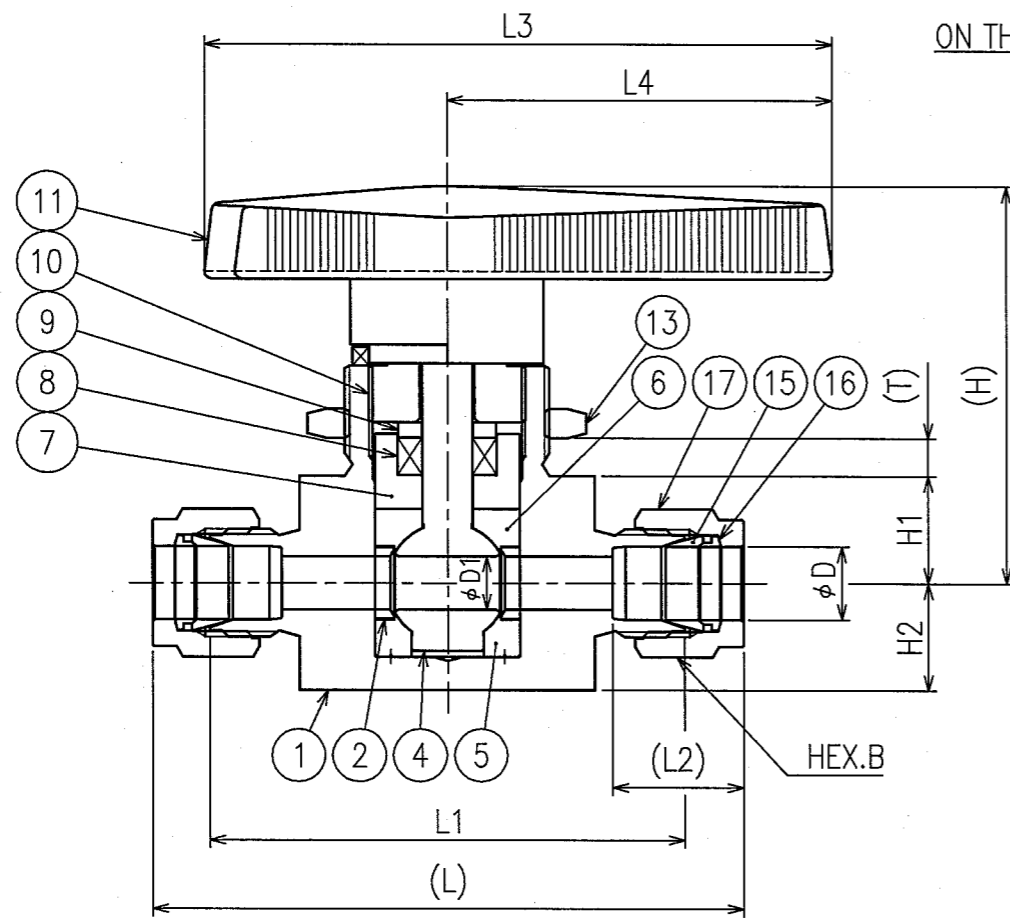
Fujikin Incorporated
株式会社 フジキン

CAREER	CONTRAST TABLE												UNIT(mm)	THE THIRD ANGLE		acad060/VUBV	CAB. NO.						
	NOMINAL SIZE (A)	6	8	10	15	20	25	32	40	50	65	80						90	100	125	150	200	250
	NOMINAL SIZE (B)	1/8	1/4	3/8	1/2	3/4	1	1 1/4	1 1/2	2	2 1/2	3						3 1/2	4	5	6	8	10
	OUTSIDE DIAMETER	10.5	13.8	17.3	21.7	27.2	34.0	42.7	48.6	60.5	76.3	89.1	101.6	114.3	139.8	165.2	216.3	267.4					



ON THE CASE OF $\phi 12.7$, $\phi 19.05$

NOMINAL DIA. D	DESIGN PRESS. (MPa)	TEST PRESS. (MPa)		
		FLUID: HYDRO		FLUID: GN ₂
		SHELL	SEAT	SEAL
6.35	20.6	30.9	22.7	22.7
9.52	17.2	25.8	19.0	19.0
12.7	17.2	25.8	19.0	19.0
19.05	17.2	25.8	19.0	19.0



NOMINAL DIA. D	D1	L	L1	L2	B	B1	L3	L4	H	H1	H2	W	D2	T MAX.	ITEM No.
6.35	4.8	59.9	45.1	15.2	14.3	25.4	63.9	38.9	39.6	11.2	9.7	19.8	19.8	4.8	VUBV-920P-6.35
9.52	7.1	77.5	62.7	16.8	17.5	31.8	82.8	50.8	52.6	14.2	14.2	28.4	28.6	9.5	VUBV-920P-9.52
12.7	10.3	99.6	79.2	22.9	22.2	44.5	108.2	76.2	61.7	17.5	17.5	38.1	38.1	9.5	VUBV-920P-12.7
19.05	10.3	99.6	79.2	24.4	28.6	44.5	108.2	76.2	61.7	17.5	17.5	38.1	38.1	9.5	VUBV-920P-19.05

REVISION				
REV. NO.	DATE	REVISED DESCRIPTION	REVISED	APPD.
\triangle	10.12.11	Material of RETAINER1,2 is changed, and material of SET SCREW is written together.	M.Matsuoka	Y.Shimomura
\triangle	9.28.12	Material of PANEL NUT is written together etc.	M.Matsuoka	Y.Shimomura
\triangle	12.26.12	Full review.	M.Matsuoka	Y.Shimomura

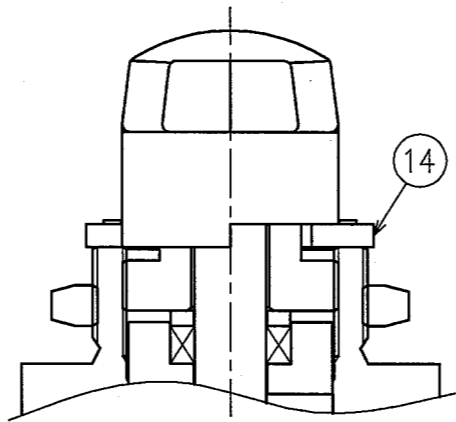
REMARK				
PART.NO.	NAME OF PARTS	MATERIAL	Q'TY	REMARK
19				
18				
17	NUT	ASTM A276 316	2	AgPLATING
16	BACK RING	ASTM A276 316	2	
15	FRONT RING	ASTM A276 316	2	
14	SPACER	ASTM A276 304 or ASTM A276 316	1	$\phi 12.7$, $\phi 19.05$ ONLY
13	PANEL NUT	ASTM A276 304 or ASTM A276 316	1	
12	SET SCREW	S17400 or SUS630	1	
11	HANDLE	NYLON6+ADC6	1	BLACK
10	PACKING GLAND SCREW	ASTM A276 316	1	
9	PACKING GLAND BUSH	ASTM A276 316	1	
8	GLAND PACKING	PTFE	1	
7	PACKING BOX	ASTM A276 316	1	
6	SEAT2	PTFE	1	
5	SEAT1	PTFE	1	
4	STEM	ASTM A276 316	1	
3	RETAINER2	SUS316L	2	
2	RETAINER1	SUS316L	2	
1	BODY	ASTM A479 316	1	

MATERIAL LIST					
DATE	4.22.10	TEST PRESS. MPa			
SCALE	FREE	ITEM	FLUID	HYDRO	GN ₂
APPD.	<i>m. Sogai</i>	SHELL			
CHKD.	<i>m. Sogai</i>	SEAT			
DESIGN	<i>m. Matsuoka</i>	BACKSEAT			
		SEAL			

RECIPIENT	
MODEL NO.	
TRADEMARK OR MODEL NAME	
NAME	STAINLESS STEEL V-Lok TYPE BALL VALVE
DRG NO.	U24982E
REV.MARK	\triangle 4

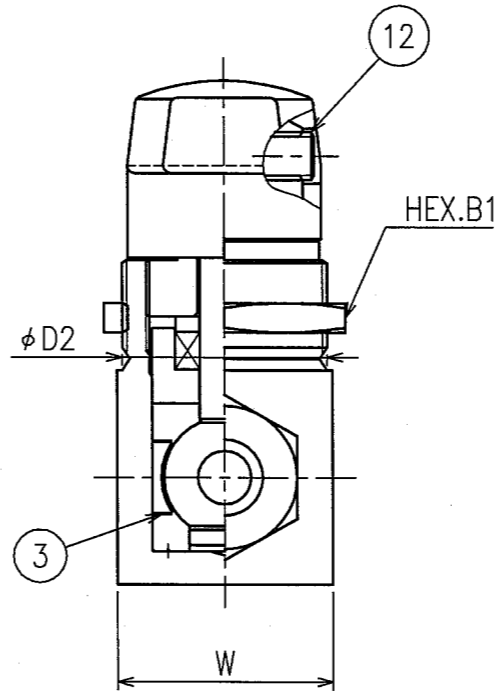
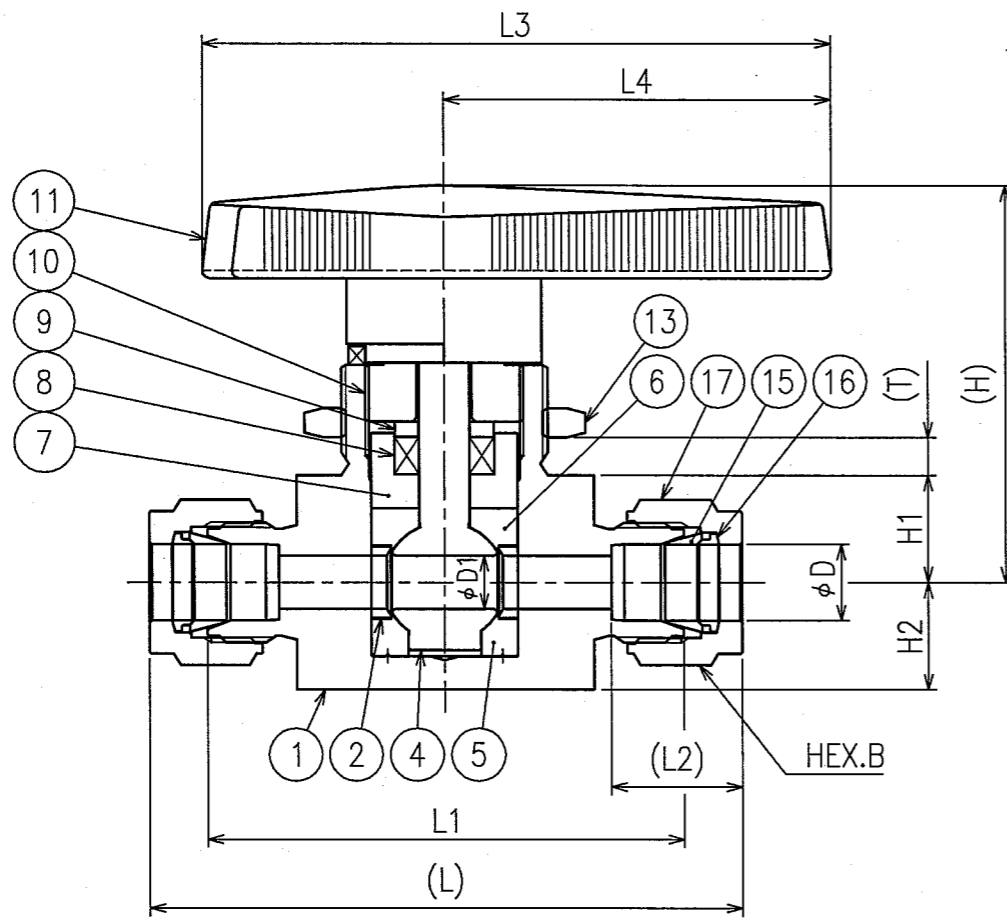
Fujikin Incorporated
株式会社 フジキン

CAREER	CONTRAST TABLE															UNIT(mm)	THE THRD ANGLE		acad060/VUBV	CAB. NO.				
	NOMINAL SIZE (A)		6	8	10	15	20	25	32	40	50	65	80	90	100						125	150	200	250
	NOMINAL SIZE (B)		1/8	1/4	3/8	1/2	3/4	1	1 1/4	1 1/2	2	2 1/2	3	3 1/2	4						5	6	8	10
OUTSIDE DIAMETER		10.5	13.8	17.3	21.7	27.2	34.0	42.7	48.6	60.5	76.3	89.1	101.6	114.3	139.8	165.2	216.3	267.4						



ON THE CASE OF φ12

NOMINAL DIA. D	DESIGN PRESS. (MPa)	TEST PRESS. (MPa)		
		FLUID: HYDRO		FLUID: GN ₂
		SHELL	SEAT	SEAL
6	20.6	30.9	22.7	22.7
8	20.6	30.9	22.7	22.7
10	17.2	25.8	19.0	19.0
12	17.2	25.8	19.0	19.0



NOMINAL DIA. D	D1	L	L1	L2	B	B1	L3	L4	H	H1	H2	W	D2	T MAX.	ITEM No.
6	4.8	60.7	45.9	15.3	14	25.4	63.9	38.9	39.6	11.2	9.7	19.8	19.8	4.8	VUBV-920P-6
8	4.8	62.5	47.5	16.2	16	25.4	63.9	38.9	39.6	11.2	9.7	19.8	19.8	4.8	VUBV-920P-8
10	7.1	78.0	62.8	17.2	19	31.8	82.8	50.8	52.6	14.2	14.2	28.4	28.6	9.5	VUBV-920P-10
12	10.3	99.6	79.4	22.8	22	44.5	108.2	76.2	61.7	17.5	17.5	38.1	38.1	9.5	VUBV-920P-12

REVISION				
REV. NO.	DATE	REVISED DESCRIPTION	REVISED	APPD.
△	9.28.12	Material of PANEL NUT is written together etc.	M.Matsuoka	Y.Shimomura
△	12.26.12	Full review.	M.Matsuoka	M.Sogae

REMARK				
REV. NO.	NAME OF PARTS	MATERIAL	Q'TY	REMARK
19				
18				
17	NUT	ASTM A276 316	2	AgPLATING
16	BACK RING	ASTM A276 316	2	
15	FRONT RING	ASTM A276 316	2	
14	SPACER	ASTM A276 304	1	φ12 ONLY
13	PANEL NUT	ASTM A276 304 or ASTM A276 316	1	
12	SET SCREW	S17400 or SUS630	1	
11	HANDLE	NYLON6+ADC6	1	BLACK
10	PACKING GLAND SCREW	ASTM A276 316	1	
9	PACKING GLAND BUSH	ASTM A276 316	1	
8	GLAND PACKING	PTFE	1	
7	PACKING BOX	ASTM A276 316	1	
6	SEAT2	PTFE	1	
5	SEAT1	PTFE	1	
4	STEM	ASTM A276 316	1	
3	RETAINER2	SUS316L	2	
2	RETAINER1	SUS316L	2	
1	BODY	ASTM A479 316	1	

MATERIAL LIST				
DATE	10.12.11	TEST PRESS. MPa		
SCALE	FREE	FLUID	HYDRO	GN ₂
APPD.	M.Sogae	SHELL		
CHKD.	M.Sogae	SEAT		
DESIGN	M.Matsuoka	BACKSEAT		
		SEAL		

RECIPIENT	
MODEL NO.	
TRADEMARK OR MODEL NAME	
NAME	STAINLESS STEEL V-Lok ® TYPE BALL VALVE
DRG NO.	U241136E
REV.MARK	△ 2
Fujikin Incorporated 株式会社 フジキン	

CAREER		CONTRAST TABLE	NOMINAL SIZE (A)	6	8	10	15	20	25	32	40	50	65	80	90	100	125	150	200	250	UNIT(mm)	THE THIRD ANGLE	acad060/VUBV	CAB. NO.	
			NOMINAL SIZE (B)	1/8	1/4	3/8	1/2	3/4	1	1 1/4	1 1/2	2	2 1/2	3	3 1/2	4	5	6	8	10					
			OUTSIDE DIAMETER	10.5	13.8	17.3	21.7	27.2	34.0	42.7	48.6	60.5	76.3	89.1	101.6	114.3	139.8	165.2	216.3	267.4					