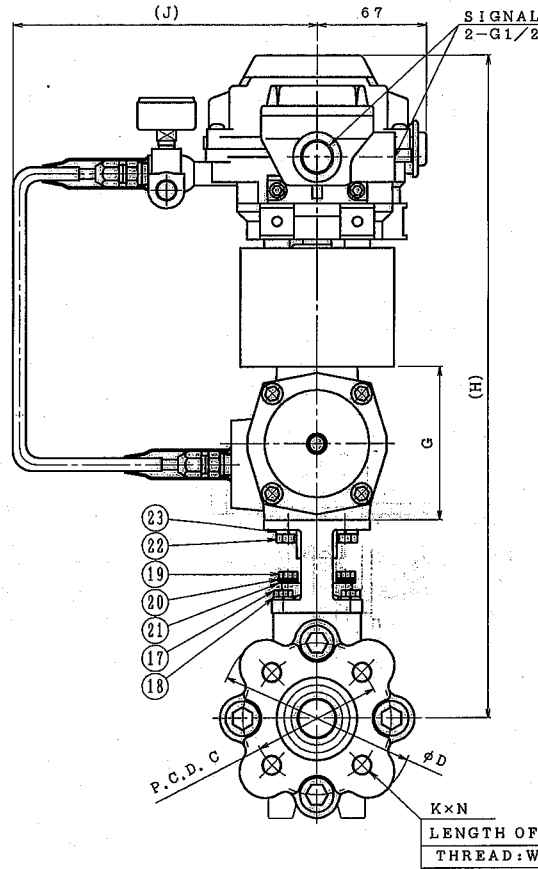
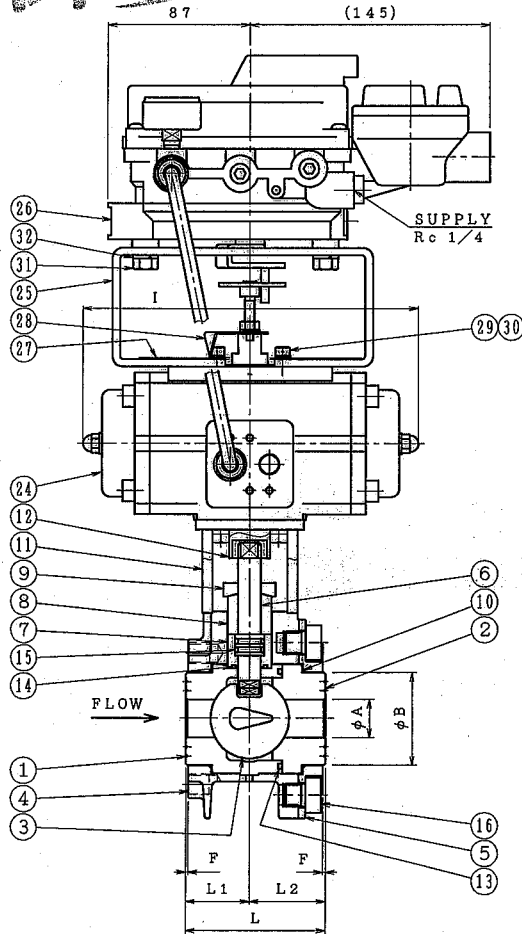


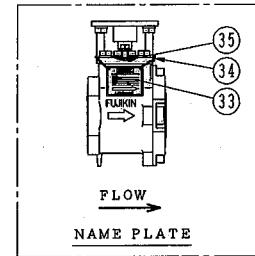
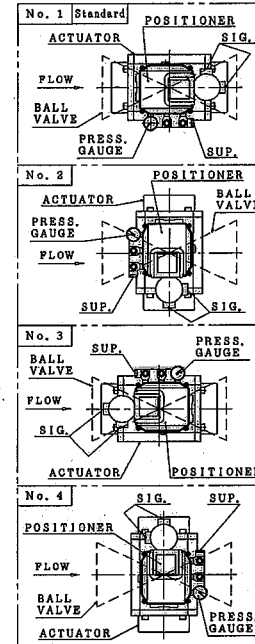
32	SPRING WASHERS	SUS304	3			27	INDICATOR SCALE	SUS304	1			22	HEXAGON BOLT	SUS304	4		
33	NAME PLATE	SUS304	1			28	INDICATOR	SUS304	1			23	SPRING WASHERS	SUS304	4		
34	BALL CHAIN	SUS304	1	φ3.2		29	CAP BOLT	SUS304	4			24	ACTUATOR		1	ELOMATIC	
35	CONNECTER	SUS304	1			30	SPRING WASHERS	SUS304	4			25	BRACKET	SUS304	1		
						31	HEXAGON BOLT	SUS304	3			26	E/P POSITIONER		1	SSS	

REVISION				
REV. MARK	DATE	CONTENTS	REVISION	APPD.
△				
△				
△				

御参考図



ACTUATOR ORIENTATION (TOP VIEW) (SSS;XE POSITIONER)



Note  
 1) The character which shows Flange Connection Standard is on※1. (i.e. J:JIS 10K A:ANSI 150 D:DIN PN 10)  
 2) Cv Value goes into※2. (UNIT:mm)

REMARK Please refer to CONTROL VALVE DATA SHEET for TEST PRESSURE.

21	WASHERS	SUS304	2		
20	SPRING WASHERS	SUS304	2		
19	HEXAGON BOLT	SUS304	2		
18	SPRING WASHERS	SUS304	4		
17	HEXAGON BOLT	SUS304	4		
16	CAP BOLT	SUS304	4		
15	ORING	FKM	2		
14	ORING	FKM	1		
13	ORING	FKM	1		
12	JOINT	SUS304	1		
11	YOKE	SCS13	1		
10	SHEET PACKING	PTFE	2		
9	GLAND FLANGE	SUS304	1		
8	GLAND BUSH	SUS304	1		
7	PACKING BOX	C-PTFE	1		
6	STEM	N06022	1	(HASTELLOY C-22)	
5	FLANGE	SCS13	1		
4	CYLINDER	SCS13	1		
3	BALL	CERAMICS	1	Al <sub>2</sub> O <sub>3</sub>	
2	SOCKET	CERAMICS	1	Al <sub>2</sub> O <sub>3</sub>	
1	BODY	CERAMICS	1	Al <sub>2</sub> O <sub>3</sub>	

PART NO.	NAME OF PARTS	MATERIAL	Q'TY	REMARK	G. T. NO.
片番	部 品 名	材 質	個 数	備 考	

MATERIAL LIST				
DATE	付	TEST	HYDRO	GN:
APR.14.'05		MPa	水 圧	検査項目
SCALE	尺 寸	SHELL	耐 圧	
FREE		SEAT	潤 滑	
APPD.		BACK SEAT	逆 座	
承認 K. D. ...		SEAL	気 密	
CHKD.				
検査 H. Maeda				
DESIGN				
設計 Y. Okada				

RECIPIENT 納入先  
 ITEM NO. 品番 CBV3R-ES※1F~I-E※2-FKK TYPE

TRADEMARK OR 商標 登録 商 品 名  
 COSMIX®

NAME 名 称  
 FINE CERAMICS SPRING BACK SIGNAL TO OPEN EQ% TYPE BALL VALVES WITH E/P POSITIONER

DRG. NO. 図 番 C24506E  
 REV. MARK 改 訂 0

Fujikin Incorporated  
 株式会社 フジキン

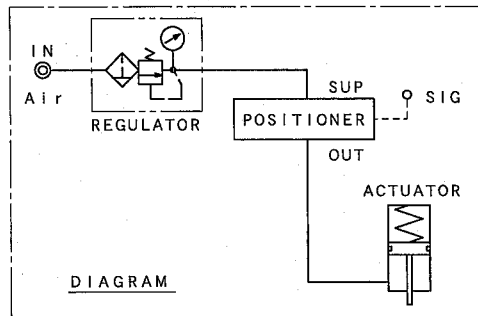
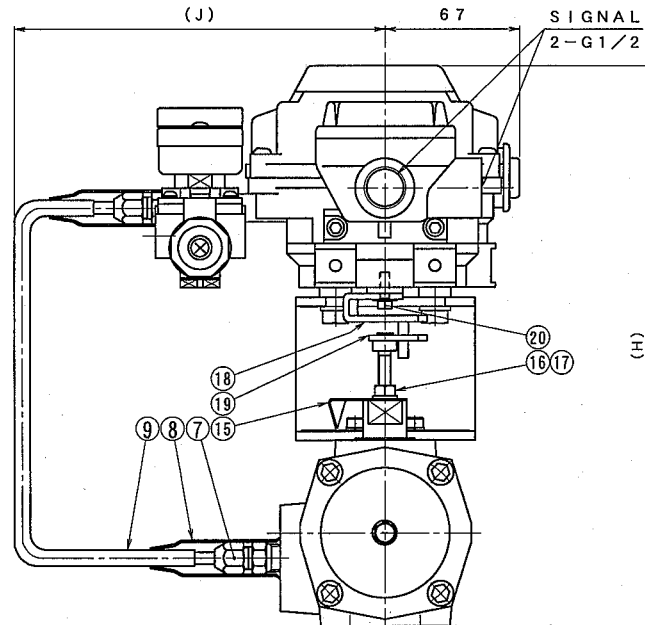
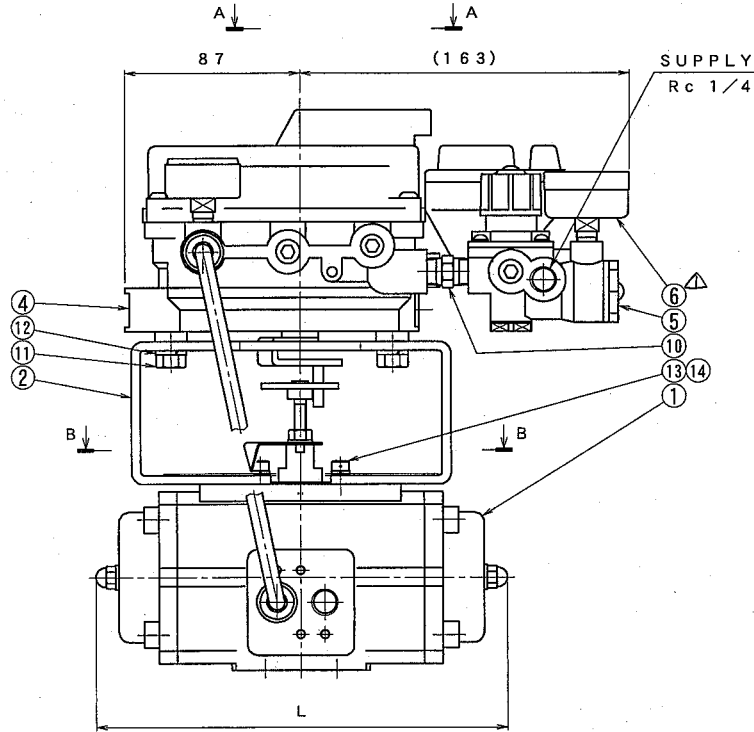
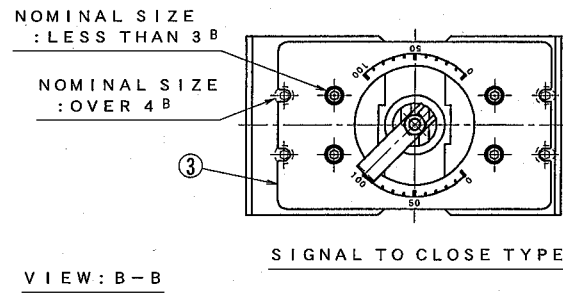
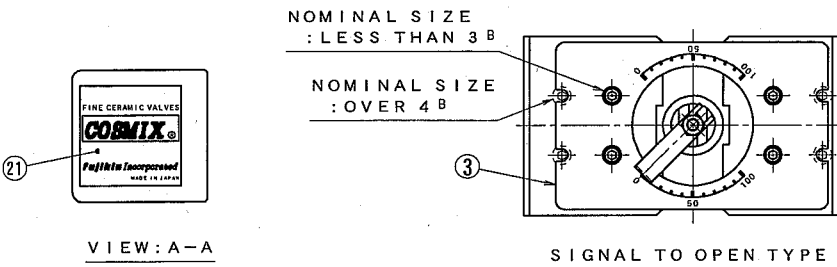
TYPE 型 式 803/cbv3/c24506e  
 CAB. NO. P-66⑥

NOMINAL SIZE		JIS 10K										ANSI 150				DIN PN10				ITEM No.					
A	B	A	B	D	L	L1	L2	F	G	H	I	J	C	K	N	W	C	K	N		W	C	K	N	W
25	1	23	56	125	85	39	46	1.5	93	401	204	160	90	4	M16	13	79.3	4	UNC 3/8	13	85	4	M12	13	CBV3R-ES※1 F-E※2-FKK
40	1 1/2	36	76	140	111	50	61	1.5	116	441	267	160	105	4	M16	16	98.6	4	UNC 1/2	13	110	4	M16	16	CBV3R-ES※1 H-E※2-FKK
50	2	44	94	155	120	57	63	1.5	116	448	267	160	120	4	M16	16	120.7	4	UNC 3/4	16	125	4	M16	16	CBV3R-ES※1 I-E※2-FKK

CAREER 来 歴	呼び番号 対 比 表	呼び径 (A呼称)	6	8	10	15	20	25	32	40	50	65	80	90	100	125	150	(175)	200	(225)	250	
		呼び径 (B呼称)	1/8	1/4	3/8	1/2	3/4	1	1 1/4	1 1/2	2	2 1/2	3	3 1/2	4	5	6	(7)	8	(9)	10	
		標準外径 (mm)	11.0	5.13	8.17	3.21	7.27	2.34	0.42	7.62	6.16	5.76	3.89	3.10	6.11	3.13	3.81	1.65	2.10	7.21	3.21	3.267

UNIT (mm) THE THIRD ANGLE 第三角法

TYPE 型 式 803/cbv3/c24506e CAB. NO. P-66⑥



NOMINAL SIZE		L	(H) <sup>Δ</sup>	(J)	ITEM No.
A	B				
15	1/2	172	268	160	CBV3-ESD-AS-FKM
20	3/4	204	281	160	CBV3-ESE-AS-FKM
25	1	204	281	160	CBV3-ESF-AS-FKM
40	1 1/2	267	306	160	CBV3-ESH-AS-FKM
50	2	267	306	160	CBV3-ESI-AS-FKM
65	2 1/2	360	331	160	CBV3-ESJ-AS-FKM
80	3	360	331	160	CBV3-ESK-AS-FKM
100	4	387	369	160	CBV3-ESM-AS-FKM
150	6	517	470	195	CBV3-ESO-AS-FKM

REVISION 改訂				
REV. MARK	DATE 日付	CONTENTS 改訂内容	REVISION 改訂	APPD. 承認
△	12.08.'08	Individual mark of gauge.		H. Nasu
△				
△				

REMARK 備考				
ITEM No.	NAME	MATERIAL	Q'TY	REMARK
21	LABEL		1	
20	HEXAGON BOLT WITH WASHER	SUS304	1	SSS M5
19	LEVER B	SUS304	1	SSS
18	LEVER A	SUS304	1	SSS
17	SPRING WASHERS	SUS304	1	SIZE 6, CLASS 2
16	HEXAGON NUT	SUS304	1	M6
15	INDICATOR	SUS304	1	
14	SPRING WASHERS	SUS304	4	SIZE 5
13	CAP BOLT	SUS304	4	M5X10
12	SPRING WASHERS	SUS304	3	SIZE 8, CLASS 2
11	HEXAGON BOLT	SUS304	3	M8X16
10	JOINT	SUS304 or SCS13	1	R 1/4
9	TUBE		1	6X1X1C
8	CAP	PVC	2	
7	R-JOINT		2	RH-6B
6	GAUGE		1	
5	REGULATOR		1	SSS
4	E/P POSITIONER		1	SSS
3	INDICATOR SCALE	SUS304	1	
2	BRACKET	SUS304	1	
1	ACTUATOR		1	ELOMATIC

PART. NO.	NAME OF PARTS	MATERIAL	Q'TY	REMARK	G. T. NO.
片番	部品名	材	個数	備考	

MATERIAL LIST 材料表				
DATE 日付	APR. 14.'05	TEST 試験	HYDRO 水压	GN 空気圧
SCALE 尺度	FREE	SHELL 耐圧	SEAT 密封	
APPD. 承認	H. Nasu	BACK SEAT 逆密封	SEAL 座	
CHKD. 審査	H. Nasu	力	気密	
DESIGN 設計	H. Nasu			

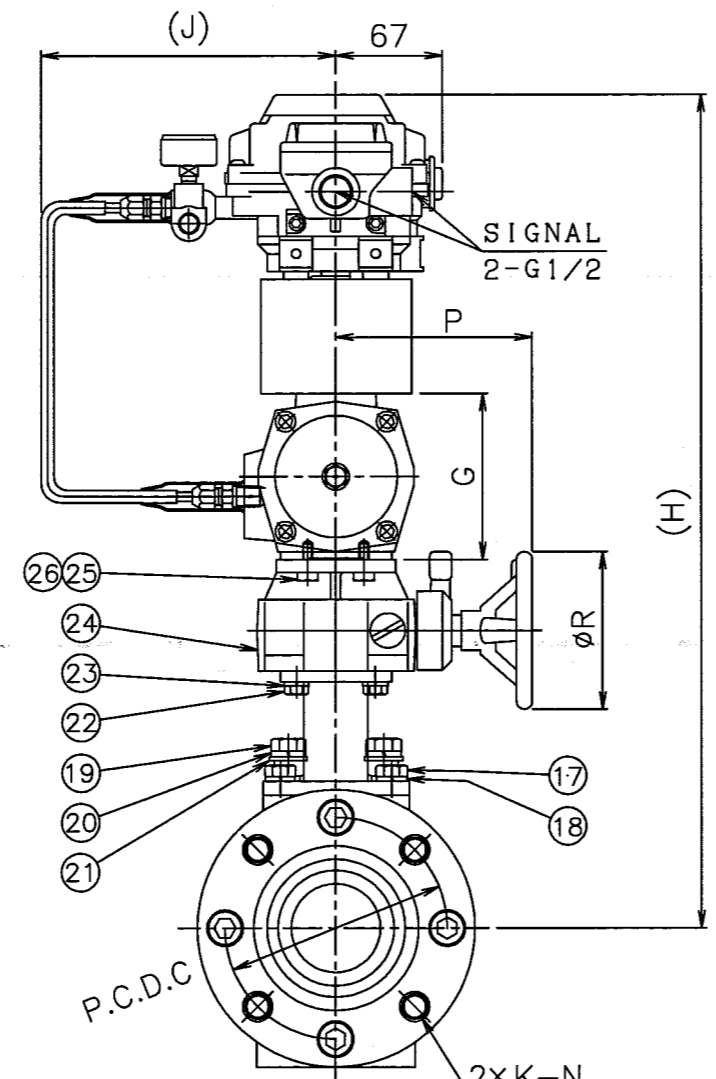
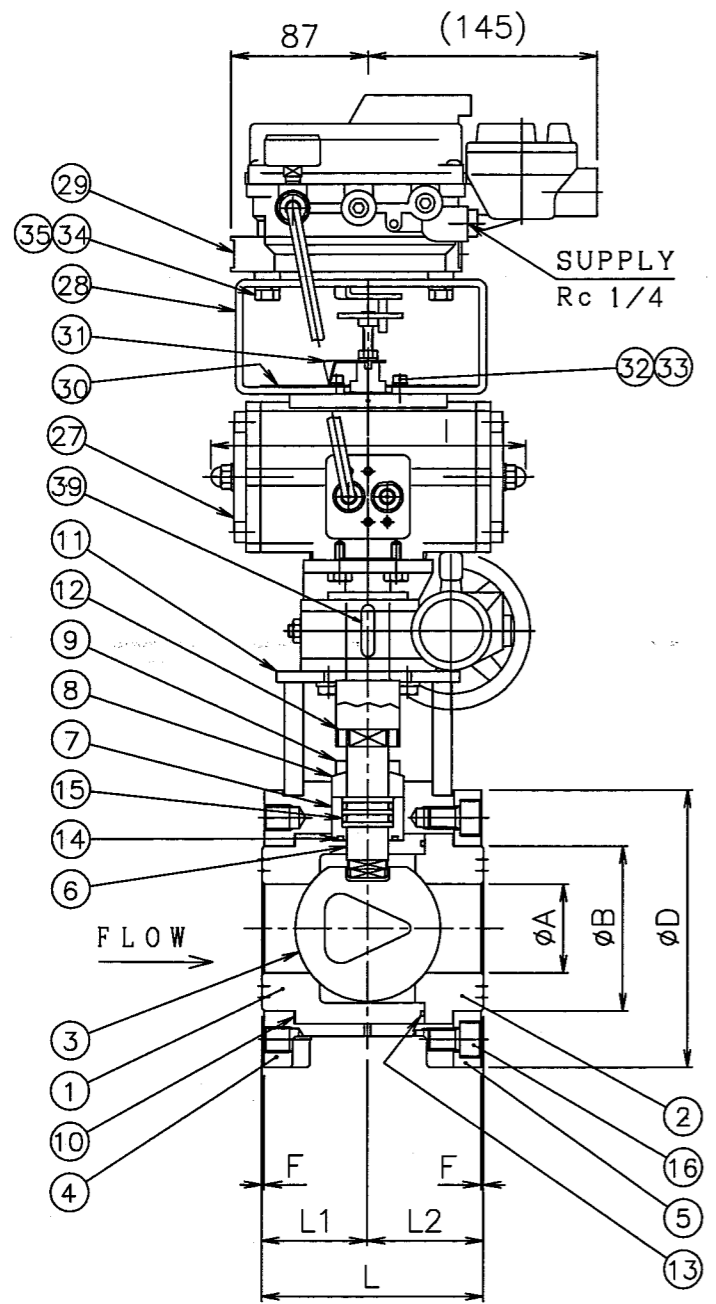
RECIPIENT 納入先	
ITEM NO. 品番	CBV3-ESD~O-AS-FKM TYPE
TRADEMARK OR 商標又は TRADE NAME 商品名	COSMIX®
NAME 名称	SPRING BACK TYPE ACTUATOR WITH E/P POSITIONER & REGULATOR OVERALL DIMENSIONS
DRG. NO. 図番	C24398E
REV. MARK 改訂	1
Fujikin Incorporated 株式会社 フジキン	

CAREER 来歴	呼び番号 対比表	呼び径 (A呼称)	6	8	10	15	20	25	32	40	50	65	80	90	100	125	150	175	200	225	250
		呼び径 (B呼称)	1/8	1/4	3/8	1/2	3/4	1	1 1/4	1 1/2	2	2 1/2	3	3 1/2	4	5	6	(7)	8	(9)	10
		鋼管外径 (mm)	10.5	13.8	17.3	21.7	27.3	34.0	42.7	48.6	60.5	76.3	89.1	101.6	114.3	133.8	165.2	191.7	216.3	241.8	267.4

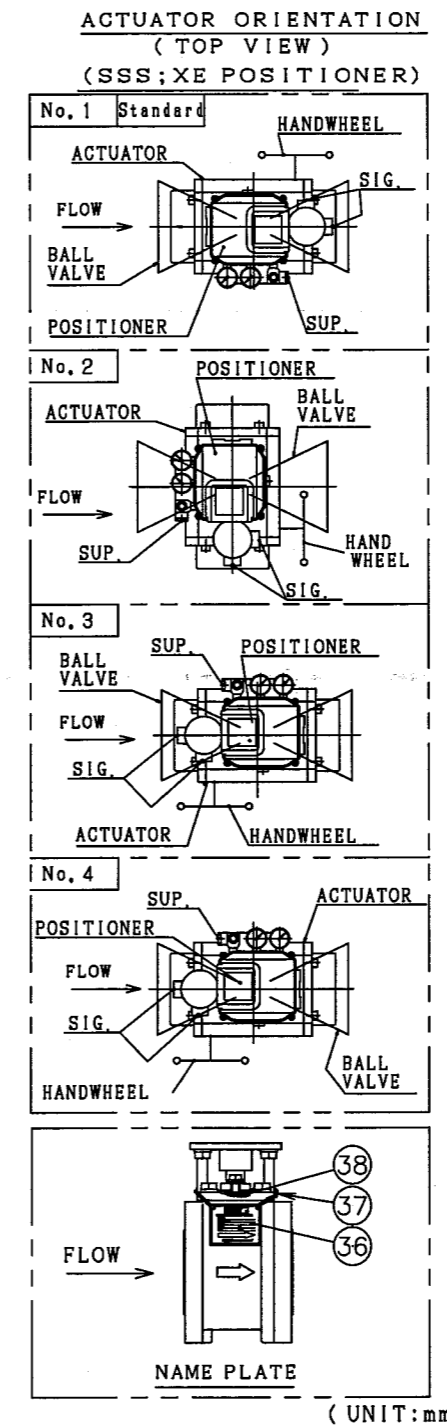
UNIT (mm)	THE THIRD ANGLE 第三角法	TYPE 型式	803/cbv3/c24398e	CAB. NO.	
PRINTED IN JAPAN 不許複製 様式 NCAZ. CZZ					

													REVISION 改訂										
													REV. MARK	DATE	CONTENTS	REVISION	APPD.						
													△	日付	改訂内容	改訂	承認						
34	HEXAGON BOLT	SUS304	3					28	BRACKET	SUS304	1			21	WASHERS	SUS304	2						
35	SPRING WASHERS	SUS304	3					29	E/P POSITIONER	—	1	SSS		22	HEXAGON BOLT	SUS304	4						
36	NAME PLATE	SUS304	1					30	INDICATOR SCALE	SUS304	1			23	SPRING WASHERS	SUS304	4						
37	BALL CHAIN	SUS304	1	φ3.2				31	INDICATOR	SUS304	1			24	MANUAL OVERRIDE	—	1	ELOMATIC					
38	CONNECTER	SUS304	1					32	CAP BOLT	SUS304	4			25	HEXAGON BOLT	SUS304	4						
39	KEY	SUS304	1					33	SPRING WASHERS	SUS304	4			26	SPRING WASHERS	SUS304	4						
														27	ACTUATOR	—	1	ELOMATIC					

DATA SHEET for TEST PRESSURE.



Note  
 1) The character which shows Flange Connection Standard is on #1.  
 (i.e. J: JIS 10K  
 A: ANSI 150  
 D: DIN PN 10)  
 2) Cv Value goes into #2.



20	SPRING WASHERS	SUS304	2		
19	HEXAGON BOLT	SUS304	2		
18	SPRING WASHERS	SUS304	4		
17	HEXAGON BOLT	SUS304	4		
16	CAP BOLT	SUS304	4~8		
15	ORING	FKM	2		
14	ORING	FKM	1		
13	ORING	FKM	1		
12	JOINT	SUS304	1		
11	YOKE	SCS13	1		
10	SHEET PACKING	PTFE	2		
9	GLAND FLANGE	SUS304	1		
8	GLAND BUSH	C-PTFE	1		
7	PACKING BOX	C-PTFE	1		
6	STEM	TaB-H	1		
5	FLANGE	SCS13	1		
4	CYLINDER	SCS13	1		
3	BALL	CERAMICS	1	Al 20 3	
2	SOCKET	CERAMICS	1	Al 20 3	
1	BODY	CERAMICS	1	Al 20 3	

PART NO.	NAME OF PARTS	MATERIAL	Q'TY	REMARK	G.T. NO.
片番	部品名	材質	個数	備考	

MATERIAL LIST 材料表					
DATE	01.23.09	TEST PRESSURE	MPa	HYDRO	MPa
SCALE	FREE	TEST PRESSURE	SHELL	水圧	空気 AIR
APPD.		TEST PRESSURE	SEAT		
CHKD.		TEST PRESSURE	BACK SEAT		
DESIGN		TEST PRESSURE	SEAL		

NOMINAL SIZE	JIS 10K														ANSI 150				DIN PN10				ITEM No.				
	A	B	A	B	D	L	L1	L2	F	G	H	I	J	P	R	C	K	N	W	C	K	N		W	C	K	N
50	2	44	94	155	120	57	63	1.5	118	537	267	160	157	200	120	4	M16	16	120.7	4	UNC 5/8	16	125	4	M16	16	CBV3R-ES#11-E#2-M-FKM
65	2 1/2	56	104	175	140	67	73	1.5	143	583	360	160	223	300	140	4	M16	16	140	4	UNC 5/8	16	145	4	M16	16	CBV3R-ES#1J-E#2-M-FKM
80	3	72	124	199	164.5	80	84.5	1.5	143	600	360	160	223	300	150	8	M16	16	152.4	4	UNC 5/8	16	160	8	M16	16	CBV3R-ES#1K-E#2-M-FKM
100	4	89	148	229	193.5	95	98.5	1.5	181	693	387	170	261	300	175	8	M16	16	190.5	8	UNC 5/8	16	180	8	M16	16	CBV3R-ES#1M-E#2-M-FKM
150	6	134	212	310	250	121.5	128.5	2.5	259	854	517	195	298	400	240	8	M20	19	241.3	8	UNC 3/4	19	240	8	M20	19	CBV3R-ES#10-E#2-M-FKM

CAREER 来歴	呼び番号 対比表	呼び径 (A呼称)		呼び径 (B呼称)		鋼管外径 (mm)														
		6	8	10	15	20	25													
		3/8	1/2	3/4	1	1 1/4	1 1/2													
		10.5	13.8	17.3	21.7	27.2	34.0	42.7	48.6	60.5	76.3	89.1	101.6	114.3	139.8	165.2	190.7	216.3	241.8	267.4

RECIPIENT  
納入先

ITEM NO.  
品番 CBV3R-ES #1 1~0-E #2 -TA-M-FKM TYPE

TRADEMARK OR  
商標又は  
TRADE NAME  
商品名 COSMIX ®

NAME  
名 稱 FINE CERAMICS SPRING BACK  
SIGNAL TO OPEN EQ% TYPE BALL VALVES  
WITH E/P POSITIONER

DRG. NO.  
図 番

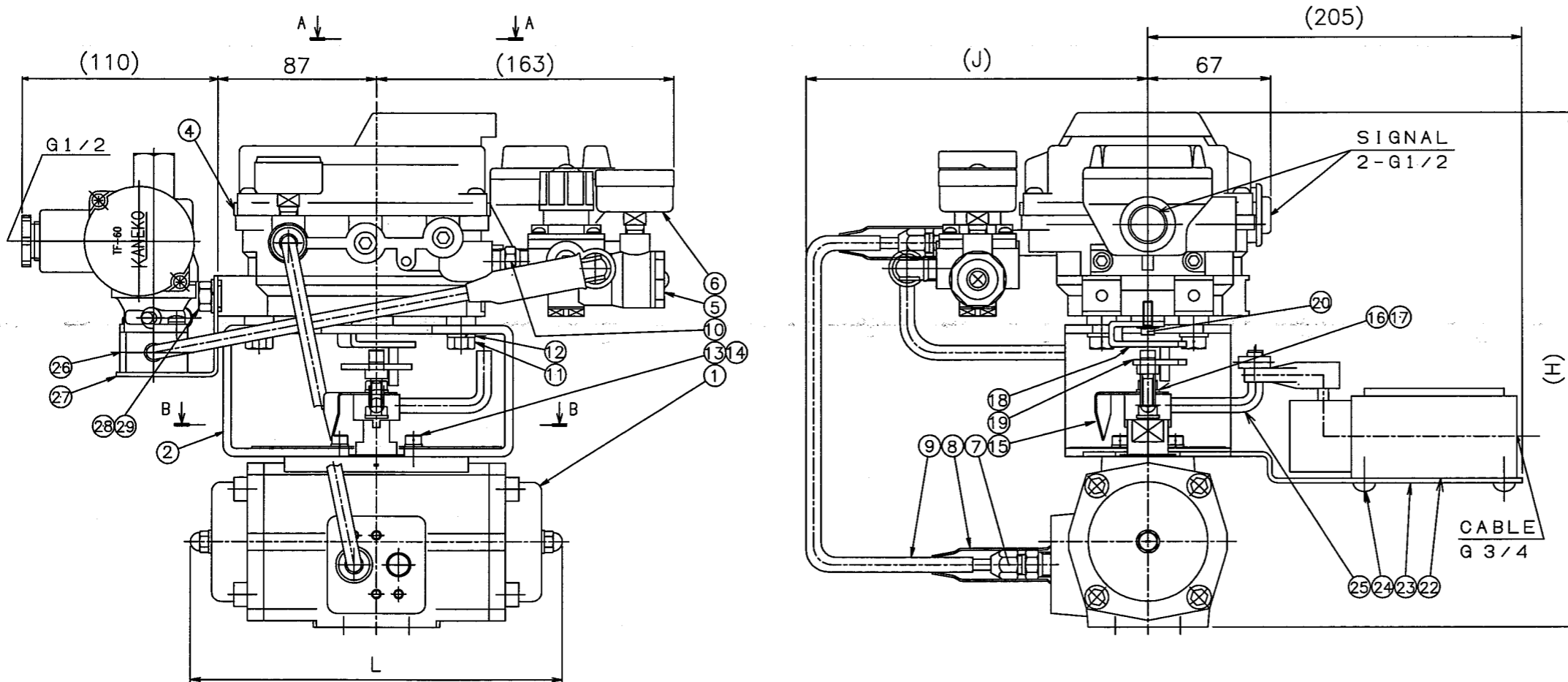
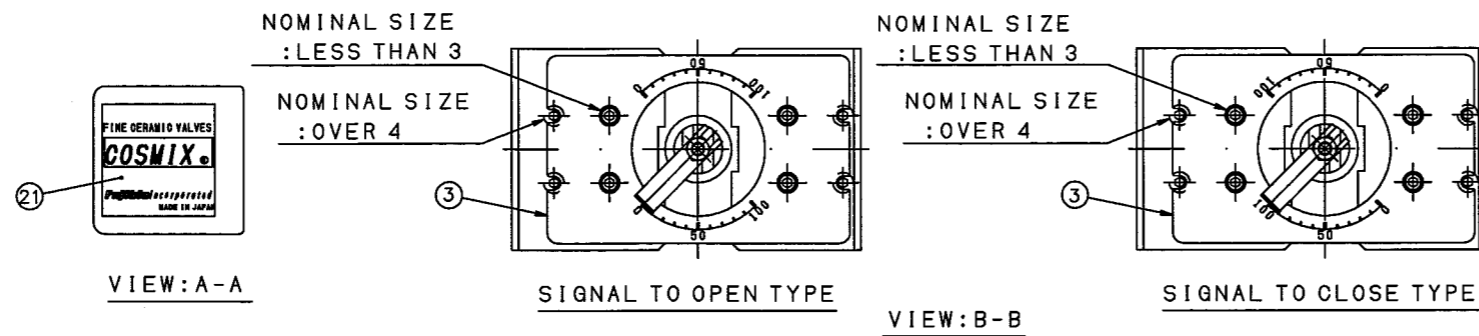
REV. MARK  
改 訂

Fujikin Incorporated  
株式会社 フジキン

UNIT (mm)	THE THIRD ANGLE 第三角法	TYPE 型式	CAB. NO.
		803/cbv3/c24664e	

26	SOLENOID VALVE	—	1			22	LIMIT SWITCH	—	1		
27	BRACKET	SUS304	1			23	BRACKET	SUS304	1		
28	HEXAGON BOLT	SUS304	2			24	BOLT	SUS304	4		
29	SPRING WASHERS	SUS304	2			25	DOG	SUS304	1		

REV. MARK		DATE	REVISION CONTENTS	REVISION	APPD.
日付	改訂内容	改訂	承認		
①					
②					
③					
④					



NOMINAL SIZE	ITEM No.				
	A	B	L	(H)	(J)
15	1/2	172	268	160	CBV3-ESD-AS-LD-V-FKM
20	3/4	204	281	160	CBV3-ESE-AS-LD-V-FKM
25	1	204	281	160	CBV3-ESF-AS-LD-V-FKM
40	1 1/2	267	306	160	CBV3-ESH-AS-LD-V-FKM
50	2	267	306	160	CBV3-ESI-AS-LD-V-FKM
65	2 1/2	360	331	160	CBV3-ESJ-AS-LD-V-FKM
80	3	360	331	160	CBV3-ESK-AS-LD-V-FKM
100	4	387	369	160	CBV3-ESM-AS-LD-V-FKM
150	6	517	470	195	CBV3-ES0-AS-LD-V-FKM

REMARK	備考	Q'TY	REMARK	備考	G. T. NO.
21	LABEL	—	1		
20	HEXAGON BOLT WITH WASHER	SUS304	1	SSS	
19	LEVER B	SUS304	1	SSS	
18	LEVER A	SUS304	1	SSS	
17	SPRING WASHERS	SUS304	1		
16	HEXAGON NUT	SUS304	1		
15	INDICATOR	SUS304	1		
14	SPRING WASHERS	SUS304	4		
13	CAP BOLT	SUS304	4		
12	SPRING WASHERS	SUS304	3		
11	HEXAGON BOLT	SUS304	3		
10	JOINT	SUS304 or SCS13	1		
9	TUBE	—	2		
8	CAP	PVC	4		
7	R JOINT	—	4		
6	GAUGE	—	1		
5	REGULATOR	—	1	SSS	
4	E/P POSITIONER	—	1	SSS	
3	INDICATOR SCALE	SUS304	1		
2	BRACKET	SUS304	1		
1	ACTUATOR	—	1	ELOMATIC	

MATERIAL LIST			
材料表			
DATE	SCALE	TEST	HYDRO
日付	尺 寸	試 験	水 圧
	FREE	TEST PRESSURE	GN 2
		SEAT	空気 AIR
		BACK SEAT	
		SEAL	
		気 密	

RECIPIENT	納入先	
ITEM NO.	品 番	CBV3-ESD~0-AS-LD-V-FKM TYPE
TRADEMARK OR TRADE NAME	商 標 又 は 商 品 名	COSMIX®
NAME	名 称	SPRING BACK TYPE ACTUATOR WITH E/P POSITIONER & REGULATOR & LIMIT SWITCH & SOLENOID VALVE OVERALL DIMENSIONS
DRG. NO.	図 番	
		REV. MARK 改 訂 ①

Fujikin Incorporated  
株式会社 フジキン

CAREER	来 歴	呼び番号 対比表	呼び径 (A呼称)	6	8	10	15	20	25	32	40	50	65	80	90	100	125	150	175	200	225	250	UNIT (mm)	THE THIRD ANGLE 第三角法	TYPE 型式	CAB. NO.
			呼び径 (B呼称)	1/8	1/4	3/8	1/2	3/4	1	1 1/4	1 1/2	2	2 1/2	3	3 1/2	4	5	6	(7)	8	(9)	10				
			鋼管外径 (mm)	10.5	13.8	17.3	21.7	27.2	34.0	42.7	48.6	60.5	76.3	89.1	101.6	114.3	139.8	165.2	190.7	216.3	241.8	267.4				