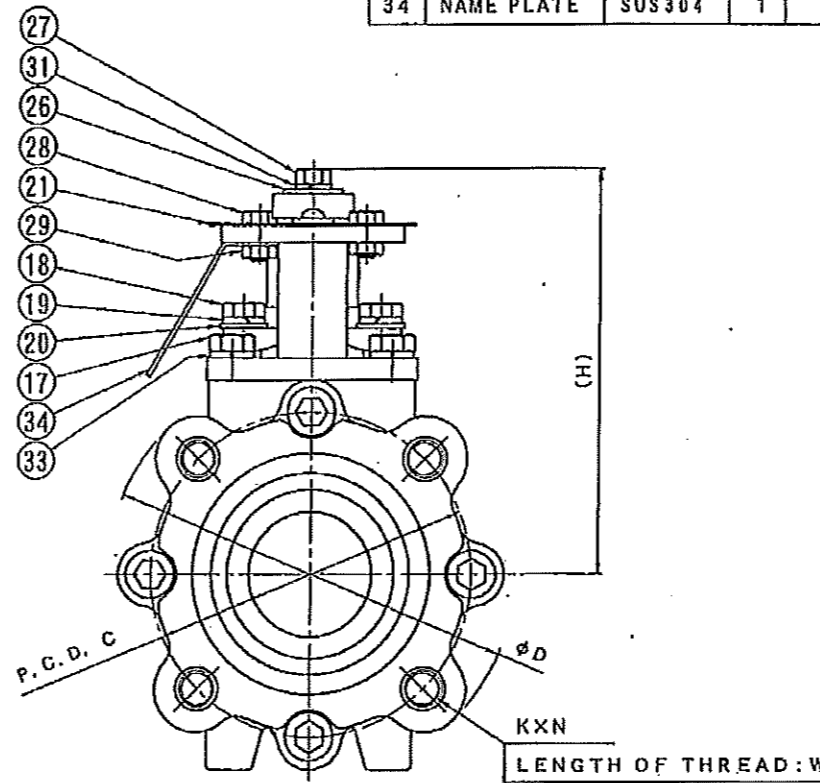
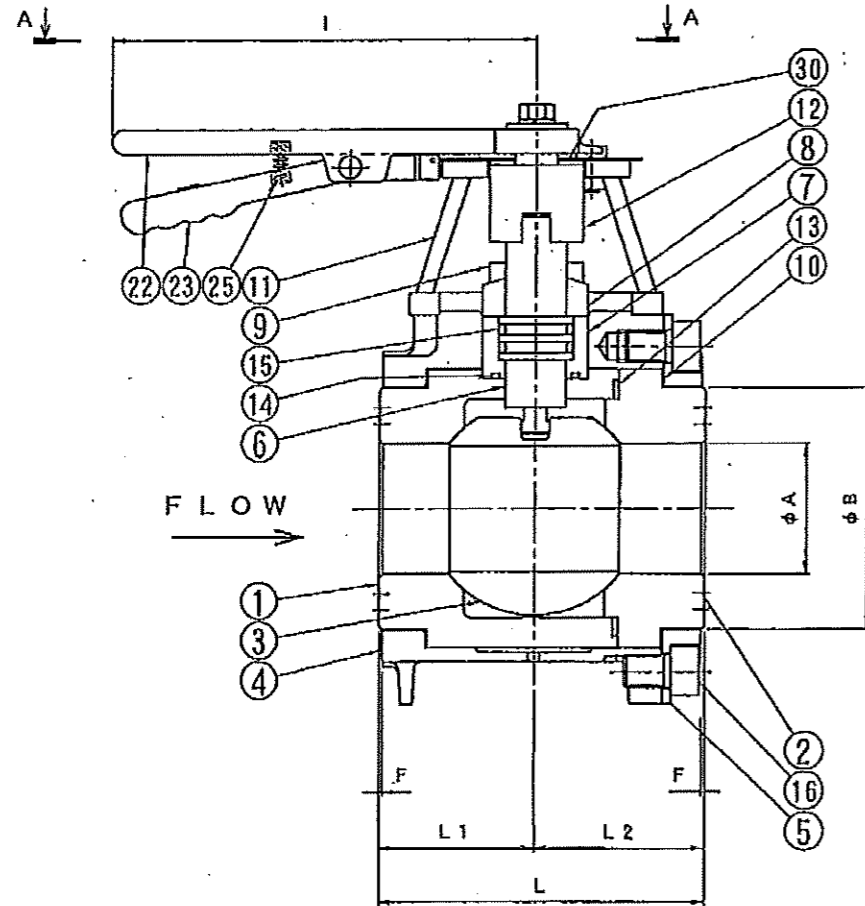


VIEW A-A



Note
 1) The character which shows Flange Connection Standard is on※1.
 (i.e. J: JIS 10K
 A: ANSI 150
 D: DIN PN 10)
 2) Cv Value goes into ※2. (UNIT: mm)

NOMINAL SIZE		JIS 10K										ANSI 150				DIN PN10				ITEM No.	MASS Approx (kg)			
A	B	A	B	D	L	L1	L2	F	H	I	C	K	N	W	C	K	N	W	C			K	N	W
25	1	23	56	125	85	39	46	1.5	143	176	90	4	M16	13	79.3	4	UNC 1/2	13	85	4	M12	13	CBV3-※1F-O24-DYV	5.5
40	1 1/2	36	76	140	111	50	61	1.5	158	182	105	4	M18	16	98.6	4	UNC 1/2	13	110	4	M16	16	CBV3-※1H-O55-DYV	8.5
50	2	44	84	155	120	57	63	1.5	164	182	120	4	M18	16	120.7	4	UNC 3/8	16	125	4	M16	16	CBV3-※1J-O90-DYV	11
65	2 1/2	56	104	175	140	67	73	1.5	172	182	140	4	M16	15	140	4	UNC 5/8	15	146	4	M16	15	CBV3-※1K-O130-DYV	17
80	3	72	124	199	164.5	80	84.5	1.5	179	182	150	8	M16	16	152.4	4	UNC 5/8	16	160	8	M16	16	CBV3-※1K-O195-DYV	24

CAREER
 米 歴

呼び番号
 対比表

呼び径 (A呼称)	6	8	10	15	20	25	32	40	50	65	80	90	100	125	150	(175)	200	(225)	250
呼び径 (B呼称)	1/8	1/4	3/8	1/2	3/4	1	1 1/4	1 1/2	2	2 1/2	3	3 1/2	4	5	6	(7)	8	(9)	10
筒径外径 (mm)	10.5	13.8	17.3	21.7	27.2	34.0	42.7	48.6	60.5	76.3	89.1	101.6	114.3	139.8	165.2	193.7	216.3	241.8	262.4

UNIT (mm) THE THIRD ANGLE 第三角法

TYPE 型式 803/cbv3/c24682e

CAD. NO.

				REVISION 改訂			
REV. MARK	DATE 日 付	CONTENTS 改訂内容	REVISION 改訂承認	APPD.			
△	7.17.'08	Configuration change of O ring part in body.	H. Maeda	K. Oishi			
△							
△							
△							
REMARK 備考 Please refer to CONTROL VALVE							
DATA SHEET for TEST PRESSURE.							
20	WASHERS	SUS304	2				
19	SPRING WASHERS	SUS304	2				
18	HEXAGON BOLT	SUS304	2				
17	HEXAGON BOLT	SUS304	4				
16	CAP BOLT or BOLT	SUS304	4~8				
15	O RING	FPM	2				
14	O RING	FPM	1				
13	O RING	FPM	1				
12	JOINT	SUS304	1				
11	YOKE	SCS13 or SUS304	1				
10	SHEET PACKING	PTFE	2				
9	GLAND FLANGE	SCS13	1				
8	GLAND BUSH	C-PTFE	1				
7	PACKING BOX	C-PTFE	1				
6	STEM	N06022	1	(HASTELLOY C-22)			
5	FLANGE	SCS13	1				
4	CYLINDER	SCS13	1				
3	BALL	CERAMICS	1	Al ₂ O ₃			
2	SOCKET	CERAMICS	1	Al ₂ O ₃			
1	BODY	CERAMICS	1	Al ₂ O ₃			

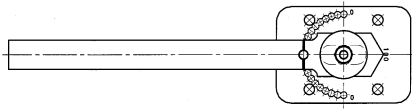
PART NO.	NAME OF PARTS	MATERIAL	Q'TY	REMARK	G. T. NO.
14	O RING	FPM	1		
13	O RING	FPM	1		
12	JOINT	SUS304	1		
11	YOKE	SCS13 or SUS304	1		
10	SHEET PACKING	PTFE	2		
9	GLAND FLANGE	SCS13	1		
8	GLAND BUSH	C-PTFE	1		
7	PACKING BOX	C-PTFE	1		
6	STEM	N06022	1	(HASTELLOY C-22)	
5	FLANGE	SCS13	1		
4	CYLINDER	SCS13	1		
3	BALL	CERAMICS	1	Al ₂ O ₃	
2	SOCKET	CERAMICS	1	Al ₂ O ₃	
1	BODY	CERAMICS	1	Al ₂ O ₃	

MATERIAL LIST 材料表			
DATE 日 付	12.10.'07	TEST 試験	HYDRO 水圧
SCALE 尺 寸	FREE	RESISTANCE 耐圧	AIR 空気
APPD. 承認	K. Oishi	SEAT 座	
CHKD. 検査	H. Maeda	BACK SEAT 逆座	
DESIGN 設計	H. Nasu	SEAL 密封	

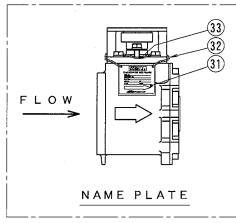
RECIPIENT 納入先	
ITEM NO. 品番	CBV3-※1F~K-O※2
TRADEMARK OR TRADE NAME 商標又は商号名	COSMIX®
NAME 名称	FINE CERAMICS MANUAL OPERATE ON-OFF TYPE BALL VALVES
DRG. NO. 図番	C24682E
REV. MARK 改訂	1

Fujikin Incorporated
 株式会社 フジキン
 PRINTED IN JAPAN 不詳複製 株式会社 NCAZ. C22

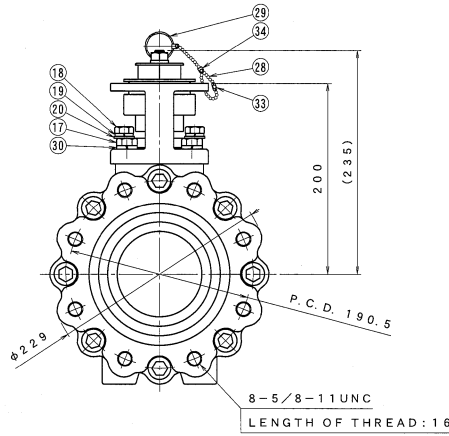
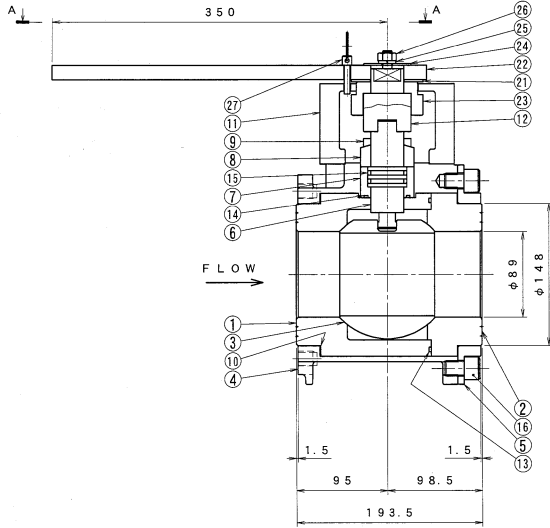
SAMPLE



VIEW A-A



NAME PLATE



Note
1) MASS: Approx. 35.5 (kg)

21	SPACER	SUS304	1		
22	HAND LEVER	AC2A	1		
23	ADAPTER	SUS304	1		
24	WASHER	SUS304	1		
25	SPRING WASHERS	SUS304	1		
26	HEXAGON NUT	SUS304	1		
27	PIN	SUS304	1		
28	BALL CHAIN	SUS304	2	φ3.2	
29	KEY RING	SUS304	1		
30	SPRING WASHERS	SUS304	4		
31	NAME PLATE	SUS304	1		
32	BALL CHAIN	SUS304	1	φ3.2	
33	CONNECTER	SUS304	2	Size 3.2	
34	CONNECTER	SUS304	2	Size 3.2	

REVISION		訂		訂		訂	
REV. MARK	DATE	CONTENTS	改訂内容	改訂内容	改訂内容	改訂内容	改訂内容
△							
△							
△							
△							
Please refer to CONTROL VALVE DATA SHEET for TEST PRESSURE.							
20	WASHERS	SUS304	2				
19	SPRING WASHERS	SUS304	2				
18	HEXAGON BOLT	SUS304	2				
17	HEXAGON BOLT	SUS304	4				
16	CAP BOLT BOLT	SUS304	8				
15	ORING	FKM	2				
14	ORING	FKM	1				
13	ORING	FKM	1				
12	JOINT	SUS304	1				
11	YOKE	SCS13	1				
10	SHEET PACKING	PTFE	2				
9	GLAND FLANGE	SCS13	1				
8	GLAND BUSH	C-PTFE	1				
7	PACKING BOX	C-PTFE	1				
6	STEM	N06022	1	(HASTELLOY C-22)			
5	FLANGE	SCS13	1				
4	CYLINDER	SCS13	1				
3	BALL	CERAMICS	1	Al ₂ O ₃			
2	SOCKET	CERAMICS	1	Al ₂ O ₃			
1	BODY	CERAMICS	1	Al ₂ O ₃			

MATERIAL LIST			
PART NO.	NAME OF PARTS	MATERIAL	Q.TY
片番	部 品 名	材 質	個 数
材 料 表			
DATE	01.08.'09	SCALE	FREE
尺 寸	MPa	材 質	水 圧 空 気 AIR
APPD.	K. Oishi	SEAT	
承 認	K. Oishi	BACK SEAT	
CHKD.	K. Oishi	SEAL	
設 計	H. Naru		
RECIPIENT	納入先		
ITEM NO.	CBV3-AM-0340-FKJ		
TRADE MARK OR 商 標 名	COSMIX®		
NAME 名 称	FINE CERAMICS MANUAL OPERATE ON-OFF TYPE BALL VALVE		
DRG. NO. 図 番	C24715E	REV. MARK 改 訂	0
Fujikin Incorporated 株式会社 フジキン			

CAREER 来 歴		呼び径 (A呼び)	6	8	10	15	20	25	32	40	50	65	80	100	125	150	175	200	225	250	
		呼び径 (B呼び)	1/8	1/4	3/8	1/2	3/4	1	1 1/4	1 1/2	2	2 1/2	3	3 1/2	4	5	6	7	8	9	10
		鋼管外径 (mm)	10.5	13.8	17.3	21.7	27.3	34.0	42.7	48.6	60.5	76.3	89.1	101.6	114.3	138.8	165.2	190.7	216.3	241.8	267.4

UNIT (mm)	THE THIRD ANGLE 第三角法	TYPE 型 式	803/cbv3/c24715e	CAB. NO.	
-----------	----------------------	----------	------------------	----------	--