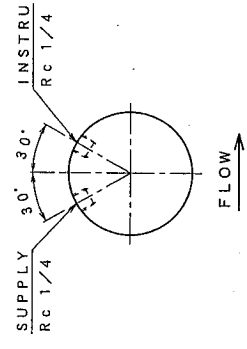
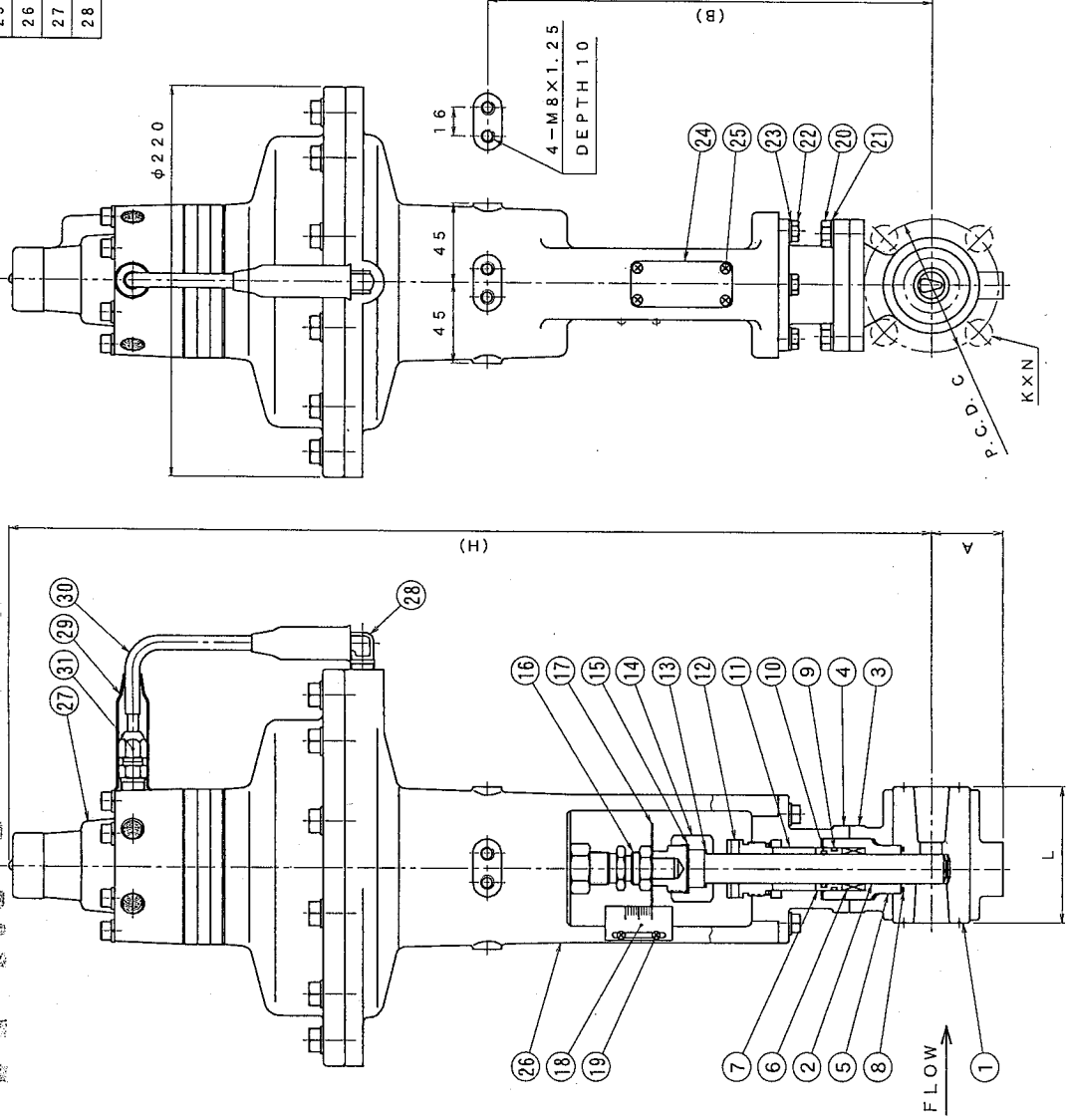


SAMPLE



PORT ORIENTATION
VIEW 'A'

Note
1) Flange Connection conforms to the following Standard.
- JIS 10K, 20K
- ANSI 150, 300
- DIN PN 10, 16
2) Cv Value goes into ※1.

(UNIT: mm)

SIZE	JIS 10K, 20K			ANSI 150			ANSI 300			DIN PN10, 16			
	C	K	N	C	K	N	C	K	N	C	K	N	
15	70	4	M12 60.5	4	UNC 1/2 66.6	4	UNC 1/2 66.6	4	UNC 1/2 66.6	4	M12 65	4	M12 CP-D-※1
20	75	4	M12 69.9	4	UNC 1/2 82.6	4	UNC 1/2 82.6	4	UNC 1/2 82.6	4	M12 75	4	M12 CP-E-※1
25	90	4	M16 79.3	4	UNC 1/2 88.9	4	UNC 1/2 88.9	4	UNC 1/2 88.9	4	M12 85	4	M12 CP-F-※1

CARRIER	TYPE	UNIT (mm)		THE THIRD ANGLE	FORM
		UNIT (mm)	第三角法		
803/cm2/c191496	803/cm2/c191496	803	cm2/c191496	第三角法	FORM

REV. NO.	DATE	CONTENTS	REVISION APPD.
△			
△			
△			
△			

REV. NO.	DATE	CONTENTS	REVISION APPD.
△			
△			
△			
△			

REV. NO.	DATE	CONTENTS	REVISION APPD.
△			
△			
△			
△			

REV. NO.	DATE	CONTENTS	REVISION APPD.
△			
△			
△			
△			

REV. NO.	DATE	CONTENTS	REVISION APPD.
△			
△			
△			
△			

REV. NO.	DATE	CONTENTS	REVISION APPD.
△			
△			
△			
△			

REV. NO.	DATE	CONTENTS	REVISION APPD.
△			
△			
△			
△			

REV. NO.	DATE	CONTENTS	REVISION APPD.
△			
△			
△			
△			

REV. NO.	DATE	CONTENTS	REVISION APPD.
△			
△			
△			
△			

REV. NO.	DATE	CONTENTS	REVISION APPD.
△			
△			
△			
△			

REV. NO.	DATE	CONTENTS	REVISION APPD.
△			
△			
△			
△			

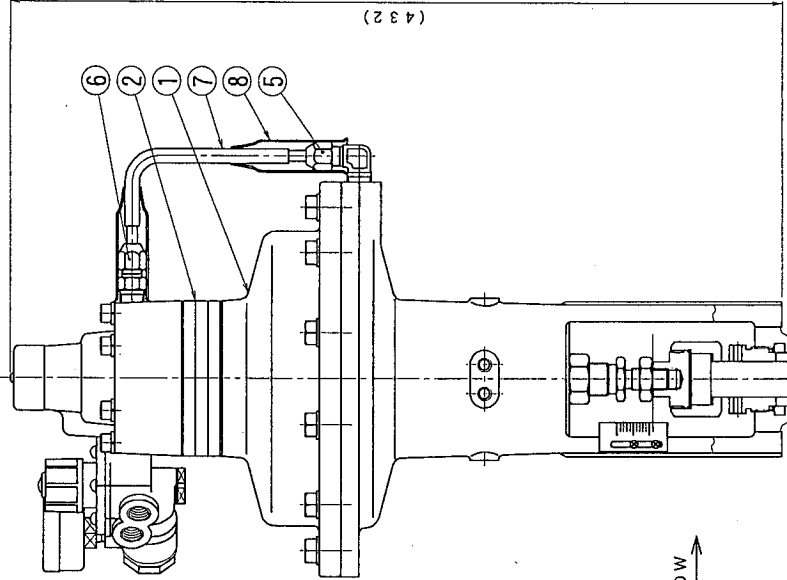
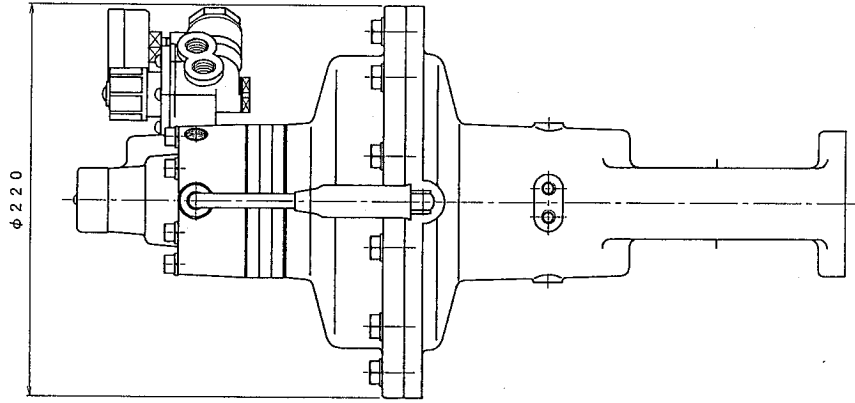
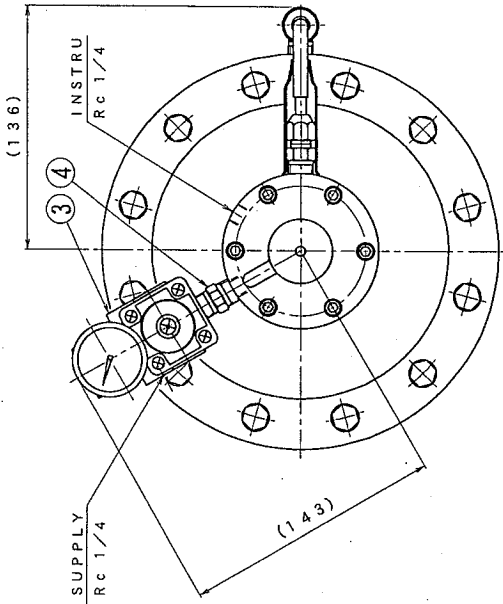
REV. NO.	DATE	CONTENTS	REVISION APPD.
△			
△			
△			
△			

REV. NO.	DATE	CONTENTS	REVISION APPD.
△			
△			
△			
△			

REV. NO.	DATE	CONTENTS	REVISION APPD.
△			
△			
△			
△			

REV. NO.	DATE	CONTENTS	REVISION APPD.
△			
△			
△			
△			

SAMPLE



REVISION 訂 改		CONTENTS 改 訂 内 容		REVISION APPD. 改 訂 承 認	
REV. MARK	DATE 日 付				
△					
△					
△					
△					

REMARK 備 考

NO.	PARTS NAME	MATERIAL	QTY	REMARK	G. T. NO.
15					
14					
13					
12					
11					
10					
9					
8	CAP	PVC	2		
7	TUBE		1		
6	R JOINT		1	RH-6B	
5	R JOINT		1	RL-6B	
4	JOINT	SUS 304 DF.SCS 13	1	R 1/4	
3	REGULATOR		1	SSS	
2	POSITIONER		1	SIEMENS 73N-B1	
1	ACTUATOR		1		

MATERIAL LIST 材 料

DATE 日 付	5.12.06	TEST 試 験	HYDRO 水 圧
SCALE 尺 寸	FREE	SHELL 外 殻	AIR 空 気
APPD. 承認	K. D. 20	SEAT 膜	
CHKD. 審査	H. M. 20	BACK SEAT 逆 膜	
DESIGN 設 計	H. M. 20	SEAL 力 座	
RECIPIENT 納入先			

ITEM NO. 品 番	CP-D~F-AS TYPE
TRADE MARK OR 商 標 名	COSMIX ®
TRADE NAME 商 品 名	SPRING BACK TYPE ACTUATOR WITH P/P POSITIONER & REGULATOR
NAME 名 称	
ORG. NO. 回 番	C19144E
REV. MARK 改 訂	0

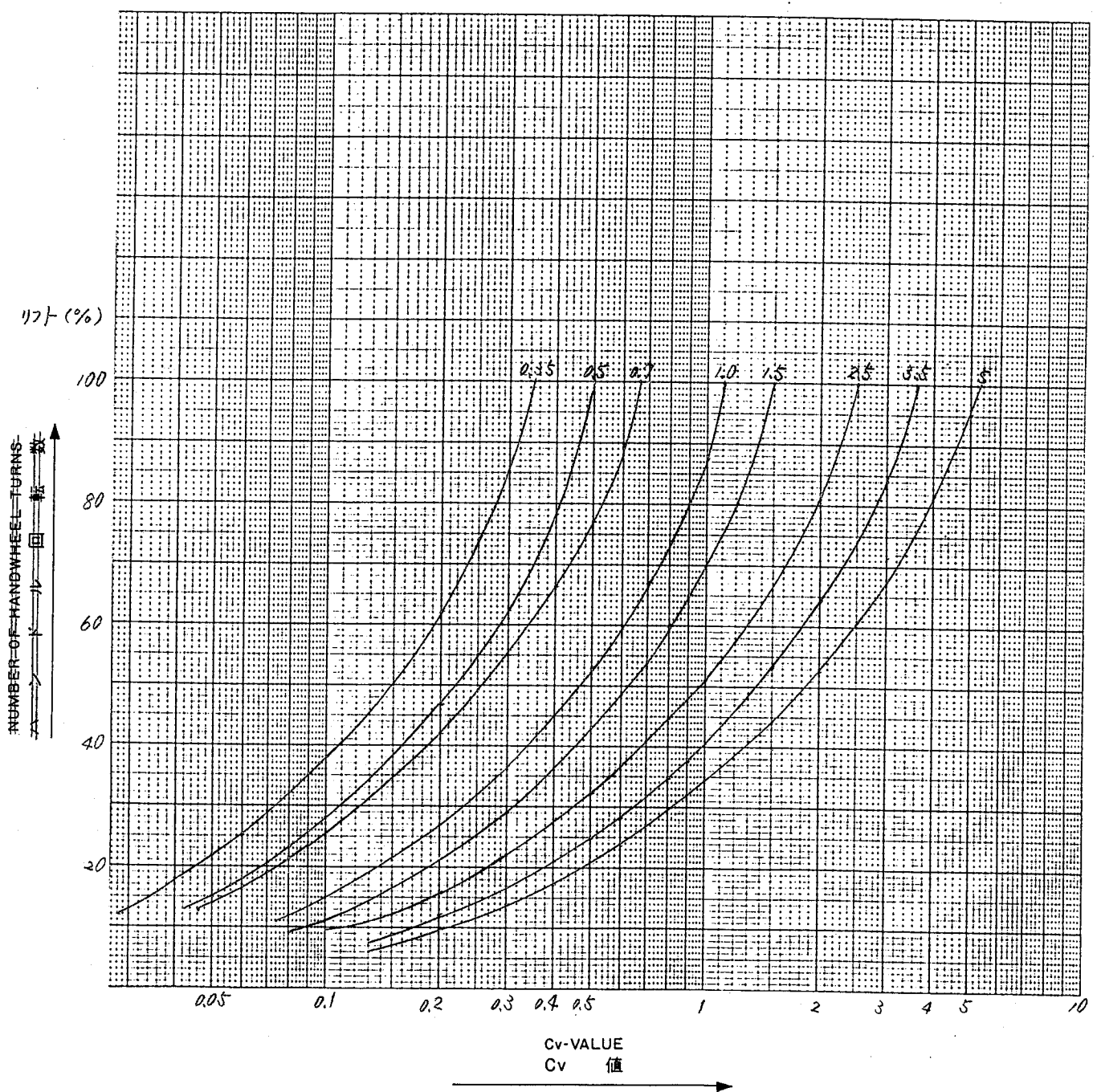
Fujikin Incorporated
株式会社 フジキン

CAREER 承 認		TYPE 式 型	803/cm2/c19144E	CAR. NO.	
呼び径 (A呼び)	6	UNIT (mm)			
呼び径 (B呼び)	8	THE THIRD ANGLE 第三角法			
鋼管外径 (mm)	10.5 13.8 17.3 21.7 27.1 34.0 42.7 53.0 66.0 82.0 101.6 127.0 160.0 203.2 254.0 317.5 391.0 476.4 574.0 683.0 803.0 934.8 1079.5 1238.2 1410.0 1595.8 1795.5 2009.2 2236.8 2478.4 2735.0 3006.6 3293.2 3595.8 3914.4 4249.0 4599.6 4966.2 5348.8 5747.4 6162.0 6592.6 7039.2 7501.8 7980.4 8476.0 8988.6 9518.2 10064.8 10628.4 11209.0 11806.6 12421.2 13052.8 13700.4 14364.0 15043.6 15739.2 16450.8 17178.4 17922.0 18681.6 19457.2 20248.8 21056.4 21880.0 22719.6 23575.2 24446.8 25334.4 26238.0 27157.6 28093.2 29044.8 29912.4 30796.0 31695.6 32611.2 33542.8 34489.4 35451.0 36427.6 37419.2 38425.8 39447.4 40484.0 41535.6 42592.2 43654.8 44732.4 45825.0 46932.6 48045.2 49162.8 50295.4 51443.0 52595.6 53763.2 54945.8 56143.4 57356.0 58583.6 59826.2 61083.8 62356.4 63644.0 64946.6 66264.2 67596.8 68944.4 70307.0 71684.6 73077.2 74484.8 75902.4 77330.0 78767.6 80215.2 81673.8 83142.4 84621.0 86109.6 87608.2 89116.8 90635.4 92164.0 93702.6 95251.2 96810.8 98380.4 99950.0 101529.6 103119.2 104718.8 106328.4 107948.0 109577.6 111217.2 112866.8 114526.4 116196.0 117875.6 119565.2 121264.8 122974.4 124694.0 126423.6 128163.2 129912.8 131672.4 133442.0 135221.6 137011.2 138810.8 140620.4 142440.0 144269.6 146109.2 147958.8 149818.4 151688.0 153567.6 155457.2 157356.8 159266.4 161186.0 163115.6 165055.2 167004.8 168964.4 170934.0 172913.6 174903.2 176902.8 178912.4 180932.0 182961.6 185001.2 187050.8 189109.4 191178.0 193256.6 195345.2 197443.8 199552.4 201671.0 203799.6 205938.2 208086.8 210245.4 212414.0 214592.6 216781.2 218979.8 221188.4 223397.0 225615.6 227844.2 230082.8 232331.4 234580.0 236838.6 239107.2 241385.8 243674.4 245973.0 248281.6 250590.2 252908.8 255237.4 257576.0 259924.6 262283.2 264651.8 267030.4 269419.0 271817.6 274226.2 276644.8 279073.4 281512.0 283960.6 286419.2 288887.8 291366.4 293855.0 296353.6 298862.2 301380.8 303909.4 306448.0 308996.6 311555.2 314123.8 316702.4 319291.0 321889.6 324498.2 327116.8 329745.4 332384.0 335032.6 337691.2 340359.8 343038.4 345727.0 348425.6 351134.2 353852.8 356581.4 359320.0 362068.6 364827.2 367595.8 370374.4 373163.0 375961.6 378770.2 381588.8 384417.4 387256.0 390104.6 392963.2 395831.8 398710.4 401609.0 404527.6 407456.2 410394.8 413343.4 416302.0 419270.6 422249.2 425237.8 428236.4 431245.0 434263.6 437292.2 440330.8 443379.4 446438.0 449506.6 452585.2 455673.8 458772.4 461881.0 464999.6 468128.2 471266.8 474415.4 477574.0 480742.6 483921.2 487109.8 490308.4 493517.0 496735.6 499964.2 503202.8 506451.4 509709.0 512976.6 516254.2 519541.8 522839.4 526147.0 529464.6 532792.2 536129.8 539477.4 542835.0 546192.6 549550.2 552917.8 556295.4 559683.0 563080.6 566488.2 569905.8 573333.4 576771.0 580218.6 583676.2 587143.8 590621.4 594109.0 597606.6 601114.2 604631.8 608159.4 611697.0 615244.6 618802.2 622369.8 625947.4 629535.0 633132.6 636740.2 640357.8 643985.4 647623.0 651270.6 654928.2 658595.8 662273.4 665961.0 669668.6 673386.2 677113.8 680851.4 684599.0 688356.6 692124.2 695901.8 699689.4 703487.0 707294.6 711112.2 714939.8 718777.4 722625.0 726482.6 730350.2 734227.8 738115.4 742013.0 745920.6 749838.2 753765.8 757703.4 761651.0 765608.6 769576.2 773553.8 777541.4 781539.0 785546.6 789564.2 793591.8 797629.4 801677.0 805734.6 809802.2 813879.8 817967.4 822065.0 826172.6 830280.2 834397.8 838525.4 842663.0 846810.6 850968.2 855135.8 859313.4 863501.0 867698.6 871906.2 876123.8 880351.4 884589.0 888836.6 893094.2 897361.8 901639.4 905927.0 910224.6 914532.2 918849.8 923177.4 927515.0 931862.6 936220.2 940587.8 944965.4 949353.0 953750.6 958158.2 962575.8 967003.4 971441.0 975888.6 980346.2 984813.8 989291.4 993779.0 998276.6 1002784.2 1007301.8 1011829.4 1016367.0 1020914.6 1025472.2 1030039.8 1034617.4 1039205.0 1043802.6 1048410.2 1053027.8 1057655.4 1062293.0 1066940.6 1071598.2 1076265.8 1080943.4 1085631.0 1090328.6 1095036.2 1099753.8 1104481.4 1109219.0 1113966.6 1118724.2 1123491.8 1128269.4 1133057.0 1137854.6 1142662.2 1147479.8 1152307.4 1157145.0 1161992.6 1166850.2 1171717.8 1176595.4 1181483.0 1186380.6 1191288.2 1196205.8 1201133.4 1206071.0 1211018.6 1215976.2 1220943.8 1225921.4 1230909.0 1235906.6 1240914.2 1245931.8 1250959.4 1255997.0 1261044.6 1266102.2 1271169.8 1276347.4 1281535.0 1286732.6 1291940.2 1297157.8 1302385.4 1307623.0 1312870.6 1318128.2 1323395.8 1328673.4 1333961.0 1339258.6 1344566.2 1349883.8 1355211.4 1360549.0 1365896.6 1371354.2 1376821.8 1382299.4 1387787.0 1393284.6 1398792.2 1404309.8 1409837.4 1415375.0 1420922.6 1426480.2 1432047.8 1437625.4 1443213.0 1448810.6 1454418.2 1460035.8 1465663.4 1471301.0 1476948.6 1482606.2 1488273.8 1493951.4 1499639.0 1505336.6 1511044.2 1516761.8 1522489.4 1528227.0 1533974.6 1539732.2 1545499.8 1551277.4 1557065.0 1562862.6 1568670.2 1574487.8 1580315.4 1586153.0 1592000.6 1597858.2 1603725.8 1609603.4 1615491.0 1621388.6 1627296.2 1633213.8 1639141.4 1645079.0 1651026.6 1656984.2 1662951.8 1668929.4 1674917.0 1680914.6 1686922.2 1692939.8 1698967.4 1705005.0 1711052.6 1717110.2 1723177.8 1729255.4 1735343.0 1741440.6 1747548.2 1753665.8 1759793.4 1765931.0 1772078.6 1778236.2 1784403.8 1790581.4 1796769.0 1802966.6 1809174.2 1815391.8 1821619.4 1827857.0 1834104.6 1840362.2 1846629.8 1852907.4 1859195.0 1865492.6 1871800.2 1878117.8 1884445.4 1890783.0 1897130.6 1903488.2 1909855.8 1916233.4 1922621.0 1929028.6 1935446.2 1941873.8 1948311.4 1954759.0 1961216.6 1967684.2 1974161.8 1980649.4 1987147.0 1993654.6 1999172.2 2005699.8 2012237.4 2018785.0 2025342.6 2031910.2 2038487.8 2045075.4 2051673.0 2058280.6 2064898.2 2071525.8 2078163.4 2084811.0 2091468.6 2098136.2 2104813.8 2111501.4 2118209.0 2124926.6 2131654.2 2138391.8 2145139.4 2151897.0 2158664.6 2165442.2 2172229.8 2179027.4 2185835.0 2192652.6 2199480.2 2206317.8 2213165.4 2220023.0 2226890.6 2233768.2 2240655.8 2247553.4 2254461.0 2261378.6 2268306.2 2275243.8 2282191.4 2289149.0 2296116.6 2303094.2 2310081.8 2317079.4 2324087.0 2331104.6 2338132.2 2345169.8 2352217.4 2359275.0 2366342.6 2373420.2 2380507.8 2387605.4 2394713.0 2401830.6 2408958.2 2416095.8 2423243.4 2430391.0 2437548.6 2444716.2 2451893.8 2459081.4 2466279.0 2473486.6 2480704.2 2487931.8 2495169.4 2502417.0 2509674.6 2516942.2 2524219.8 2531507.4 2538805.0 2546112.6 2553430.2 2560757.8 2568095.4 2575443.0 2582800.6 2590168.2 2597545.8 2604933.4 2612331.0 2619738.6 2627156.2 2634583.8 2642021.4 2649469.0 2656926.6 2664394.2 2671871.8 2679359.4 2686857.0 2694364.6 2701882.2 2709409.8 2716947.4 2724495.0 2732052.6 2739620.2 2747197.8 2754785.4 2762383.0 2770000.6 2777627.2 2785264.8 2792912.4 2800570.0 2808237.6 2815915.2 2823602.8 2831300.4 2839008.0 2846725.6 2854453.2 2862190.8 2869938.4 2877696.0 2885463.6 2893241.2 2901028.8 2908826.4 2916634.0 2924451.6 2932279.2 2940116.8 2947964.4 2955822.0 2963689.6 2971567.2 2979454.8 2987352.4 2995260.0 3003177.6 3011105.2 3019042.8 3026990.4 3034948.0 3042915.6 3050893.2 3058880.8 3066878.4 3074886.0 3082903.6 3090931.2 3098968.8 3107016.4 3115074.0 3123141.6 3131219.2 3139306.8 3147404.4 3155512.0 3163629.6 3171757.2 3179894.8 3188042.4 3196199.0 3204365.6 3212542.2 3220728.8 3228925.4 3237132.0 3245348.6 3253575.2 3261811.8 3270058.4 3278315.0 3286581.6 3294858.2 3303144.8 3311441.4 3319748.0 3328064.6 3336391.2 3344727.8 3353074.4 3361431.0 3369797.6 3378174.2 3386560.8 3394957.4 3403364.0 3411780.6 3420207.2 3428643.8 3437090.4 3445547.0 3454013.6 3462490.2 3470976.8 3479473.4 3487979.0 3496494.6 3505020.2 3513555.8 3522101.4 3530657.0 3539222.6 3547798.2 3556383.8 3564979.4 3573585.0 3582200.6 3590826.2 3599461.8 3608107.4 3616763.0 3625428.6 3634104.2 3642799.8 3651505.4 3660221.0 3668946.6 3677682.2 3686427.8 3695183.4 3703949.0 3712724.6 3721509.2 3730303.8 3739107.4 3747921.0 3756744.6 3765578.2 3774421.8 3783275.4 3792139.0 3801012.6 3809896.2 3818789.8 3827693.4 3836607.0 3845530.6 3854464.2 3863407.8 3872361.4 3881325.0 3890298.6 3899282.2 3908275.8 3917279.4 3926293.0 3935316.6 3944350.2 3953393.8 3962447.4 3971511.0 3980584.6 3989668.2 3998761.8 4007865.4 4016979.0 4026092.6 4035216.2 4044349.8 4053493.4 4062647.0 4071810.6 4080984.2 4090167.8 4099361.4 4108565.0 4117778.6 4126992.2 4136215.8 4145449.4 4154693.0 4163946.6 4173210.2 4182483.8 4191767.4 4201061.0 4210364.6 4219678.2 4228991.8 4238315.4 4247649.0 4256992.6 4266346.2 4275709.8 4285083.4 4294467.0 4303860.6 4313264.2 4322677.8 4332091.4 4341515.0 4350948.6 4360392.2 4369845.8 4379309.4 4388783.0 4398266.6 4407760.2 4417263.8 4426777.4 4436291.0 4445814.6 4455348.2 4464891.8 4474445.4 4484009.0 4493582.6 4503166.2 4512759.8 4522363.4 4531977.0 4541590.6 4551214.2 4560847.8 4570491.4 4580145.0 4589808.6 4599482.2 4609165.8 4618859.4 4628563.0 4638276.6 4647999.2 4657731.8 4667474.4 4677227.0 4686989.6 4696762.2 4706545.8 4716339.4 4726143.0 4735956.6 4745780.2 4755613.8 4765457.4 4775311.0 4785174.6 4795048.2 4804931.8 4814825.4 4824729.0 4834642.6 4844566.2 4854499.8 4864443.4 4874397.0 4884360.6 4894334.2 4904317.8 4914311.4 4924315.0 4934328.6 4944352.2 4954385.8 4964429.4 4974483.0 4984546.6 4994620.2 5004703.8 5014797.4 5024901.0 5035014.6 5045138.2 5055271.8 5065415.4 5075569.0 5085732.6 5095906.2 5106089.8 5116283.4				

SAMPLE

NO. TD04-940304-01 0

Cv-VALUE CURVE Cv値曲線図



△					DATE 日付	1994.03.04
△					APPROVED 承認	H. Maeda
MARK	DATE	CONTENTS	REVISED	APPD.	CHECKED 確認	M. Makino
		改訂 REVISION				
NAME 品名		ITEM. NO. 品番		DRAWN 作成		
セラミックコントロールバルブ (1/2B)		AD-CM-22D CP-D AD-CM2-22D ADR-CM-22D ADR-CM2-22D		M. Aoki		
REMARK 備考				DRW. NO. 図番	TD04-940304-01	
CAREER 来歴				REV. MARK 改訂	0	
					CAB. NO.	

Fujikin Incorporated
株式会社 **フジキン**®